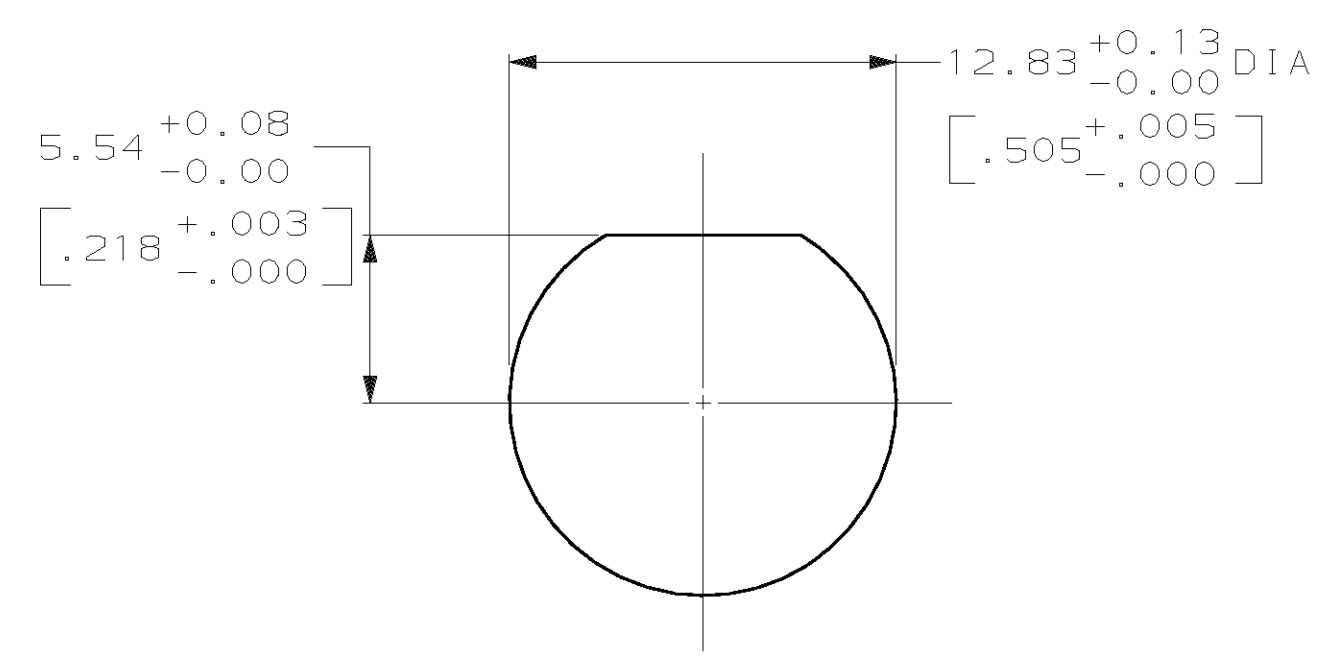
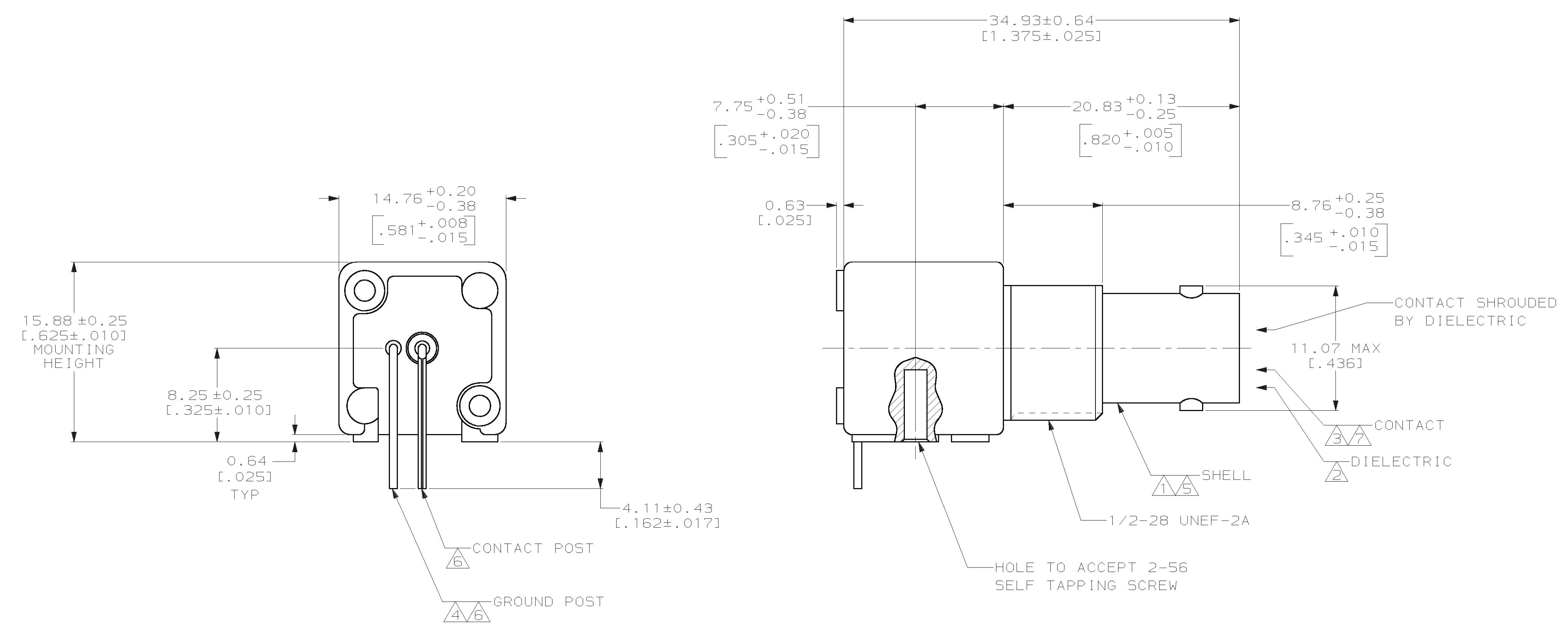
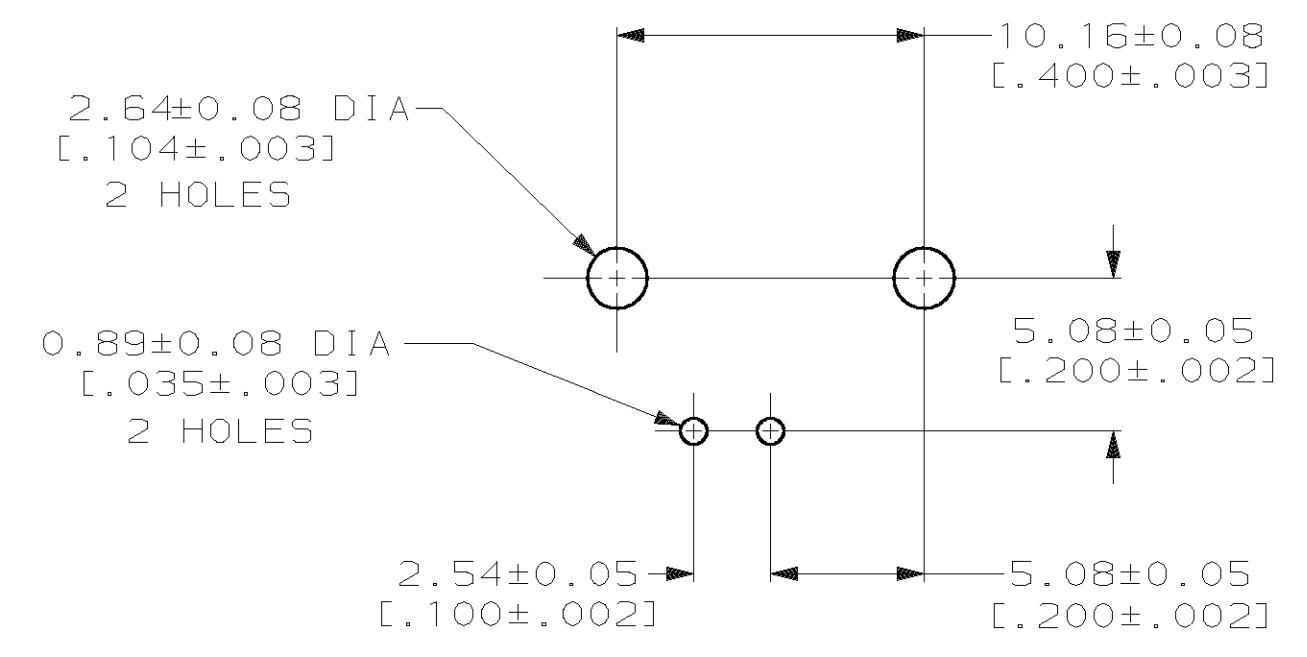


LOC		DIST		P		F		ZONE		LTR		REVISIONS		DATE	APPD
AJ	16												DESCRIPTION	07DEC00	MO
													REV PER 0U20-0666-00		

- ① ZINC PER QQ-Z-363.
- ② POLYMETHYLPENTENE, GENERAL PURPOSE.
- ③ PHOSPHOR BRONZE PER QQ-B-750.
- ④ BRASS PER ASTM-B-453.
- ⑤ NICKEL PLATE PER QQ-N-290,
3.81 μm [.000150] MINIMUM THICK.
- ⑥ TIN-LEAD PLATE PER MIL-P-81728,
3.81 μm [.000150] MINIMUM THICK.
- ⑦ GOLD PLATE PER MIL-G-45204,
0.76 μm [.000030] MINIMUM THICK.
- 8. SEE INSTRUCTION SHEET 2769.



RECOMMENDED PANEL CUTOUT



PCB CONFIGURATION

414410-1
PART NUMBER

DO NOT SCALE PRINT. UNLESS SPECIFIED DIMENSIONS IN mm [INCHES] TOLERANCES ON: 2 PLC DEC ± 0.20 [.008] 3 PLC DEC ± - ANGLES ± -		DR 10-26-92 J. LIPPERT		AMP Incorporated Harrisburg, PA 17105-3508	
SEE NOTES 1 THRU 4		CHK 10-27-92 A. GABANY			
FINISH SEE NOTES 5 THRU 7		APPD 10-27-92 A. GABANY		NAME	
-		APPD 10-27-92 J. LIPPERT		JACK, RIGHT ANGLE, PCB 75 OHM, SERIES BNC	
-		PRODUCT SPEC 108-12078		SIZE	CAGE CODE
-		APPLICATION SPEC		D	00779
-		WEIGHT		DRAWING NO	414410
-		-		SCALE	4:1
-		-		SHEET	1 OF 1