

Silicone protection cap for pushbutton, flat, 22 mm, clear



product brand name	SIRIUS ACT
product designation	Silicone protective cap
design of the product	for pushbuttons, flat
product type designation	3SU1
General technical data	
protection class IP	IP66, IP67
degree of protection NEMA rating	1, 2, 3, 3R, 4, 4X, 12
Ambient conditions	
<ul style="list-style-type: none"> ambient temperature during operation ambient temperature during storage 	<p>-25 ... +70 °C</p> <p>-40 ... +80 °C</p>
Installation/ mounting/ dimensions	
depth	13.8 mm
Accessories	
material of accessory	Plastic
color of accessory	clear
Certificates/ approvals	
General Product Approval	Declaration of Conformity



[Miscellaneous](#)

[Miscellaneous](#)

Declaration of Conformity	Test Certificates	Marine / Shipping			
<p>EG-Konf.</p>	<p>Type Test Certificates/Test Report</p>	<p>ABS</p>	<p>LRS</p>	<p>PRS</p>	<p>RINA</p>
Marine / Shipping	other				



Further information

Information- and Downloadcenter (Catalogs, Brochures,...)

<https://www.siemens.com/ic10>

Industry Mall (Online ordering system)

<https://mall.industry.siemens.com/mall/en/en/Catalog/product?mlfb=3SU1900-0DB70-0AA0>

Cax online generator

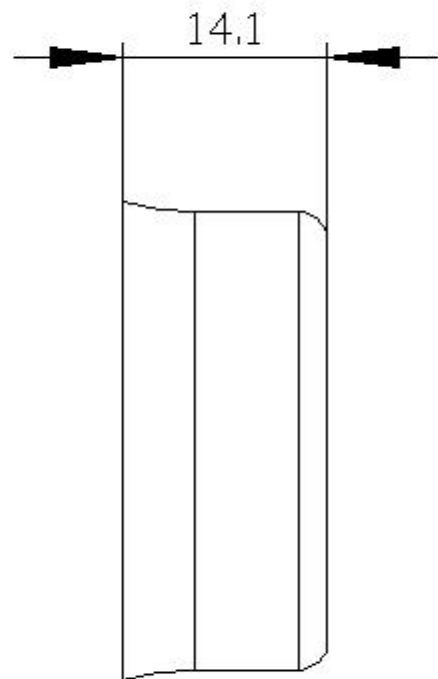
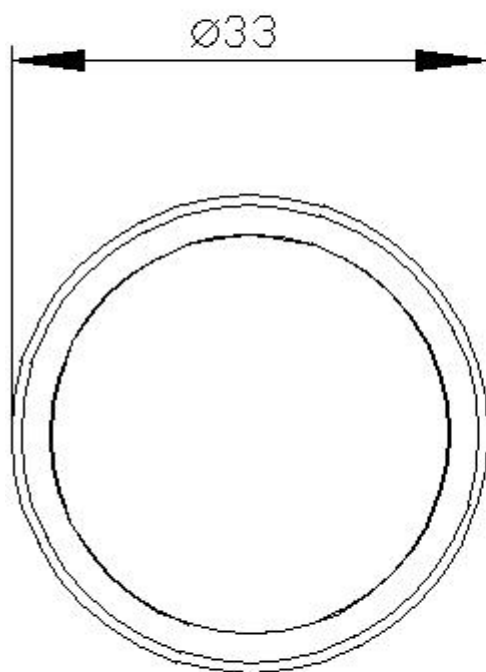
<http://support.automation.siemens.com/WW/CAXorder/default.aspx?lang=en&mlfb=3SU1900-0DB70-0AA0>

Service&Support (Manuals, Certificates, Characteristics, FAQs,...)

<https://support.industry.siemens.com/cs/ww/en/ps/3SU1900-0DB70-0AA0>

Image database (product images, 2D dimension drawings, 3D models, device circuit diagrams, EPLAN macros, ...)

http://www.automation.siemens.com/bilddb/cax_de.aspx?mlfb=3SU1900-0DB70-0AA0&lang=en



last modified:

10/22/2020