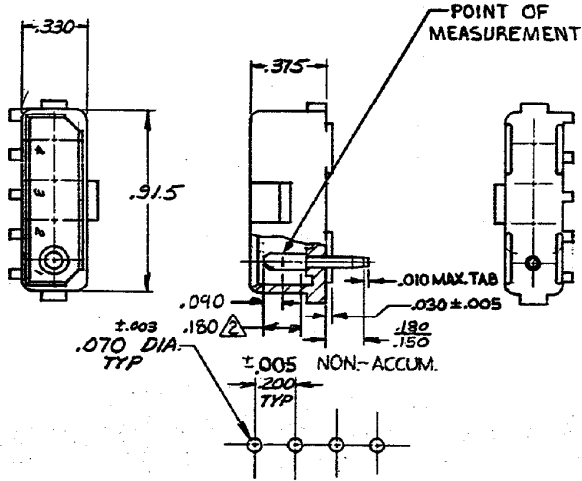


DRAWING MADE IN AMERICAN PROJECTION

S

WAS P-73-6103



RECOMMENDED LAYOUT FOR .062 THICK P.C. BOARD

1. PARTS COMPLY WITH TE SOLDERABILITY SPEC. 109-11-3  
 CONTACT IS PLATED OVERALL WITH .00050 NICKEL, THEN .00030 GOLD OVER CONTACT LENGTH INDICATED AND TIN PLATED ON SOLDER TAIL END.

SUPERSEDED BY 1586534-2

5-350543-2	NYLON - GREEN	COPPER ALLOY - GOLD	⚠
350543-2	NYLON - NATURAL	COPPER ALLOY - GOLD	⚠
350543-1	NYLON - NATURAL	COPPER ALLOY - PRE-TIN	
ASSEMBLY NO.		HSG. MATL & COLOR	PIN MATL & FINISH
			CUSTOMER COPY REFERENCE ONLY
DR	3-30-73	MATERIAL AND FINISH	
CHK	4/11/73	SEE TABLE	
APPR	4-10-73	GLASS	TE Connectivity
WIRE RANGE - INSULATION		TYPE	
TOLERANCE EXCEPTIONS		SCALE	
AS NOTED		CWB	
±.015 ±.10 OF		NO 350543 N3	
DATE		NAME	
4-10-73		4 CIRCUIT MATE-N-LOK P.C. BOARD HEADER	

REQUIRED PER ASSEMBLY
DESCRIPTION

DIMENSIONS IN INCHES. DO NOT SCALE PRINT.

N3	REVISED PER ECR-18-008156	JB	DZ	12NOV 2013
N2	REVISED PER ECR-13-008342	AV	RP	12NOV 2013
N1	REVISED PER ECO-11-005294	RK	HMR	12APR 11
LTN	REVISION RECORD	DR	CHK	DATE

E-505E