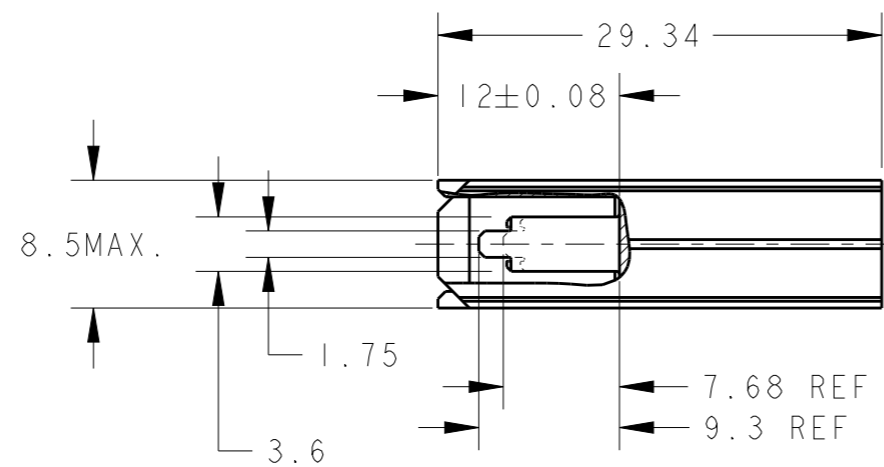
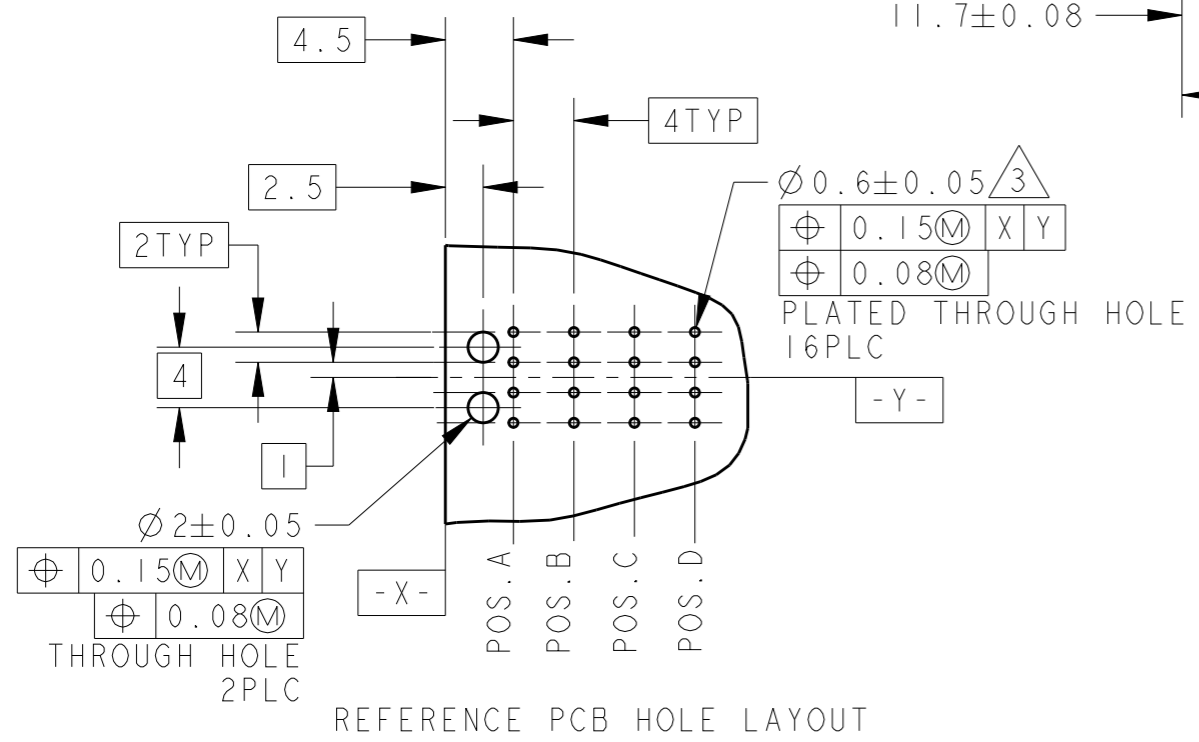
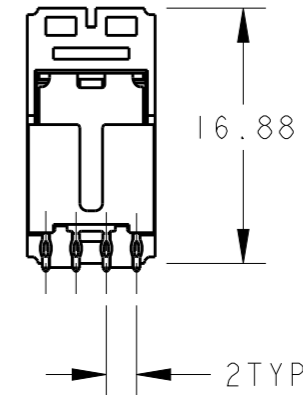
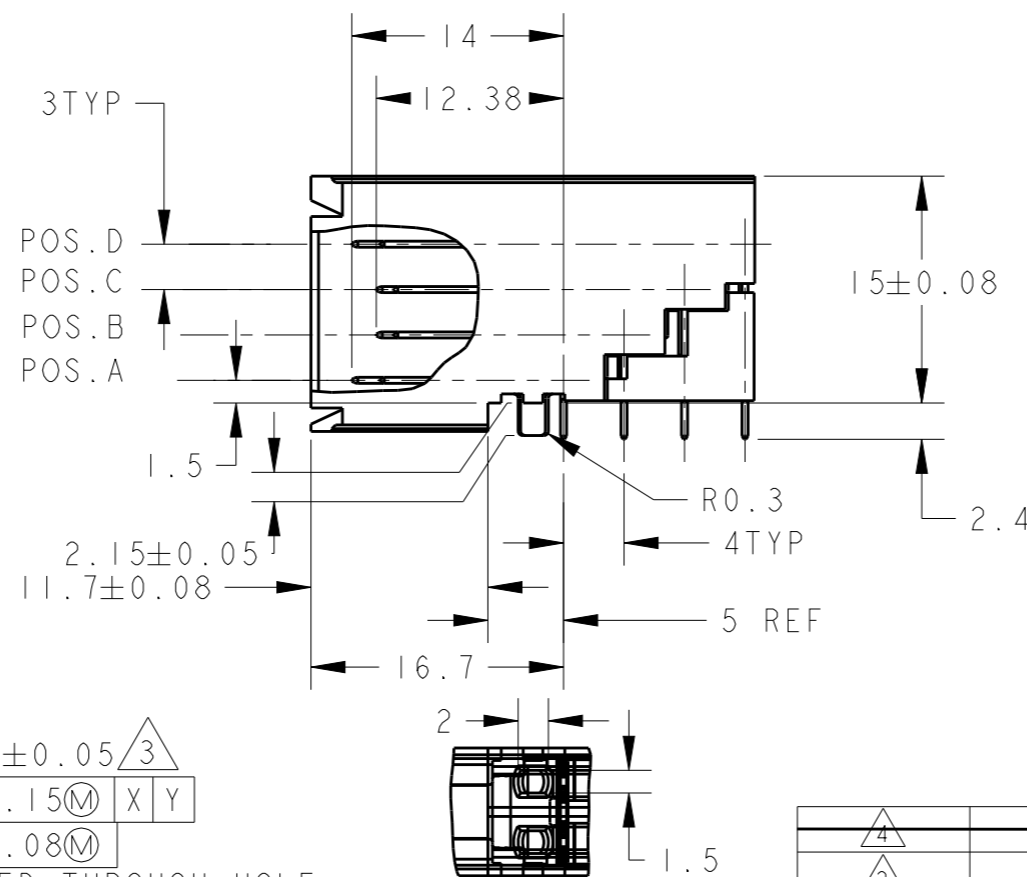
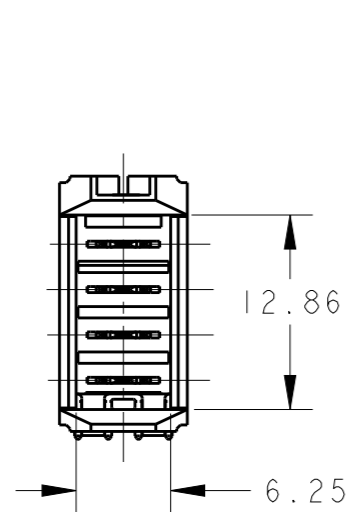


THIS DRAWING IS UNPUBLISHED. RELEASED FOR PUBLICATION 20  
 © COPYRIGHT 2011 BY Tyco Electronics Japan G.K. ALL RIGHTS RESERVED.

LOC	DIST	REVISIONS				
P	LTR	DESCRIPTION	DATE	DWN	APVD	
J	-	C	REVISED	25APR2011	K.M	E.T
		D	REV PER ECO-18-012426	2019APR03	ML	SZ



- 1 MATERIAL  
CONTACT: COPPER ALLOY  
HOUSING: THERMOPLASTIC
- 2 FINISH  
CONTACT MATING AREA: 0.76um MIN. GOLD PLATE  
EON AREA: 0.5um MIN. TIN PLATE  
ALL OVER: 1.27um MIN. NICKEL PLATE
- 3 TYPICAL HOLE DETAIL;  
DRILLED HOLE =  $\varnothing 0.7 \pm 0.02$   
COPPER THICKNESS = 0.035 TO 0.065
- 4 FINISH  
CONTACT MATING AREA: 0.76um MIN. GOLD PLATE  
EON AREA: 0.5um MIN. BRIGHT TIN-LEAD PLATE  
ALL OVER: 1.27um MIN. NICKEL PLATE
- 5 CONTACT AREA LUBRICATED WITH BELLCORE APPROVED LUBRICANT. TECHNICAL REFERENCE: GR-1217-CORE, ISSUE 2, DECEMBER 2008.



4	A, D	B, C	<del>1903977-1</del>
2	A, D	B, C	1903977-1
FINISH	POSITIONS LOADED WITH 9.3 REF CONTACTS	POSITIONS LOADED WITH 7.68 REF CONTACTS	P/N

THIS DRAWING IS A CONTROLLED DOCUMENT.

DWN T. KATANO 21NOV06  
 CHK K. IKEGAMI 21NOV06  
 APVD K. IKEGAMI 21NOV06

DIMENSIONS: mm  
 TOLERANCES UNLESS OTHERWISE SPECIFIED: ±0.3

0 PLC ±  
 1 PLC ±0.1  
 2 PLC ±0.01  
 3 PLC ±0.001  
 4 PLC ±0.0001  
 ANGLES ±

MATERIAL FINISH SEE TABLE

PRODUCT SPEC 108-78387  
 APPLICATION SPEC 114-5475  
 WEIGHT -

**STE** TE Connectivity

NAME SLIM UNIVERSAL POWER MODULE 4POS. RIGHT ANGLE HEADER ASSEMBLY

SIZE A3 CAGE CODE - DRAWING NO. C-1903977 RESTRICTED TO

CUSTOMER DRAWING SCALE 2:1 SHEET 1 OF 1 REV D