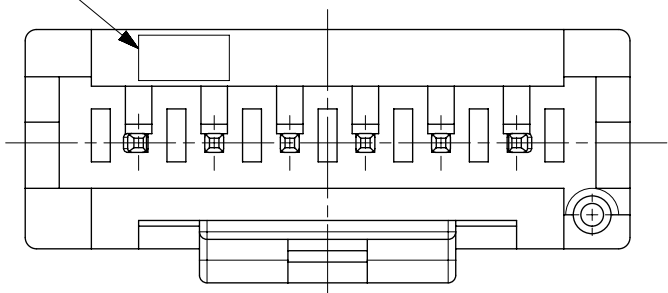


推奨基板寸法
(t = 1.6)

NOTE

1. 嵌合相手: 51382 シリーズ
MATE WITH : 51382 SERIES
 2. 偶数極 (列) に適用。
APPLY EVEN CIRCUIT PRODUCTS.
 3. キングは両外側の位置に付加。
KINK TO BE APPLIED BOTH ENDS.
 4. 材質 ハウジング : ポリエステル(PBT) UL94V-0
MATERIALS HOUSING : POLYESTER(PBT) UL94V-0
 ピン : 黄銅
 PIN : BRASS
 5. めっき
ピン : 錫めっき, リフロー処理 (前めっき) めっき厚 : 1.0µm MIN.
 ニッケル下地めっき, めっき厚 : 0.5µm MIN.
- FINISHES
PIN : PRE-TIN PLATED, (HEAT TREATED MATTE TIN)
PLATING THICKNESS : 1.0µm MIN.
NICKEL UNDERPLATE OVERALL
PLATING THICKNESS : 0.5µm MIN.

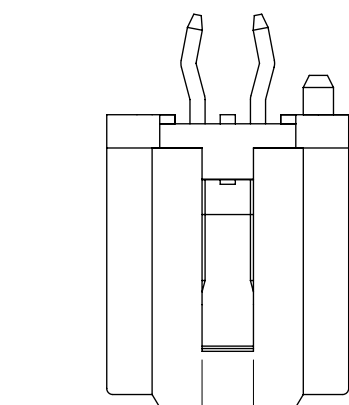
トレードマーク
TRADE MARK



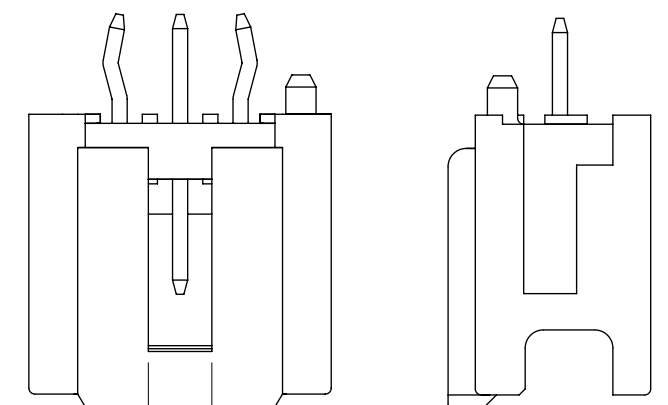
31	28	34	55932-15**	15
29	26	32	55932-14**	14
27	24	30	55932-13**	13
25	22	28	55932-12**	12
23	20	26	55932-11**	11
21	18	24	55932-10**	10
19	16	22	55932-09**	9
17	14	20	55932-08**	8
15	12	18	55932-07**	7
13	10	16	55932-06**	6
11	8	14	55932-05**	5
9	6	12	55932-04**	4
7	4	10	55932-03**	3
5	2	8	55932-02**	2
C	B	A	MATERIAL NO.	CKT.

MODEL NO. : 55932 - ****

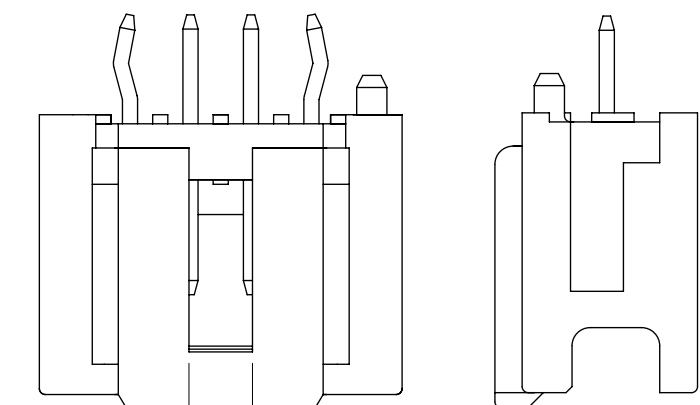
THIS DRAWING CONTAINS INFORMATION THAT IS PROPRIETARY TO MOLEX ELECTRONIC TECHNOLOGIES, LLC AND SHOULD NOT BE USED WITHOUT WRITTEN PERMISSION									
DIMENSION UNITS	SCALE	CURRENT REV DESC: OBSOLETE PART NUMBERS AS PER PCN #512131							
mm	NTS	<p>2.0 W/B SINGLE CONN. PLUG HOUSING ASSY ST-LEAD FREE-</p> <p>PRODUCT CUSTOMER DRAWING</p>							
GENERAL TOLERANCES (UNLESS SPECIFIED)									
ANGULAR TOL	± 3.0°								
4 PLACES	±								
3 PLACES	±								
2 PLACES	± 0.2								
1 PLACE	± 0.2	EC NO: 727779	DRWN: ANIKES1	2022/10/17	<p>2.0 W/B SINGLE CONN. PLUG HOUSING ASSY ST-LEAD FREE-</p> <p>PRODUCT CUSTOMER DRAWING</p>				
0 PLACES	± 0.2	DRWN: T.NIITSU	2022/11/29						
DRAFT WHERE APPLICABLE MUST REMAIN WITHIN DIMENSIONS		APPR: T.YAMAGUCHI	2003/06/12						
THIRD ANGLE PROJECTION		DRAWING	SERIES	MATERIAL NUMBER	CUSTOMER	DOCUMENT NUMBER	DOC TYPE	DOC PART	REVISION
		A3-SIZE	55932	SEE TABLE	GENERAL MARKET	SD-55932-002	PSD	001	L2
SHEET NUMBER		1 OF 3							



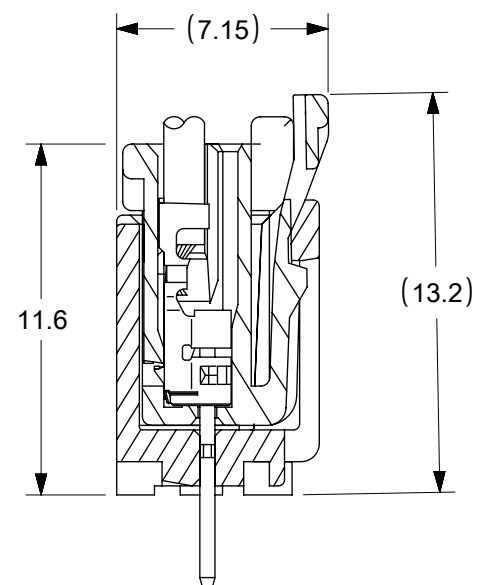
2 CIRCUIT



3 CIRCUIT



4 CIRCUIT 以上




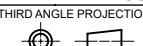
嵌合断面図

△ 製品番号 MATERIAL NO.

55932 - ****

極数 CIRCUIT SIZE 色 COLOR

10	自然色 (白) NATURAL (WHITE)
11	黒 BLACK
12	赤 RED
13	黄 YELLOW
14	青 BLUE
15	桃 PINK
16	緑 GREEN
17	茶 BROWN
18	橙 ORANGE
43	蛍光黄 FLUROSENCE YELLOW

THIS DRAWING CONTAINS INFORMATION THAT IS PROPRIETARY TO MOLEX ELECTRONIC TECHNOLOGIES, LLC AND SHOULD NOT BE USED WITHOUT WRITTEN PERMISSION													
DIMENSION UNITS mm		SCALE NTS		CURRENT REV DESC: OBSOLETE PART NUMBERS AS PER PCN #512131									
GENERAL TOLERANCES (UNLESS SPECIFIED)				 2.0 W/B SINGLE CONN. PLUG HOUSING ASSY ST -LEAD FREE- PRODUCT CUSTOMER DRAWING									
ANGULAR TOL ± 3.0 °													
4 PLACES ±		EC NO: 727779								2022/10/17		2022/11/29	
3 PLACES ±		DRWN: ANIKES1								2022/11/29		2022/11/29	
2 PLACES ± 0.2		CHK'D: GGA								2022/11/29		2022/11/29	
1 PLACE ± 0.2		APPR: GGA		INITIAL REVISION:									
0 PLACES ± 0.2		DRWN: T.NIITSU		2002/02/08		2003/06/12		DOCUMENT NUMBER					
DRAFT WHERE APPLICABLE MUST REMAIN WITHIN DIMENSIONS		THIRD ANGLE PROJECTION		DRAWING		SERIES		MATERIAL NUMBER					
				A3-SIZE		55932		SD-55932-002					
								DOC TYPE DOC PART REVISION					
								PSD 001 L2					
								CUSTOMER					
								GENERAL MARKET					
								SHEET NUMBER					
								2 OF 3					

F
E
D
C
B
A

自然色 (白) NATURAL (WHITE)	黒 BLACK	赤 RED	黄 YELLOW	青 BLUE	桃 PINK	緑 GREEN	茶 BROWN	オレンジ ORANGE	蛍光黄 FLUORESCENCE YELLOW
559321510	559321511	---	---	---	---	---	---	---	---
559321410	---	---	---	---	---	---	---	---	---
559321310	---	---	---	---	---	---	---	---	---
559321210	---	---	---	---	---	---	---	---	---
559321110	---	---	---	---	---	---	---	---	---
559321010	---	---	---	---	---	---	---	---	---
559320910	---	---	---	---	---	---	---	---	---
559320810	---	---	---	---	---	---	---	---	---
559320710	559320711	---	---	---	---	---	---	---	---
559320610	---	---	---	---	---	---	---	---	---
559320510	559320511	---	---	---	---	---	---	---	---
559320410	559320411	---	---	---	---	---	---	---	---
559320310	559320311	559320312	559320313	559320314	---	559320316	559320317	559320318	---
559320210	559320211	---	---	559320214	559320215	---	---	559320218	559320243
R MATERIAL NO.	R MATERIAL NO.	R MATERIAL NO.	R MATERIAL NO.	R MATERIAL NO.	R MATERIAL NO.	R MATERIAL NO.	R MATERIAL NO.	R MATERIAL NO.	R MATERIAL NO.

THIS DRAWING CONTAINS INFORMATION THAT IS PROPRIETARY TO MOLEX ELECTRONIC TECHNOLOGIES, LLC AND SHOULD NOT BE USED WITHOUT WRITTEN PERMISSION

DIMENSION UNITS mm	SCALE NTS	CURRENT REV DESC: OBSOLETE PART NUMBERS AS PER PCN #512131	molex		
GENERAL TOLERANCES (UNLESS SPECIFIED)		EC NO: 727779 DRWN: ANIKES1 CHK'D: GGA APPR: GGA			
ANGULAR TOL ± 3.0 °	4 PLACES ±	2022/10/17	PRODUCT CUSTOMER DRAWING		
3 PLACES ±	2 PLACES ± 0.2	2022/11/29	DOCUMENT NUMBER		
1 PLACE ± 0.2	0 PLACES ± 0.2	2022/11/29	SD-55932-002		
DRAFT WHERE APPLICABLE MUST REMAIN WITHIN DIMENSIONS	THIRD ANGLE PROJECTION 	INITIAL REVISION: DRWN: T.NIITSU APPR: T.YAMAGUCHI	DOC TYPE PSD	DOC PART 001	REVISION L2
	DRAWING A3-SIZE	SERIES 55932	MATERIAL NUMBER SEE TABLE	CUSTOMER GENERAL MARKET	SHEET NUMBER 3 OF 3