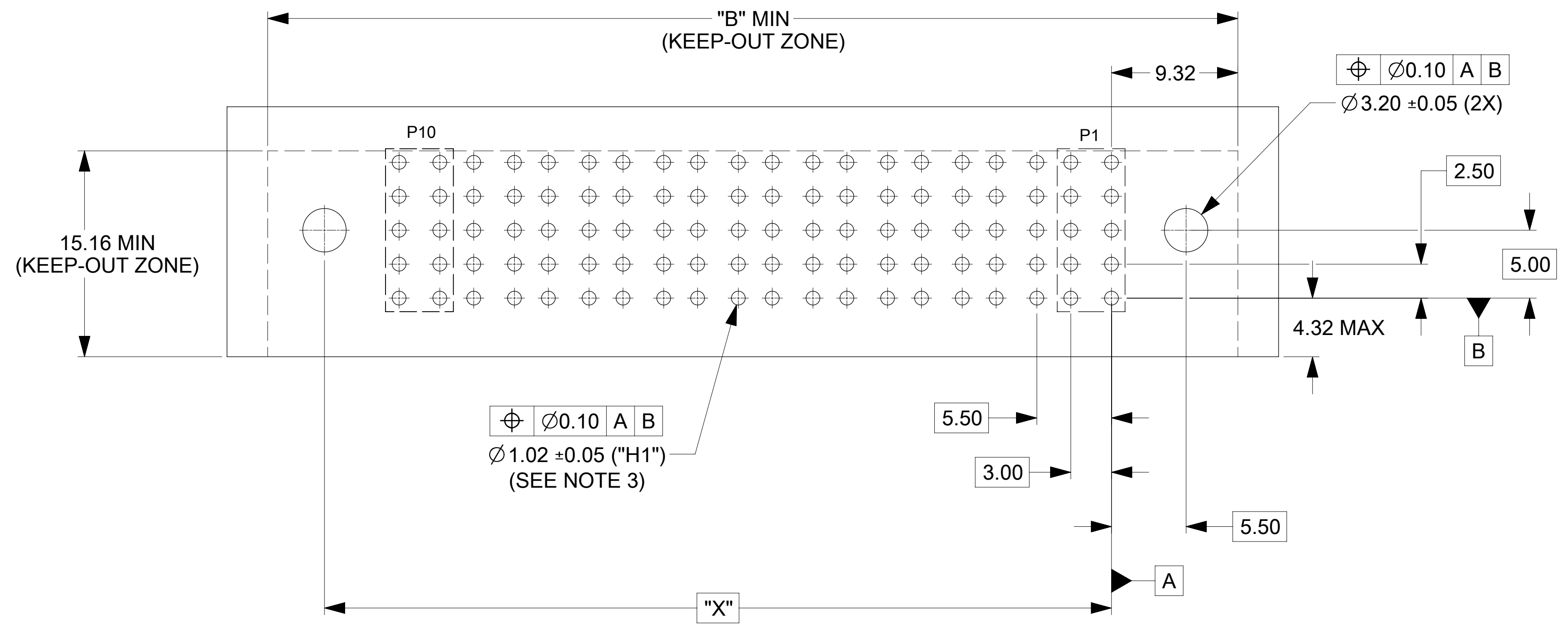
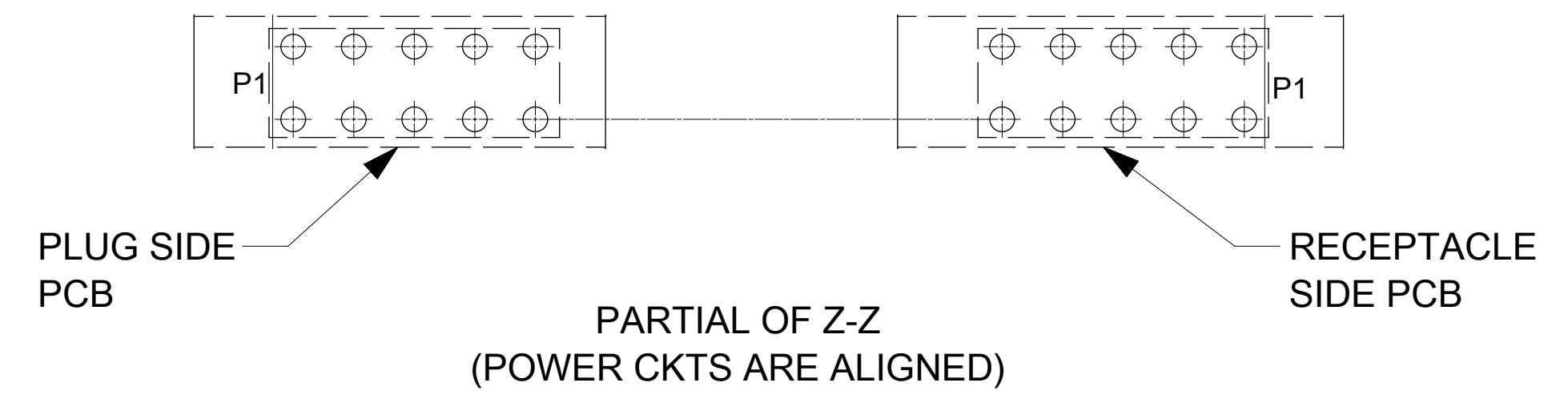
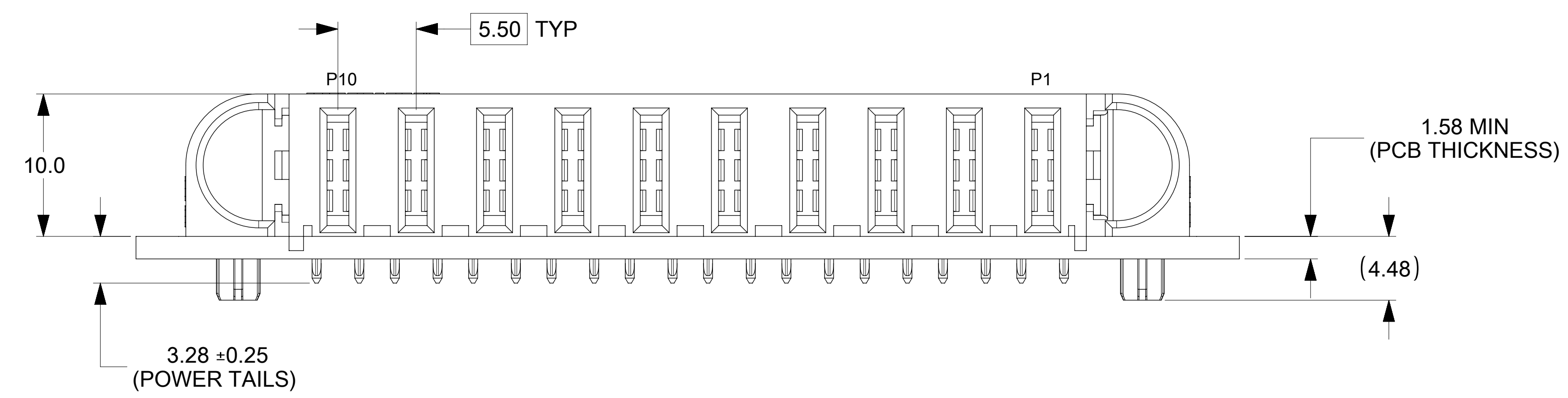


P/N : 46436-9310 (G-10P-G)



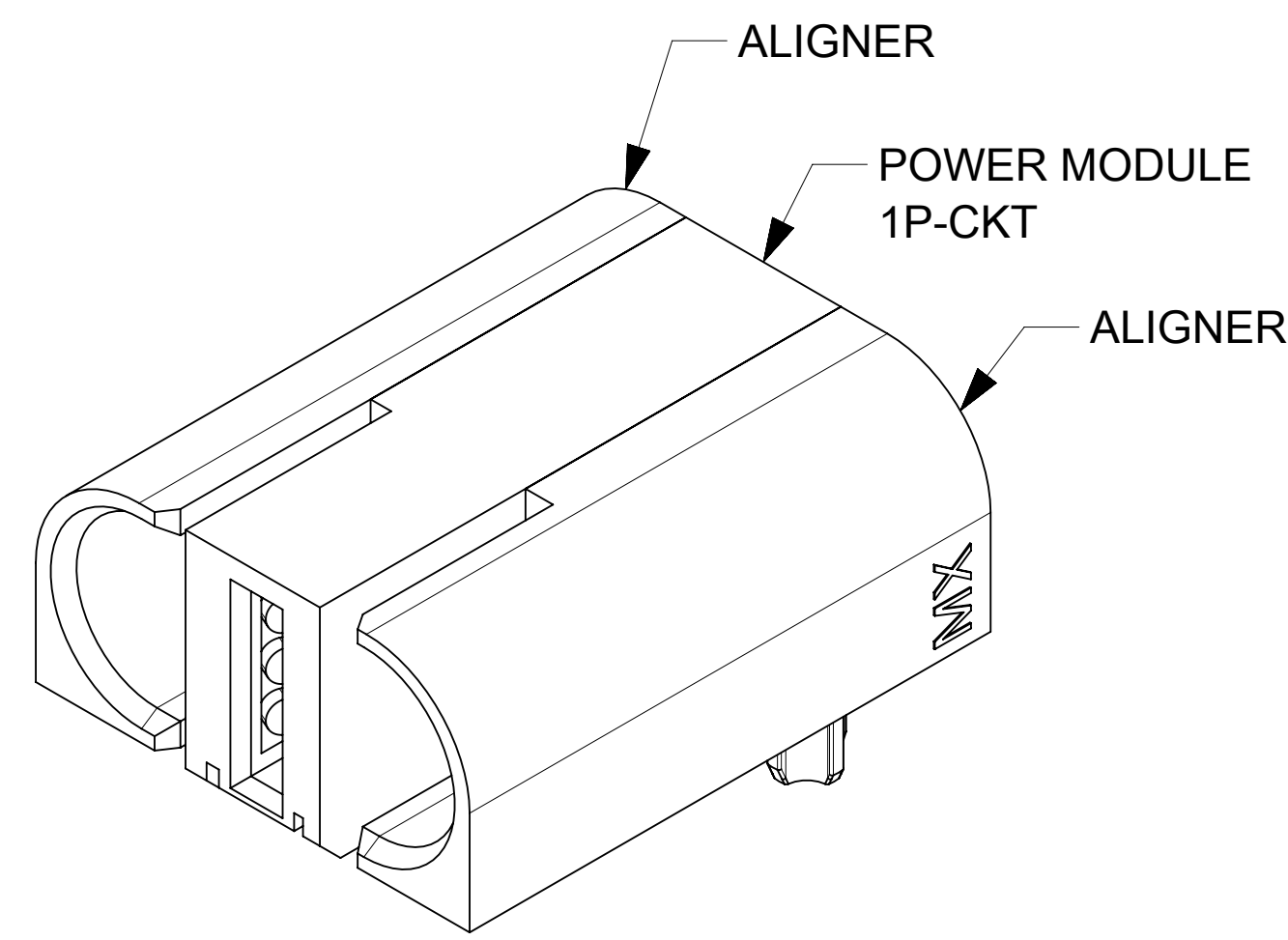
- NOTES:
- MATERIAL:
    - HOUSINGS: LCP UL94, V-0, COLOR: BLACK
    - TERMINALS: HIGH CONDUCTIVITY COPPER ALLOY
    - PLATING: 1.27 MICROMETER (50 MICROINCH) NICKEL OVERALL WITH 2.54 MICROMETER (100 MICROINCH) SELECTIVE TIN ON TAILS AND 0.762 MICROMETER (30 MICROINCH) SELECTIVE GOLD ON CONTACT AREA
  - PACKAGING: ASSEMBLIES TO BE TRAY PACKED PER PACKAGING SPEC: 464361001-PK
  - PLATED THRU HOLE SIZE, REFER TO PS-46436-100 FOR DETAILS
  - PRODUCT SPEC: PS-46436-100
  - APPLICATION SPEC: AS-46436-100
  - PRODUCT TO MEET RoHS REQUIREMENTS
  - ASSEMBLY MATES TO MOLEX PLUG ASSEMBLY P/N 46437-\*\*\*\* (SEE TABLE IN SHEET 2)
  - TAIL DESIGN: COMPLIANT TAILS
  - POWER CONTACTS ARE LUBRICATED.
  - MOLEX LOGO TO BE LOCATED APPROXIMATELY AS SHOWN.

THIS DRAWING CONTAINS INFORMATION THAT IS PROPRIETARY TO MOLEX ELECTRONIC TECHNOLOGIES, LLC AND SHOULD NOT BE USED WITHOUT WRITTEN PERMISSION									
DIMENSION UNITS	SCALE	CURRENT REV DESC: ADDED ISOMETRIC VIEWS							
mm	4:1								
GENERAL TOLERANCES (UNLESS SPECIFIED)									
ANGULAR TOL	± 0.5°								
4 PLACES	±	EC NO: 689821							
3 PLACES	±	DRWN: HARSHG		2021/12/13					
2 PLACES	± 0.13	CHK'D: GJEEVANSURES		2021/12/22					
1 PLACE	± 0.25	APPR: HTHYAGARAJ		2022/02/14					
0 PLACES	±	INITIAL REVISION:							
DRAFT WHERE APPLICABLE MUST REMAIN WITHIN DIMENSIONS		DRWN: KSUTAR		2021/08/17					
		APPR: HTHYAGARAJ		2021/10/21					
THIRD ANGLE PROJECTION		DRAWING		SERIES		MATERIAL NUMBER		CUSTOMER	
D-SIZE		46436		SEE TABLE		GENERAL MARKET		1 OF 3	

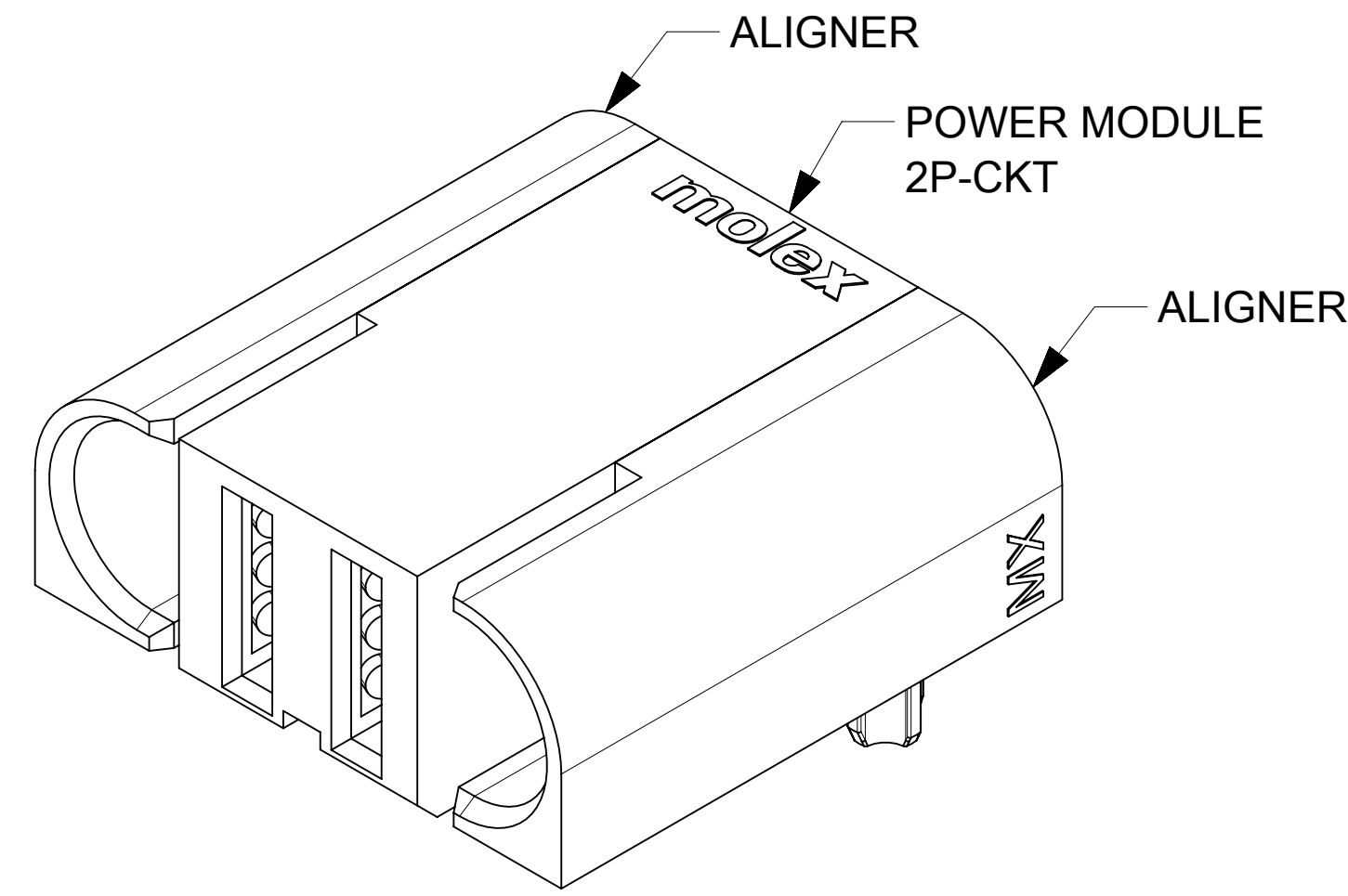
RECOMMENDED PCB LAYOUT AND KEEP-OUT ZONE FOR G-(1P TO 10P)-G

REFER TO BELOW TABLE FOR DIMENSIONS.

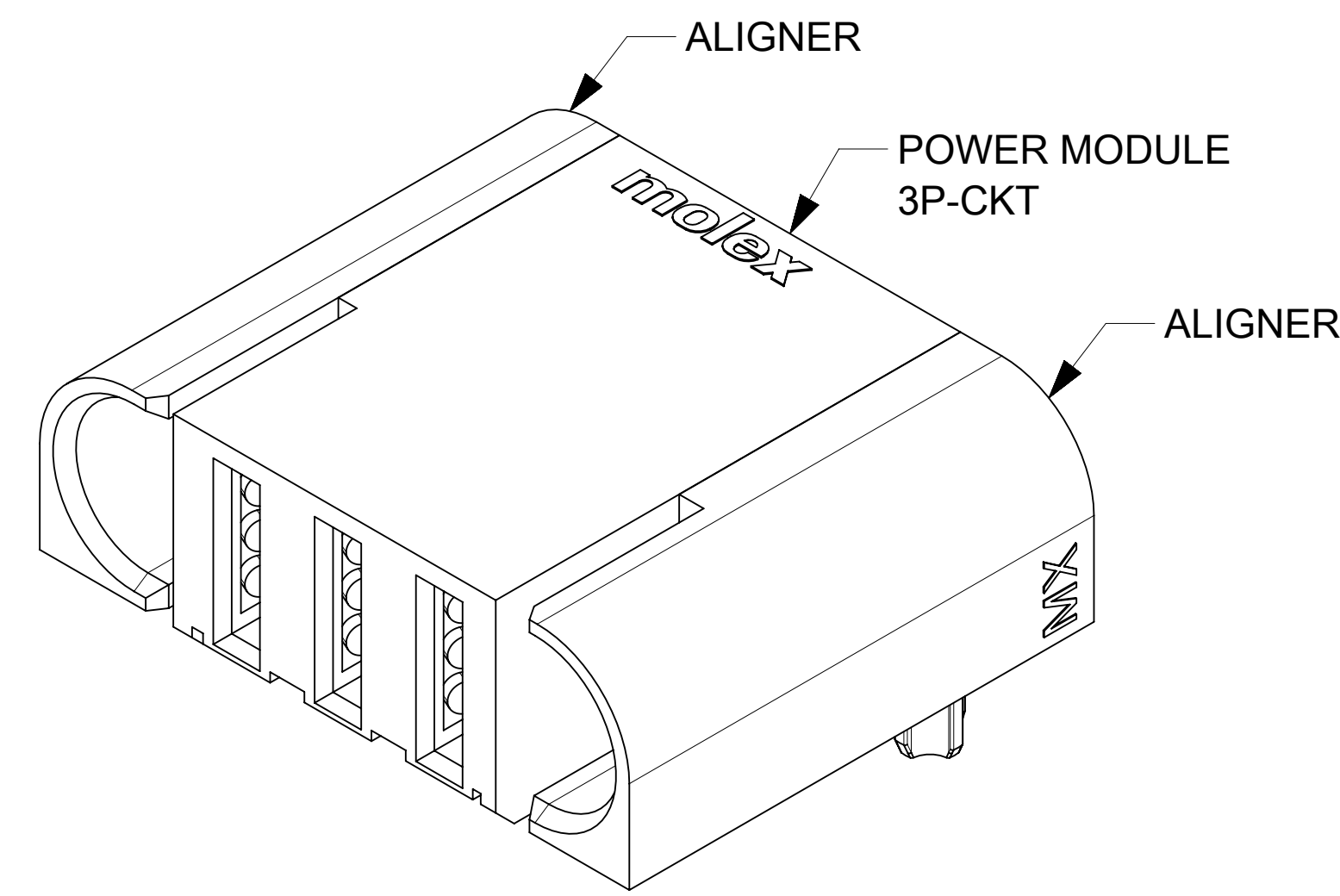
FG P/N	CONFIGURATION	POWER CKT SIZE	DIM "A" (IN MM)	DIM "B" (IN MM)	DIM "X" (IN MM)	HOLES COUNT "H1"	MATES WITH R/A PLUG ASSY P/N
464369301	G-1P-G	1	21.00	22.00	8.50	10	464379301
464369302	G-2P-G	2	26.50	27.50	14.00	20	464379302
464369303	G-3P-G	3	32.00	33.00	19.50	30	464379303
464369304	G-4P-G	4	37.50	38.50	25.00	40	464379304
464369305	G-5P-G	5	43.00	44.00	30.50	50	464379305
464369306	G-6P-G	6	48.50	49.50	36.00	60	464379306
464369307	G-7P-G	7	54.00	55.00	41.50	70	464379307
464369308	G-8P-G	8	59.50	60.50	47.00	80	464379308
464369309	G-9P-G	9	65.00	66.00	52.50	90	464379309
464369310	G-10P-G	10	70.50	71.50	58.00	100	464379310



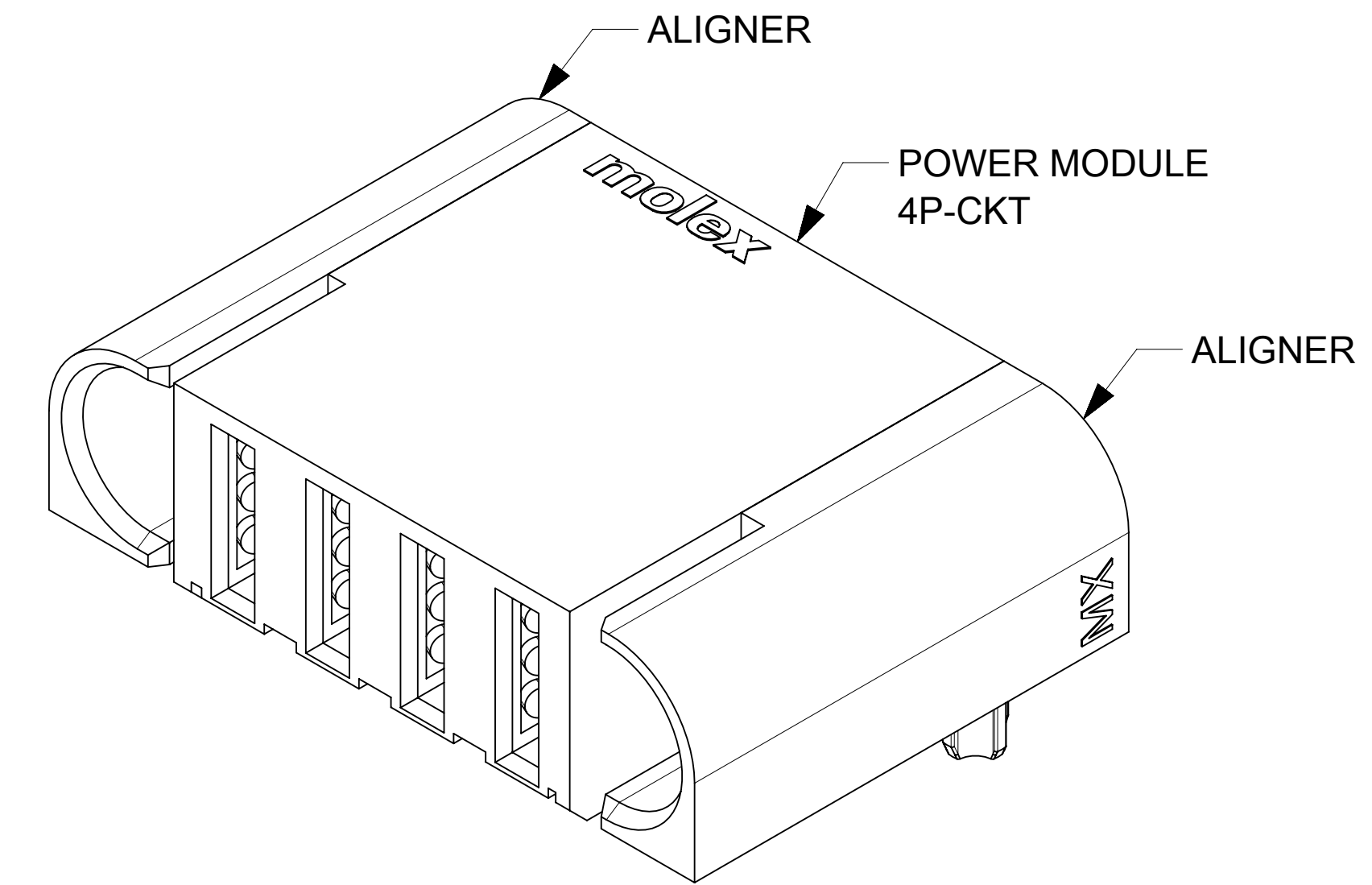
P/N : 46436-9301 (G-1P-G)



P/N : 46436-9302 (G-2P-G)

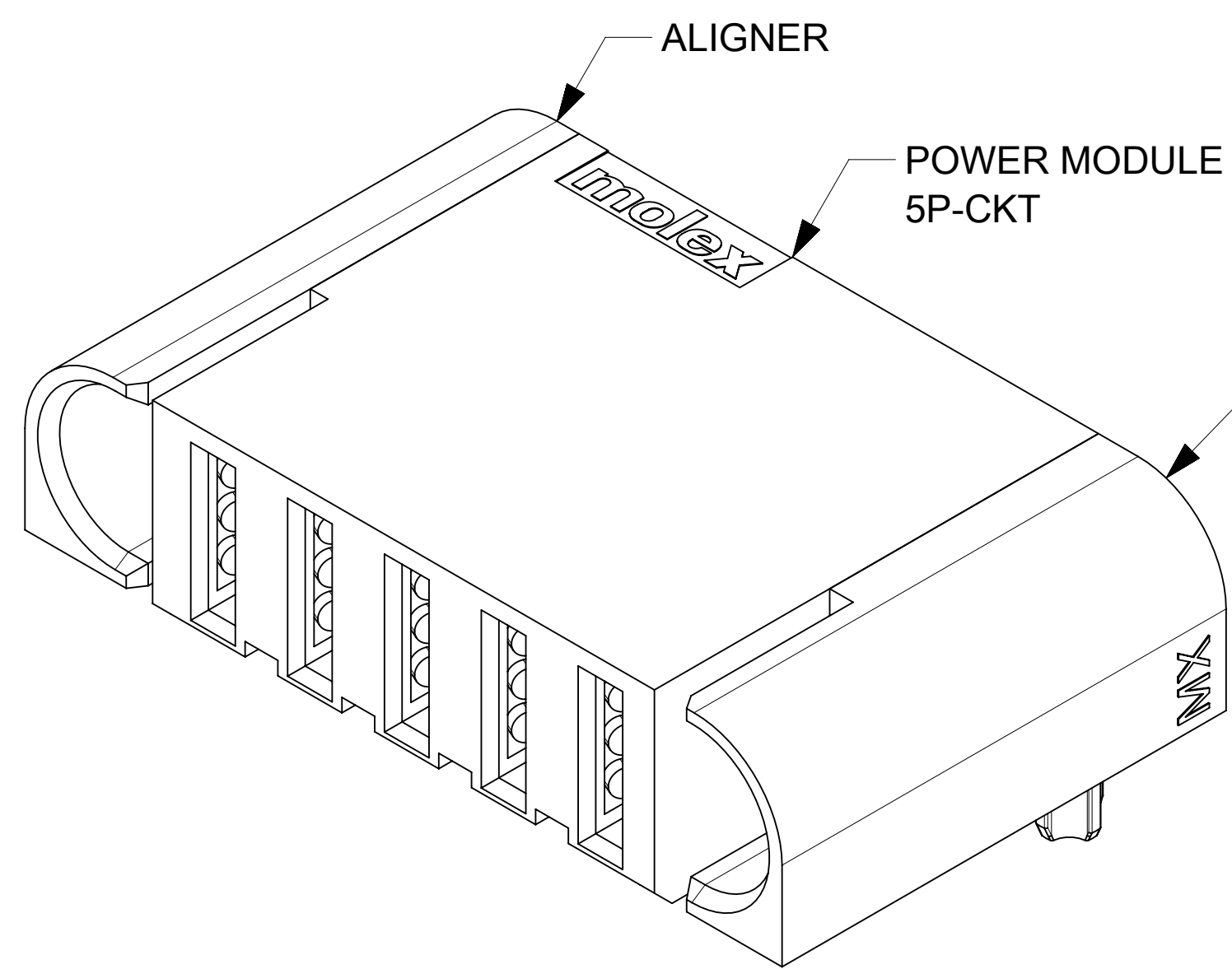


P/N : 46436-9303 (G-3P-G)

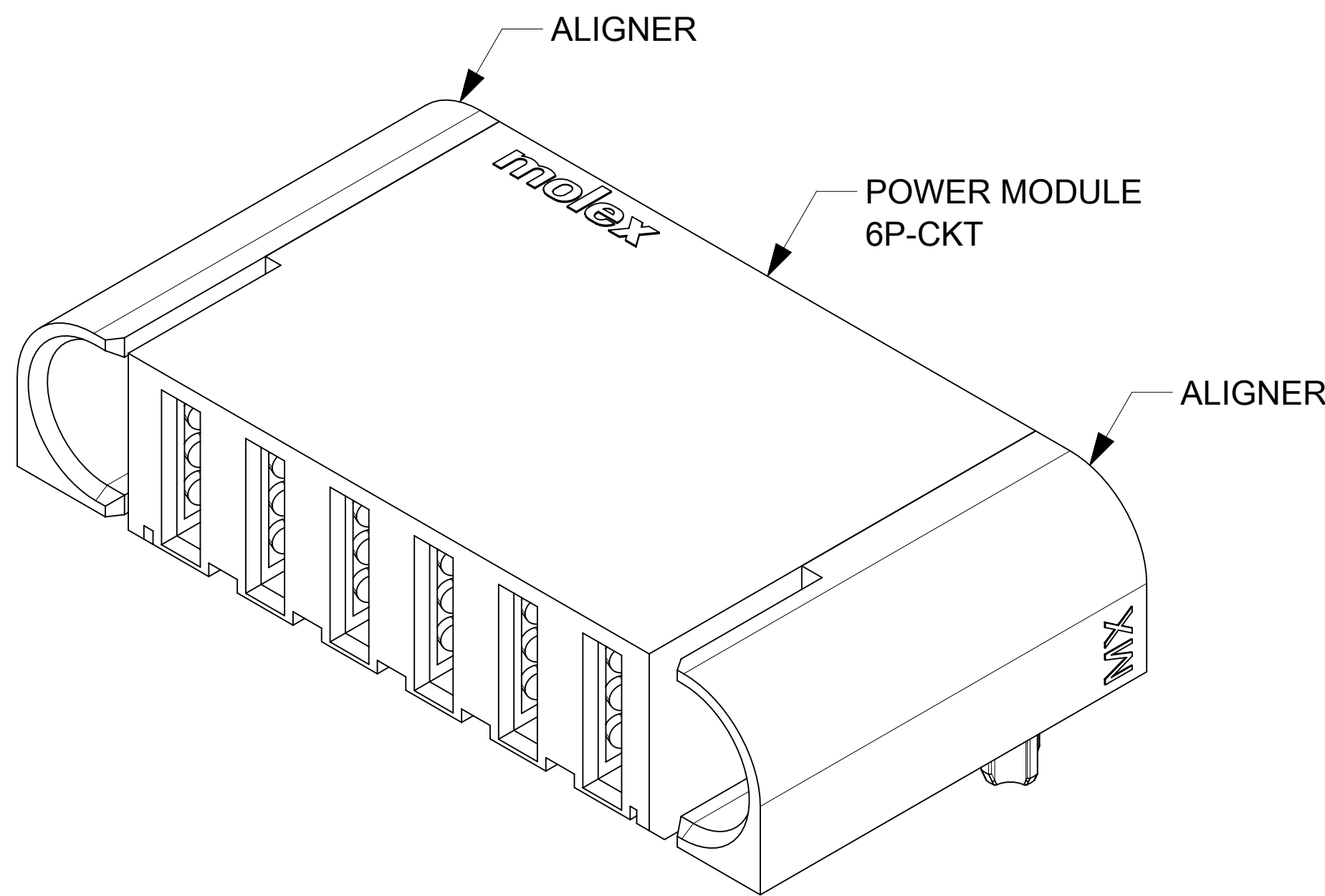


P/N : 46436-9304 (G-4P-G)

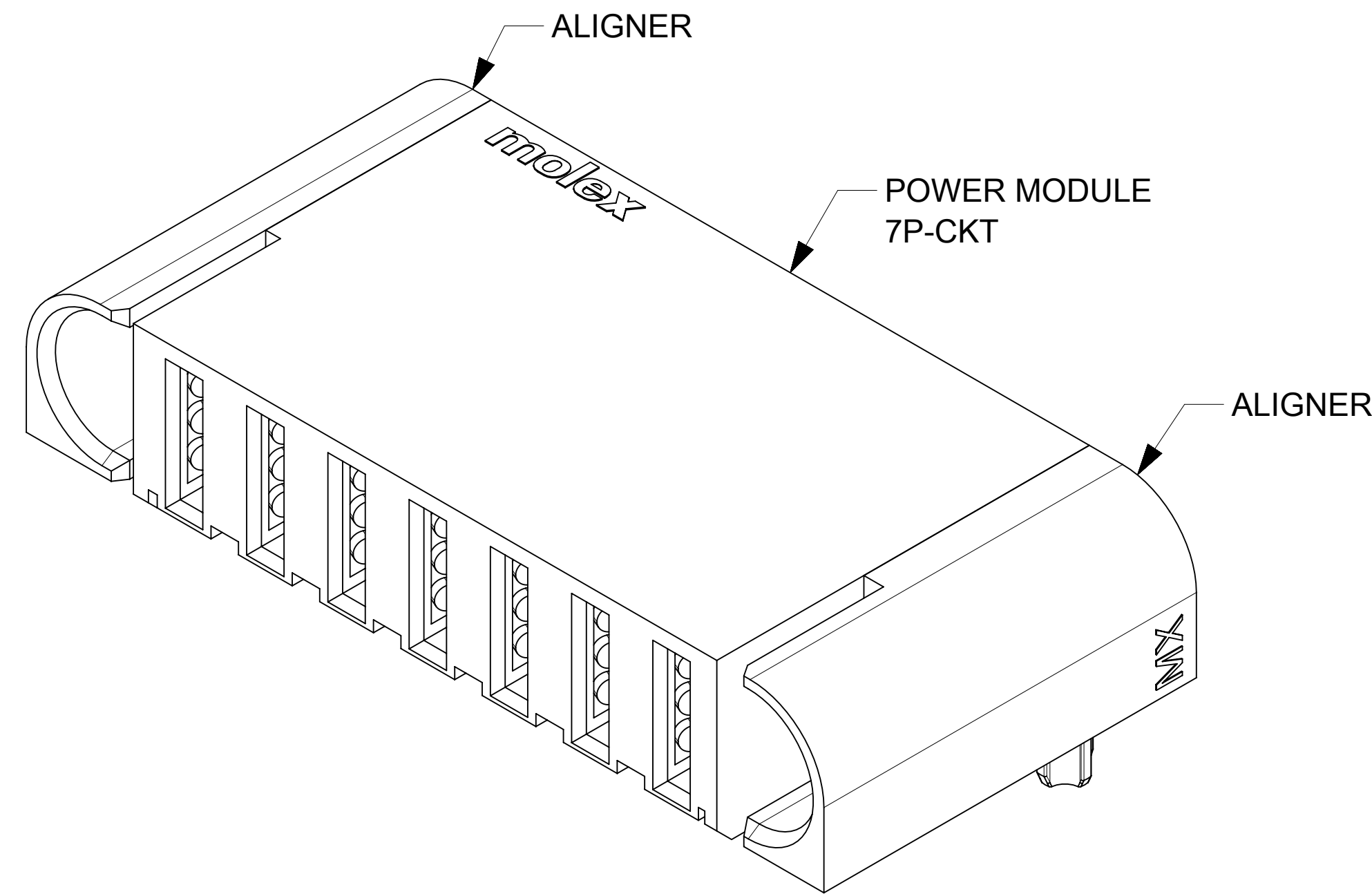
THIS DRAWING CONTAINS INFORMATION THAT IS PROPRIETARY TO MOLEX ELECTRONIC TECHNOLOGIES, LLC AND SHOULD NOT BE USED WITHOUT WRITTEN PERMISSION											
DIMENSION UNITS		SCALE		CURRENT REV DESC: ADDED ISOMETRIC VIEWS							
mm		4:1									
GENERAL TOLERANCES (UNLESS SPECIFIED)				EC NO: 689821							
ANGULAR TOL ± 0.5°				DRWN: HARSHG		2021/12/13		G-*P-G R/A RECEP ASSY - TEN60 POWER FAMILY			
4 PLACES ±		3 PLACES ±		CHK'D: GJEEVANSURES		2021/12/22					
2 PLACES ± 0.13		1 PLACE ± 0.25		APPR: HTHYAGARAJ		2022/02/14		PRODUCT CUSTOMER DRAWING			
0 PLACES ±				INITIAL REVISION:		2021/08/17		DOCUMENT NUMBER		DOC TYPE	
DRAFT WHERE APPLICABLE MUST REMAIN WITHIN DIMENSIONS				THIRD ANGLE PROJECTION		DRAWING		SERIES		REVISION	
				D-SIZE		46436		464369310		PSD 000 A1	
				SEE TABLE		GENERAL MARKET		MATERIAL NUMBER		CUSTOMER	
										SHEET NUMBER	
										2 OF 3	



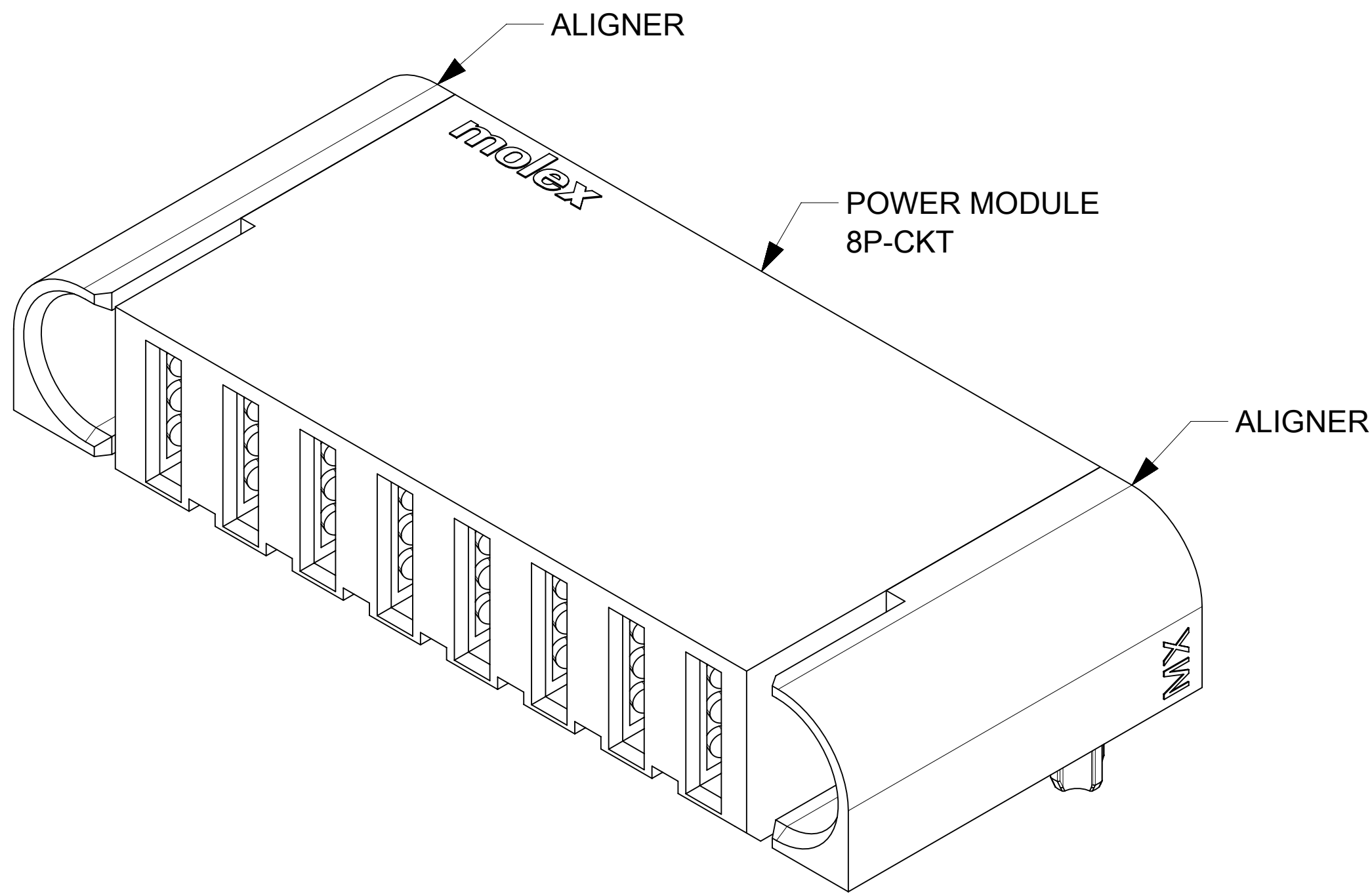
P/N : 46436-9305 (G-5P-G)



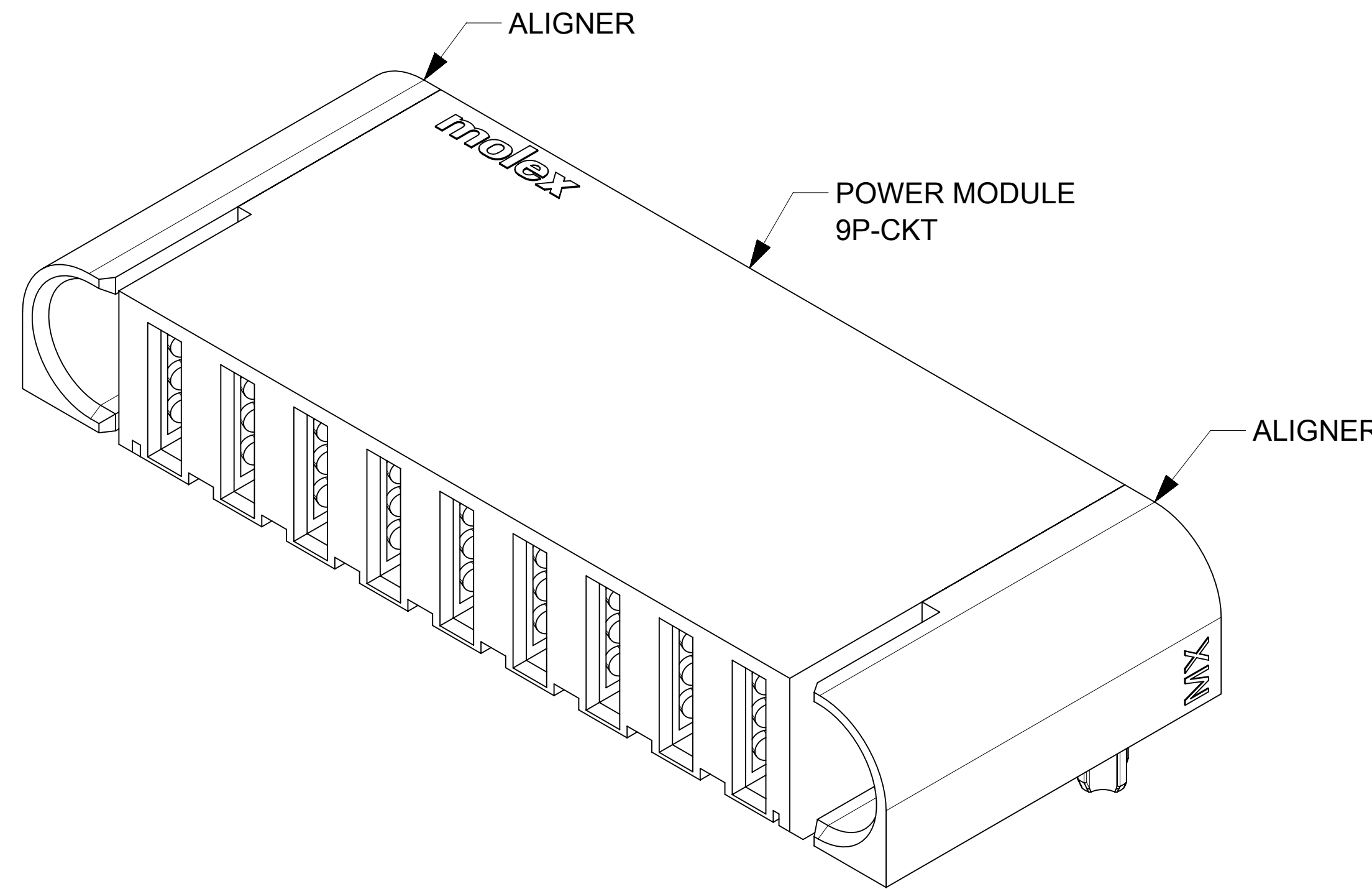
P/N : 46436-9306 (G-6P-G)



P/N : 46436-9307 (G-7P-G)



P/N : 46436-9308 (G-8P-G)



P/N : 46436-9309 (G-9P-G)

THIS DRAWING CONTAINS INFORMATION THAT IS PROPRIETARY TO MOLEX ELECTRONIC TECHNOLOGIES, LLC AND SHOULD NOT BE USED WITHOUT WRITTEN PERMISSION												
DIMENSION UNITS		SCALE		CURRENT REV DESC: ADDED ISOMETRIC VIEWS								
mm		4:1										
GENERAL TOLERANCES (UNLESS SPECIFIED)				EC NO: 689821								
ANGULAR TOL ± 0.5°				DRWN: HARSHG		2021/12/13		G-*P-G				
4 PLACES ±				CHK'D: GJEEVANSURES		2021/12/22		R/A RECEP ASSY - TEN60 POWER FAMILY				
3 PLACES ±				APPR: HTHYAGARAJ		2022/02/14		PRODUCT CUSTOMER DRAWING				
2 PLACES ± 0.13				INITIAL REVISION:				DOCUMENT NUMBER		DOC TYPE	DOC PART	REVISION
1 PLACE ± 0.25				DRWN: KSUTAR		2021/08/17		464369310		PSD	000	A1
0 PLACES ±				APPR: HTHYAGARAJ		2021/10/21		MATERIAL NUMBER		CUSTOMER		SHEET NUMBER
DRAFT WHERE APPLICABLE MUST REMAIN WITHIN DIMENSIONS				THIRD ANGLE PROJECTION		DRAWING		SERIES		GENERAL MARKET		3 OF 3
				D-SIZE		46436		SEE TABLE				