

4

3

2

1

THIS DRAWING IS UNPUBLISHED.

RELEASED FOR PUBLICATION

20

© COPYRIGHT 20 BY -

ALL RIGHTS RESERVED.

REVISIONS

P	LTR	DESCRIPTION	DATE	DWN	APVD
	A	INITIAL	17OCT2016	BS	CW
	A1	ECR-17-012981	06SEP2017	BS	CW
	B	ECR-21-122216	09DEC2021	WQR	CW

4X M3 SCREW
RECOMMENDED TIGHTENING TORQUE 0.5Nm
4X M3 螺丝
推荐力矩0.5Nm

2X M3 SCREW
RECOMMENDED TIGHTENING TORQUE 0.5Nm
2X M3 螺丝
推荐力矩0.5Nm

NOTES:


1. TECHNICAL CHARACTERISTICS:
FRAME MATERIAL: DIE CAST ZINC ALLOY
NUMBER OF MODULES: 1
SURFACE: SEE TABLE
MATING CYCLES: 500 CYCLES

注释:

1. 技术参数:
框架材料: 锌合金
模块数量: 1
表面处理: 见表格
插拔次数: 500次

PANEL CUT FOR FRAME USE WITHOUT HOODS/ HOUSINGS
不使用防护外壳时框架的安装开孔图

T2079104101-000	H10A-T1-M	H10A MALE MODULE FRAME, ZINC PLATED H10A模块公框架, 镀锌
T2079104201-000	H10A-T1-F	H10A FEMALE MODULE FRAME, ZINC PLATED H10A模块母框架, 镀锌
T2079104101-001	H10A-T1-M	H10A MALE MODULE FRAME, NICKEL PLATED H10A模块公框架, 镀镍
T2079104201-001	H10A-T1-F	H10A FEMALE MODULE FRAME, NICKEL PLATED H10A模块母框架, 镀镍
PART NUMBER 料号	PART DESCRIPTION 描述	

THIS DRAWING IS A CONTROLLED DOCUMENT.		DWN BELL SU 17OCT2016	 TE Connectivity				
DIMENSIONS: mm		CHK KYLE ZENG 17OCT2016			NAME H10A-T1		
TOLERANCES UNLESS OTHERWISE SPECIFIED:		APVD CHRIS WANG 17OCT2016					
0 PLC ±- 1 PLC ±- 2 PLC ±- 3 PLC ±- 4 PLC ±- ANGLES ±- FINISH ±-		PRODUCT SPEC -					
MATERIAL -		APPLICATION SPEC -	SIZE A3	CAGE CODE -	DRAWING NO. ©-T2079104X01000	RESTRICTED TO	
		WEIGHT -	CUSTOMER DRAWING		SCALE 1:1	SHEET 1 OF 2	REV B

1470-19 (3/13)

THIS DRAWING IS UNPUBLISHED.

RELEASED FOR PUBLICATION

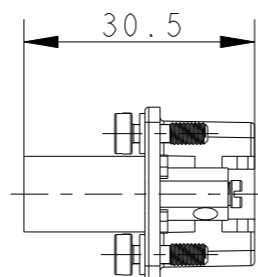
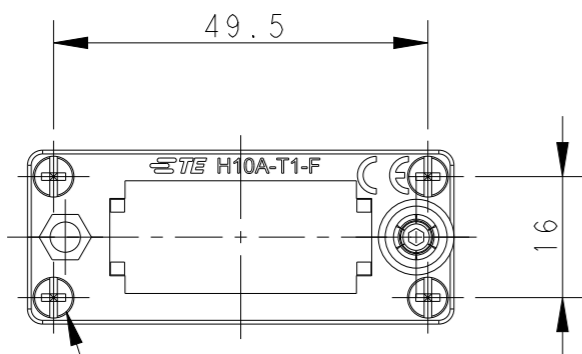
20

© COPYRIGHT 20 BY -

ALL RIGHTS RESERVED.

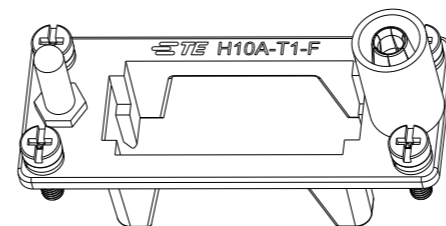
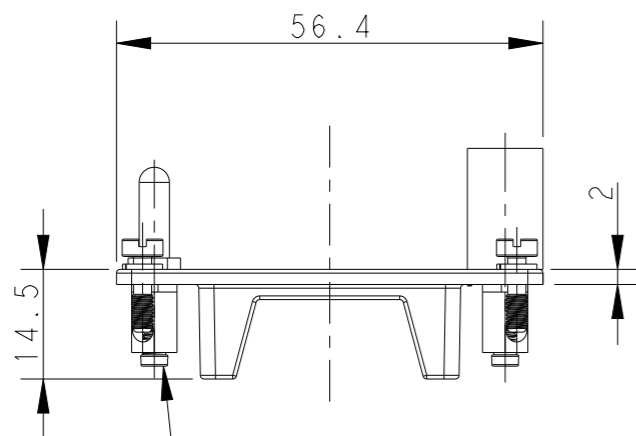
REVISIONS

P	LTR	DESCRIPTION	DATE	DWN	APVD
		SEE SHEET 1			


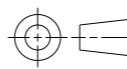


NOTES:
SEE SHEET 1

4X M3 SCREW
RECOMMENDED TIGHTENING TORQUE 0.5Nm
4X M3 螺丝
推荐力矩0.5Nm



2X M3 SCREW
RECOMMENDED TIGHTENING TORQUE 0.5Nm
2X M3 螺丝
推荐力矩0.5Nm

THIS DRAWING IS A CONTROLLED DOCUMENT.		DWN BELL SU 17OCT2016	 TE Connectivity						
DIMENSIONS: mm		CHK KYLE ZENG 17OCT2016			NAME H10A-T1				
TOLERANCES UNLESS OTHERWISE SPECIFIED:		APVD CHRIS WANG 17OCT2016							
		PRODUCT SPEC -	RESTRICTED TO						
MATERIAL -		FINISH -	APPLICATION SPEC -	SIZE A3	CAGE CODE -	DRAWING NO C-T2079104X01000	SCALE 1:1	SHEET 2 OF 2	REV B
-		FINISH -	WEIGHT -	CUSTOMER DRAWING		SCALE 1:1		SHEET 2 OF 2	REV B