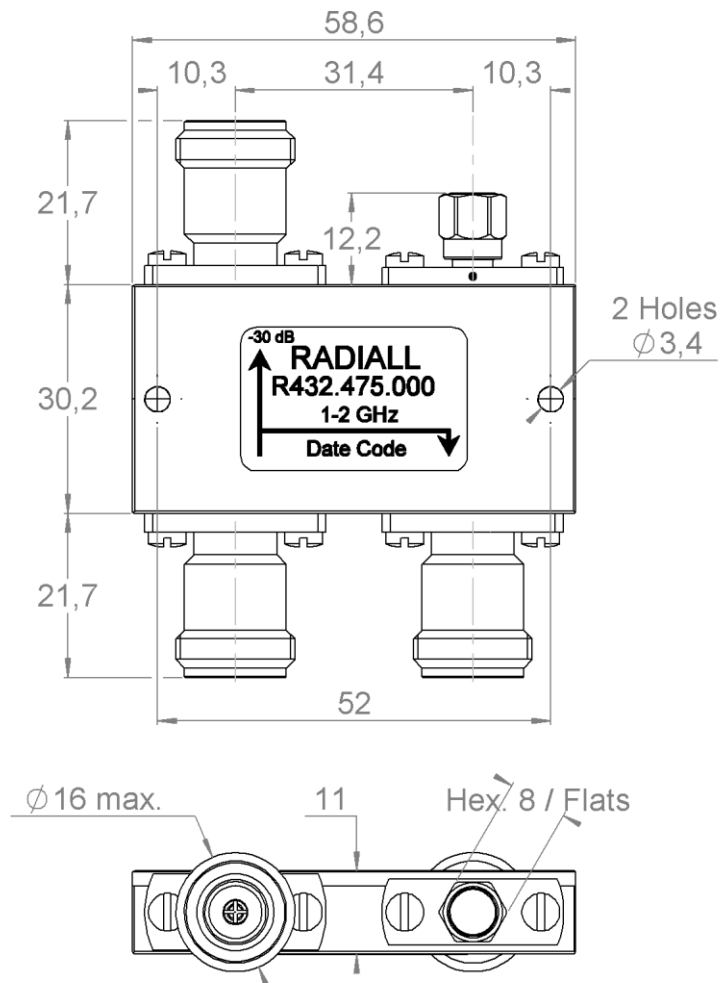


PAGE 1/2	ISSUE <b>04-12-19K</b>	SERIES <b>COUPLER</b>	PART NUMBER <b>R432475000</b>
----------	------------------------	--------------------------	-------------------------------

Scale 1 : 1



All dimensions are in mm. Tolerances according ISO 2768 m-H

Weight **113,3200** g  
Specification



## **ELECTRICAL CHARACTERISTICS**

Frequency operating range :	1 – 2 GHz
Impedance :	50 $\Omega$
VSWR : - Main Line	1.15 max.
- Coupled Line	1.15 max.
Nominal Coupling :	30 dB
Coupling Precision :	$\pm$ 1.1 dB
Insertion Loss :	0.4 dB max.
Directivity :	15 dB mini
Frequency Sensitivity :	$\pm$ 0.8 dB
Average Power at 25°C	200W
Peak Power at 25°C	5000W

## **MECHANICAL CHARACTERISTICS**

Connector type :	N female per MIL-C 39012
Coaxial Termination :	SMA 50 $\Omega$ , 1W

## **ENVIRONMENTAL CHARACTERISTICS**

Operating temperature :	-25°C / +70°C
Storage temperature :	-25°C / +70°C