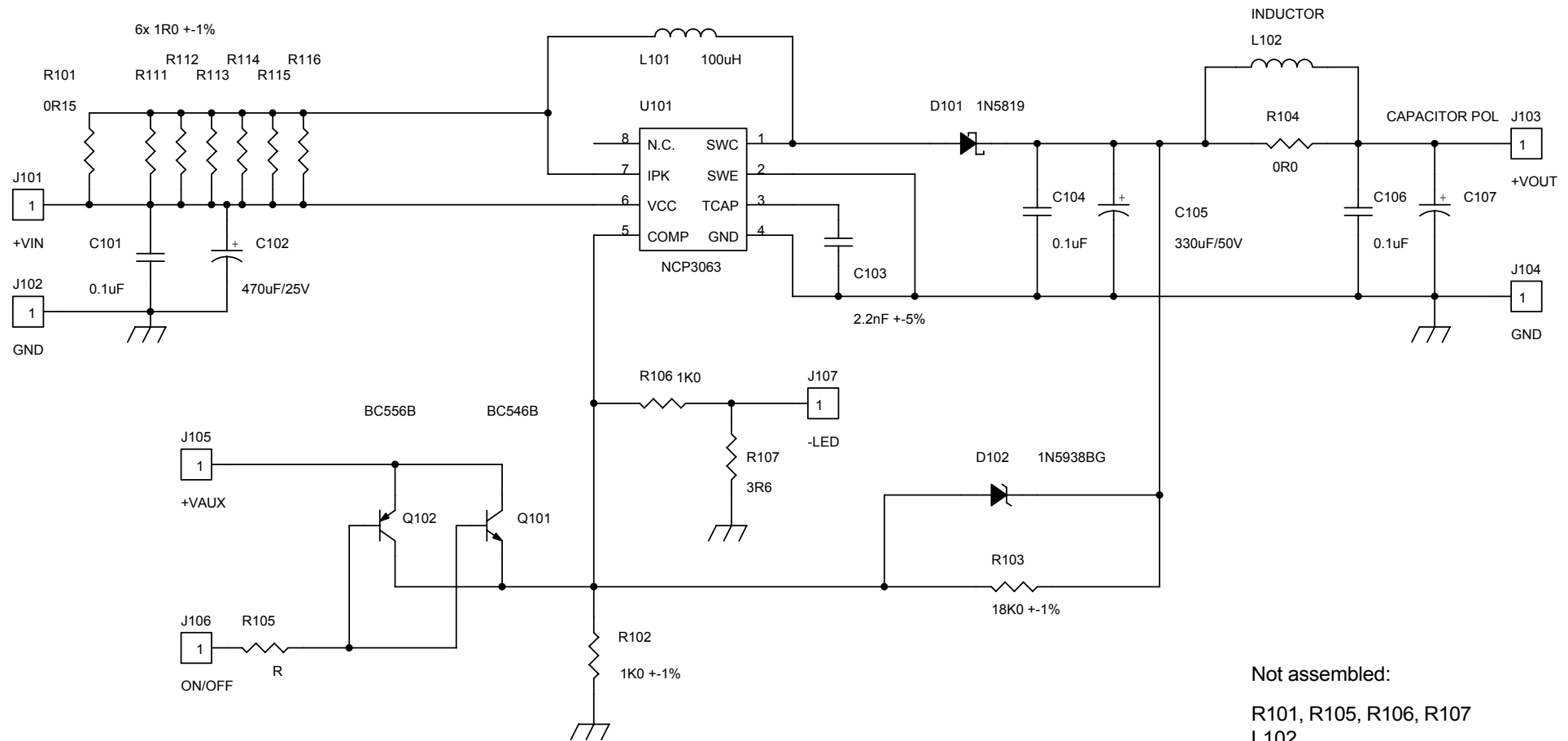




Schematic for the NCP3063 (PDIP-8) Boost Evaluation Board

8/3/2006



Not assembled:
 R101, R105, R106, R107
 L102
 C107
 Q101, Q102
 D102