

Features

- Internal Thermal Overload Protection
- Internal Short Circuit Current Limiting
- No External Components Required
- Output Voltage Offered in 2% Tolerance
- Moisture Sensitivity Level 1
- Epoxy Meets UL 94 V-0 Flammability Rating
- Halogen Free Available Upon Request By Adding Suffix "-HF"
- Lead Free Finish/RoHS Compliant(Note 1) ("P" Suffix Designates RoHS Compliant. See ordering information)

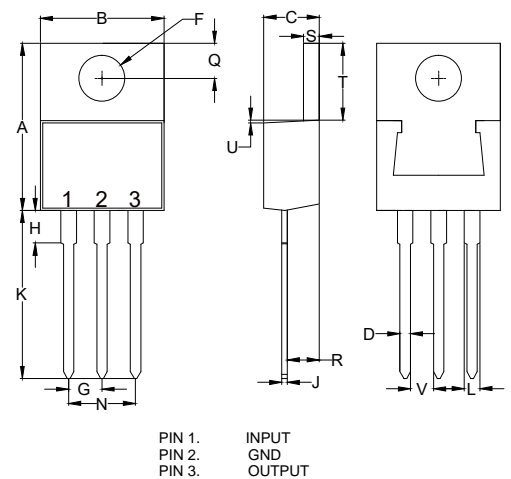
Maximum Ratings

Parameter	Symbol	Value	Unit
Input Voltage	V_I	30	V
Output Current	I_o	1.0	A
Power Dissipation	P_D	15	W
Operating Junction Temperature $(\theta_{JA})^* \wedge$	T_{OPR}	-20~75	°C
Storage Temperature Range	T_{STG}	-55~125	°C

Notes: 1. High Temperature Solder Exemption Applied, see EU Directive Annex 7a.

Three-Terminal Positive Voltage Regulators

TO-220



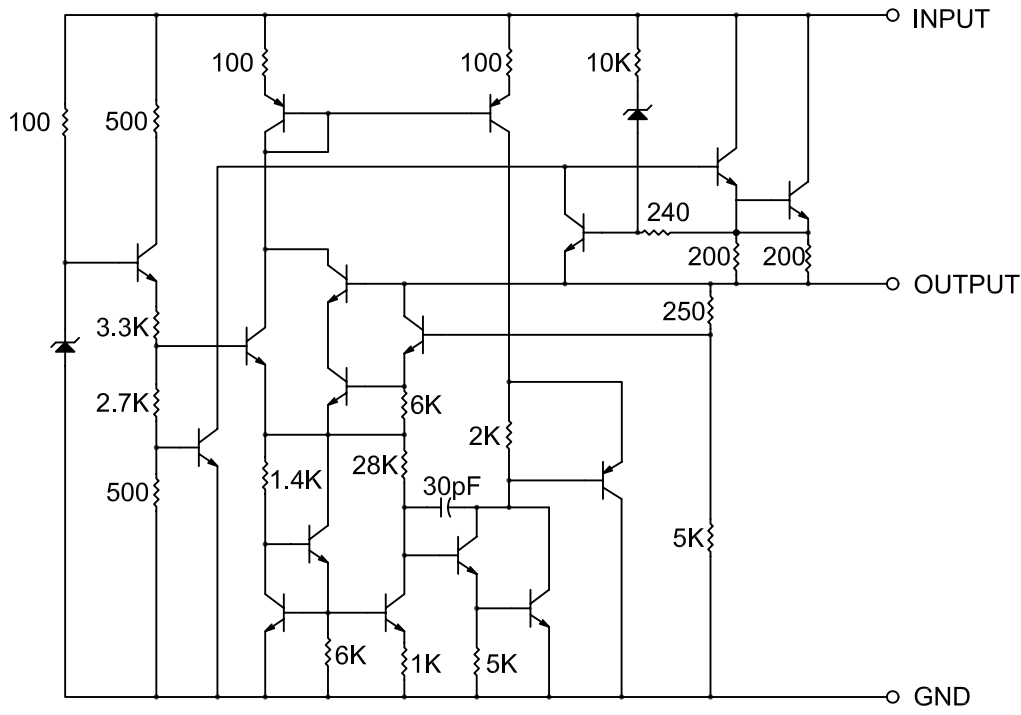
DIM	INCHES		MM		NOTE
	MIN	MAX	MIN	MAX	
A	0.560	0.625	14.22	15.88	
B	0.380	0.420	9.65	10.67	
C	0.140	0.190	3.56	4.82	
D	0.020	0.045	0.51	1.14	
F	0.139	0.161	3.53	4.09	Φ
G	0.090	0.110	2.29	2.79	
H	-----	0.250	-----	6.35	
J	0.012	0.025	0.30	0.64	
K	0.500	0.580	12.70	14.73	
L	0.045	0.060	1.14	1.52	
N	0.190	0.210	4.83	5.33	
Q	0.100	0.135	2.54	3.43	
R	0.080	0.115	2.04	2.92	
S	0.045	0.055	1.14	1.39	
T	0.230	0.270	5.84	6.86	
U	-----	0.050	-----	1.27	
V	0.045	-----	1.15	-----	

Electrical Characteristics

 ($V_i=14V$, $I_o=500mA$, $0^{\circ}C < T_j < 125^{\circ}C$, $C_i=0.33\mu F$, $C_o=0.1\mu F$, Unless Otherwise Specified)

Parameter	Symbol	Test Conditions	Min	Typ	Max	Unit
Output Voltage	V _o	T _j =25°C	7.84	8.0	8.16	V
		10.5V ≤ V _i ≤ 23V, 5mA ≤ I _o ≤ 1000mA, P _D =15W	7.74	-	8.26	V
Load Regulation	ΔV _o	5mA ≤ I _o ≤ 1500mA, T _j =25°C	-	12.0	160	mV
		250mA ≤ I _o ≤ 750mA, T _j =25°C	-	4.0	80	mV
Line Regulation	ΔV _o	10.5V ≤ V _i ≤ 25V, T _j =25°C	-	6.0	160	mV
		11V ≤ V _i ≤ 17V, T _j =25°C	-	2.0	80	mV
Quiescent Current	I _q	T _j =25°C, I _o =0	-	4.3	8.0	mA
Quiescent Current Change	ΔI _q	10.5V ≤ V _i ≤ 25V,	-	-	1.0	mA
		5mA ≤ I _o ≤ 1000mA	-	-	0.5	mA
Output Noise Voltage	V _N	10Hz ≤ f ≤ 100KHz, T _j =25°C	-	52	-	μV
Ripple Rejection	RR	f=120Hz	56	72	-	dB
Dropout Voltage	V _d	T _j =25°C, I _o =1.0A	-	2	-	V
Output Short Circuit Current	R _o	f=1.0KHz	-	16	-	mohm
Output Short Circuit Current	I _o s	T _j =25°C	-	450	-	mA
Peak Output Current	I _{opeak}	T _j =25°C	-	2.2	-	A
Temperature Coefficient of Output Voltage	ΔV _o /ΔT _j	0°C ≤ T _j ≤ 125°C, I _o =5.0mA	-	1.8	-	mV/°C

Representation Schematic Diagram



Ordering Information

Device	Packing
Part Number-BP	Bulk:50pcs/Tube,1Kpcs/Box,5Kpcs/Carton

Note : Adding "-HF" Suffix For Halogen Free, eg. Part Number-BP-HF

IMPORTANT NOTICE

Micro Commercial Components Corp. reserves the right to make changes without further notice to any product herein to make corrections, modifications , enhancements , improvements , or other changes . **Micro Commercial Components Corp.** does not assume any liability arising out of the application or use of any product described herein; neither does it convey any license under its patent rights ,nor the rights of others . The user of products in such applications shall assume all risks of such use and will agree to hold **Micro Commercial Components Corp.** and all the companies whose products are represented on our website, harmless against all damages. **Micro Commercial Components Corp.** products are sold subject to the general terms and conditions of commercial sale, as published at <https://www.mccsemi.com/Home/TermsAndConditions>.

LIFE SUPPORT

MCC's products are not authorized for use as critical components in life support devices or systems without the express written approval of Micro Commercial Components Corporation.

CUSTOMER AWARENESS

Counterfeiting of semiconductor parts is a growing problem in the industry. Micro Commercial Components (MCC) is taking strong measures to protect ourselves and our customers from the proliferation of counterfeit parts. MCC strongly encourages customers to purchase MCC parts either directly from MCC or from Authorized MCC Distributors who are listed by country on our web page cited below. Products customers buy either from MCC directly or from Authorized MCC Distributors are genuine parts, have full traceability, meet MCC's quality standards for handling and storage. **MCC will not provide any warranty coverage or other assistance for parts bought from Unauthorized Sources.** MCC is committed to combat this global problem and encourage our customers to do their part in stopping this practice by buying direct or from authorized distributors.