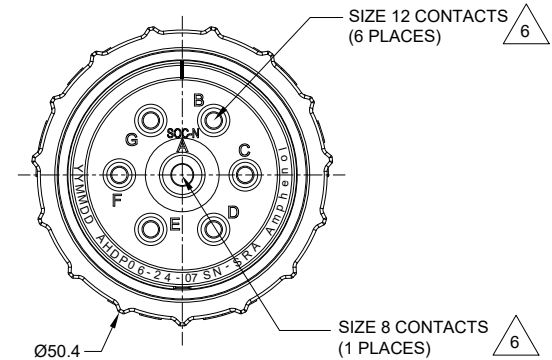
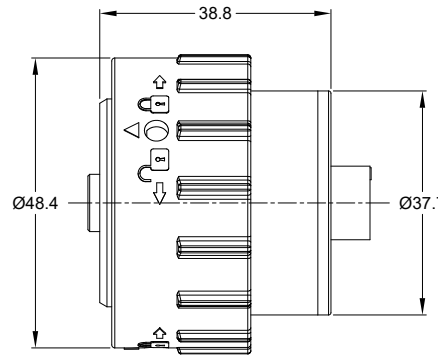
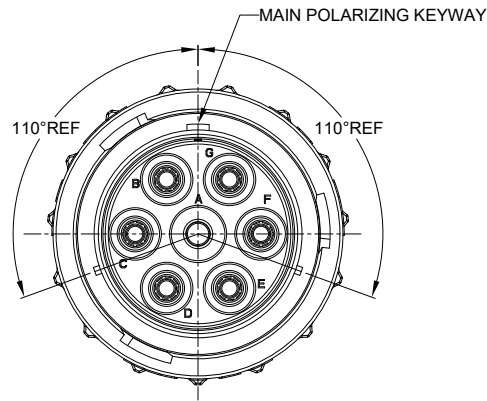


REVISIONS					
REV	ECO	DESCRIPTION	DATE	BY	APPR
A1	--	RELEASE NEW DRAWING	12MAY20	IAN	TOMMY
A2	--	MODIFY PRODUCT NAME	11AUG20	IAN	TOMMY



NOTES: UNLESS OTHERWISE SPECIFIED

- MATERIAL:
HOUSING: THERMOPLASTIC; BLACK
SEAL: SILICONE RUBBER
- MODIFICATIONS: SMOOTH RING ADAPTER;
STANDARD DIA. WIRE SEAL.
- SPECIFICATIONS:
 - OPERATING TEMPERATURE: -55°C TO +125°C.
 - DIELECTRIC WITHSTANDING VOLTAGE: LESS THAN 2 MILLIAMPS CURRENT LEAKAGE @ 1500 VOLTS AC.
 - INSULATION RESISTANCE: 1000 MEGOHM MIN @ 25°C.
 - MOISTURE RESISTANCE: IP67&IP69K (MATED CONDITION).
 - MATING CYCLE DURABILITY: 100 CYCLES
 - RoHS COMPLIANT

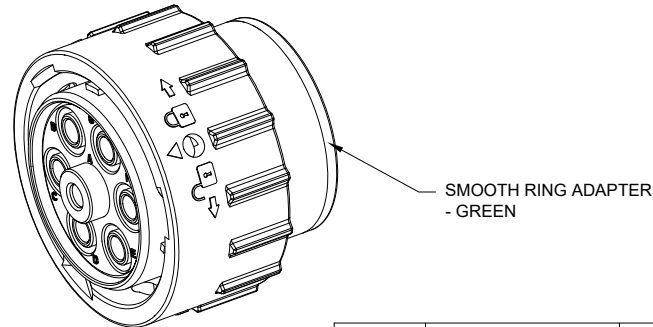
4. MATING PART: AHDP04-24-07P* (* = SEAL TYPE)

5. ALL DIMENSIONS ARE FOR REFERENCE USE ONLY.

6. CONTACT SIZE AND WIRE RANGE:

CONTACT SIZE	MIN. INSUL O.D.	MAX. INSUL O.D.	TYPICAL WIRE RANGE	CURRENT RATING
8	4.83 mm (.190 in)	6.10 mm (.240 in)	8-10 AWG (10.0-5.0mm ²)	80 AMPS
12	3.40 mm (.134 in)	4.32 mm (.170 in)	14-20 AWG (2.0-0.5mm ²)	13 AMPS

7. RECEPTACLE IS SUPPLIED WITH DUST CAP.



AHDP06-24-07SN-SRA		PART NUMBER		DESCRIPTION		ITEM
QUANTITY		MATERIALS LIST				
UNLESS OTHERWISE SPECIFIED						
1) All dimensions are in metric (mm).						
2) Tolerances are as follows:						
1 PL DEC ±0.30 Fractions ±1/64						
2 PL DEC ±0.15 Angles ±1°						
3 PL DEC ±0.08						
3) Note reference =						
SIGNATURES		DATE		 Sine Systems - www.amphenol-sine.com 44724 Morley Drive Clinton Township, MI 48036		
DRAWN: IAN XIAO		11AUG20				
CHECKED: ORION LI		12AUG20				
ENGINEER:						
APPROVAL: TOMMY XIE		13AUG20		PLUG, SIZE 24, 7-SOCKET, NORMAL SEAL, SRA, DURAMATE AHDP SERIES		
MATERIAL SPECIFICATIONS:		CUSTOMER:		THIS DRAWING IS SUPPLIED FOR INFORMATION ONLY. DESIGN FEATURES, SPECIFICATIONS AND PERFORMANCE DATA SHOWN HEREON ARE THE PROPERTY OF THE AMPHENOL CORPORATION. NO RIGHTS OF REPRODUCTION ARE IMPLIED. ALL DIMENSIONS ARE SUBJECT TO NORMAL MANUFACTURING VARIATIONS.		
PROCESS SPECIFICATIONS:		SCALE: NONE		SIZE: B C-		TYPE: AHDP06-24-07SN-SRA
NEXT ASSY:		DURAMATE		SHEET 1 OF 1		REVISION: A2

TITLE: PLUG, SIZE 24, 7-SOCKET, NORMAL SEAL, SRA, DURAMATE AHDP SERIES
DWG NO: AHDP06-24-07SN-SRA
REV: A2
SH: 1
OF: 1