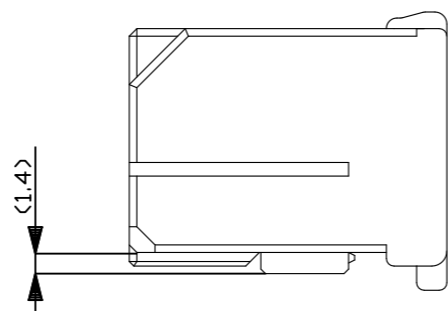
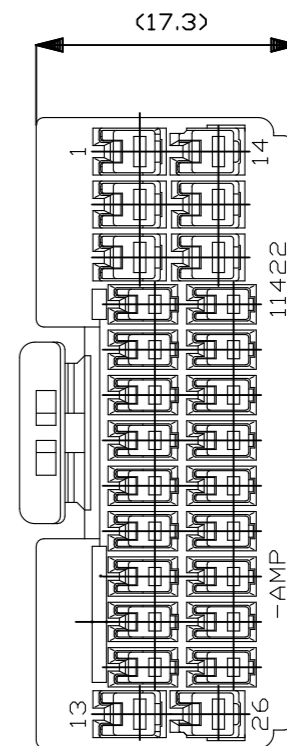
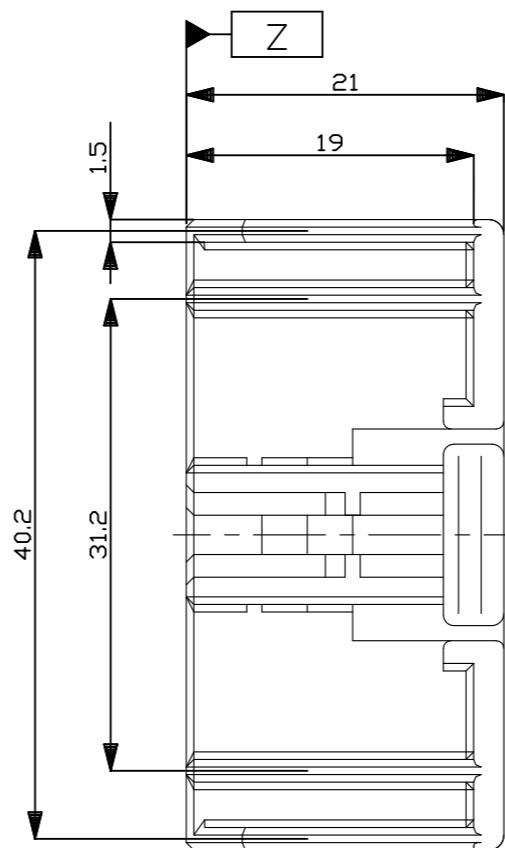
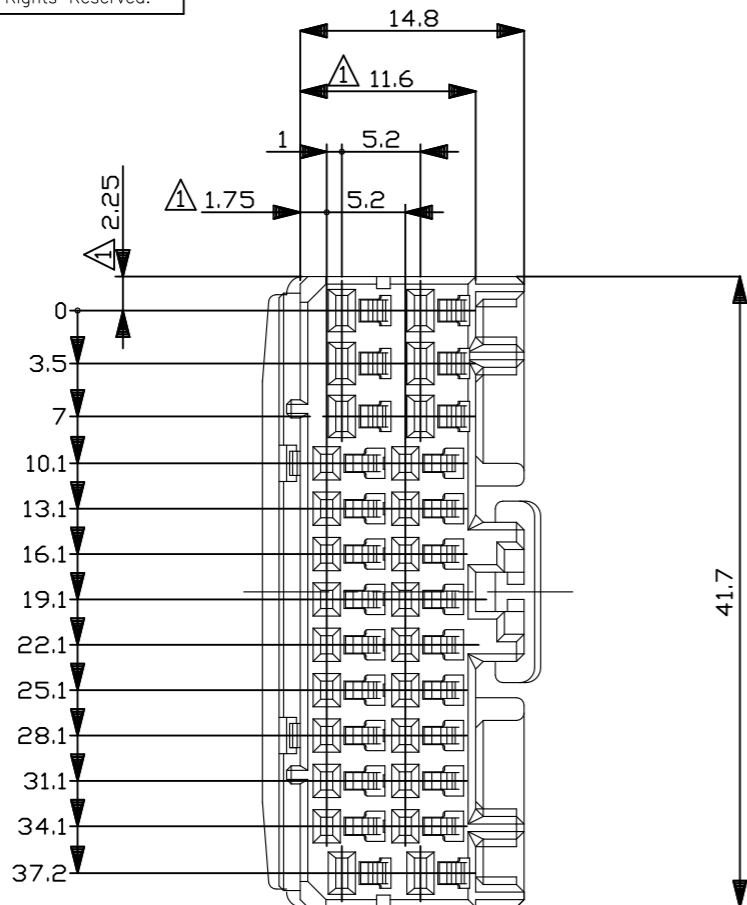


P	LTR	DESCRIPTION	DATE	DWN	APVD
	B1	REVISED PER ECR-23-165252	02FEB2023	RK	MT



NOTES;


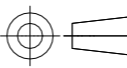
- MUST BE KEPT BETWEEN [Z] AND 2mm.
- THE MATING CAP HOUSING PART NUMBER;176206,178900
- APPLIED CONTACT PART NUMBER .040:175265,175266
.070:175275,175276,175268,175269
- APPLICABLE PRODUCT SPEC;108-5342

RETAINER COLOR:ALL WHITE

注;

- [Z] 面より2mmの範囲で測定
- 嵌合相手ハウジング型番:176206, 178900
- 内装するリセプタクル型番:.040端子:175265,175266
.070端子:175275,175276,175268,175269
- 適用製品規格番号;108-5342
リテーナは全て白色

	淡灰 (LIGHT GRAY)	6-917997-6
	橙 (ORANGE)	917997-8
OBSOLETE	灰 (DARK GRAY)	917997-6
	緑 (GREEN)	917997-4
OBSOLETE	黒 (BLACK)	917997-2
	白 (WHITE)	917997-1
	色 (COLOR)	型番 (P/N)

THIS DRAWING IS A CONTROLLED DOCUMENT.		DWN T.SHINOHARA 5/22'95	 TE Connectivity .040/.070 HYBRID I/O CONN. MK-II 26Pos. PLUG HOUSING(FOR 3 ROW)					
DIMENSIONS: mm		CHK D.MATSUURA 5/19'95				NAME		
		APVD A.TOMITA 5/22'95				PRODUCT SPEC		
TOLERANCES UNLESS OTHERWISE SPECIFIED:		APPLICATION SPEC						
0 PLC ± - 1 PLC ± - 2 PLC ± - 3 PLC ± - 4 PLC ± - ANGLES ± -		WEIGHT						
MATERIAL PBT		FINISH SEE TABLE			RESTRICTED TO			
一般公差 (GENERAL TOLERANCE) 10以下 ±0.2 10を超え 30以下 ±0.25 30を超え 100以下 ±0.3 角度 ±3°		SIZE A3 00779 C-917997			SCALE 2:1			
		CUSTOMER DRAWING			SHEET 1 OF 1			
					REV B1			