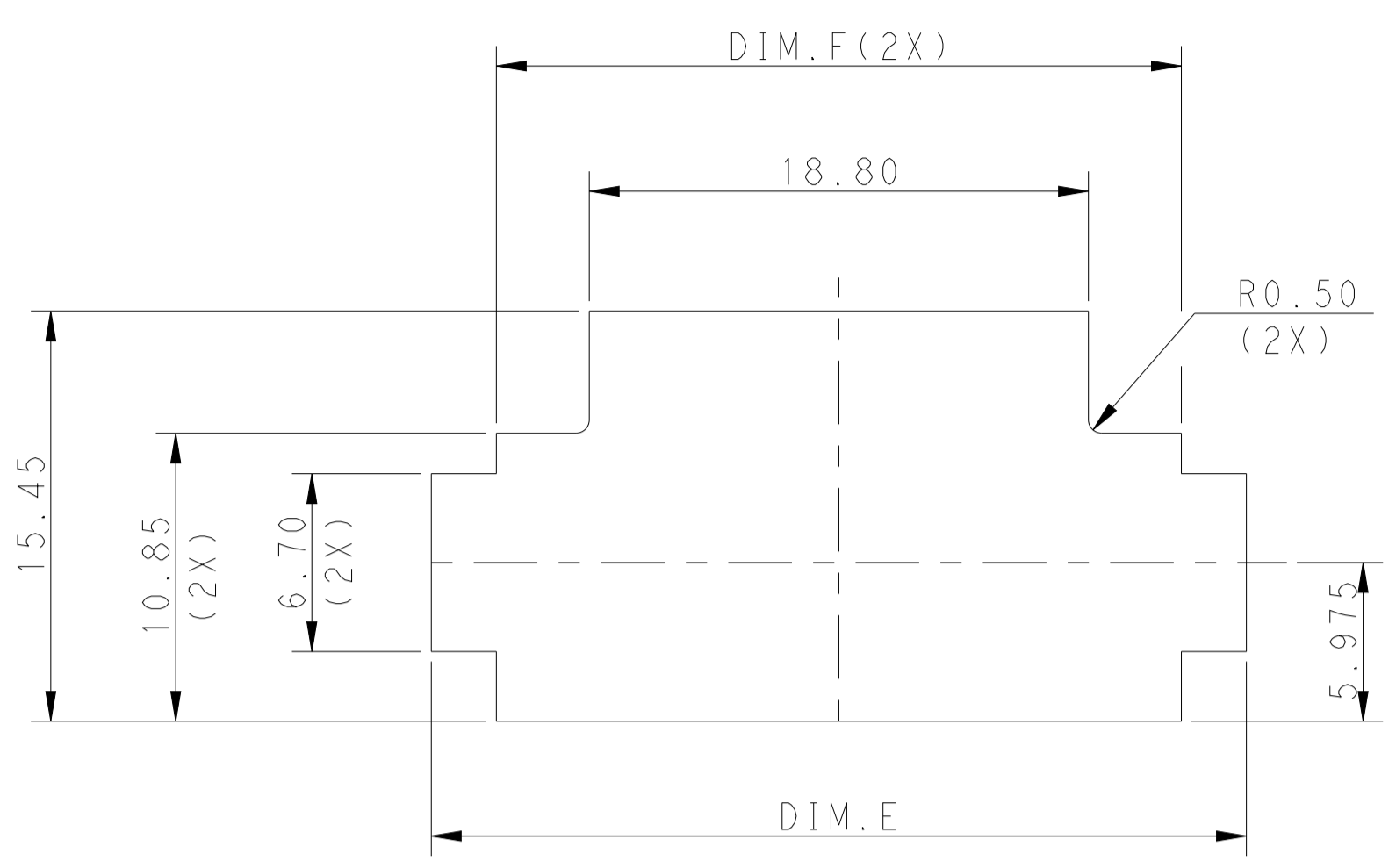
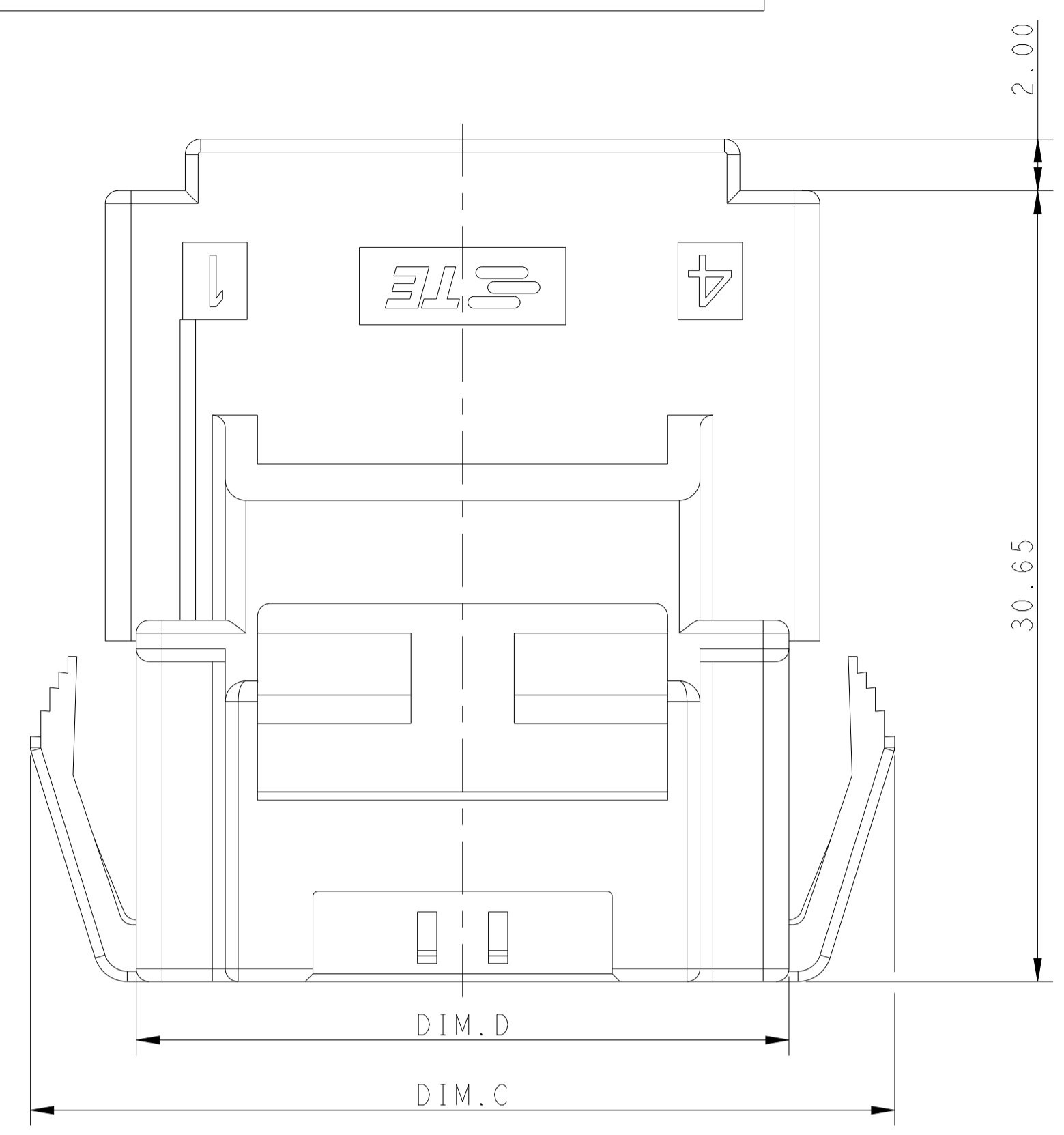


| REVISIONS | | | | |
|-----------|-----|---------------------------|-----------|--------|
| P | LTN | DESCRIPTION | DATE | APVD |
| G | | REVISED PER ECR-22-137850 | 11MAY2023 | SKR CM |

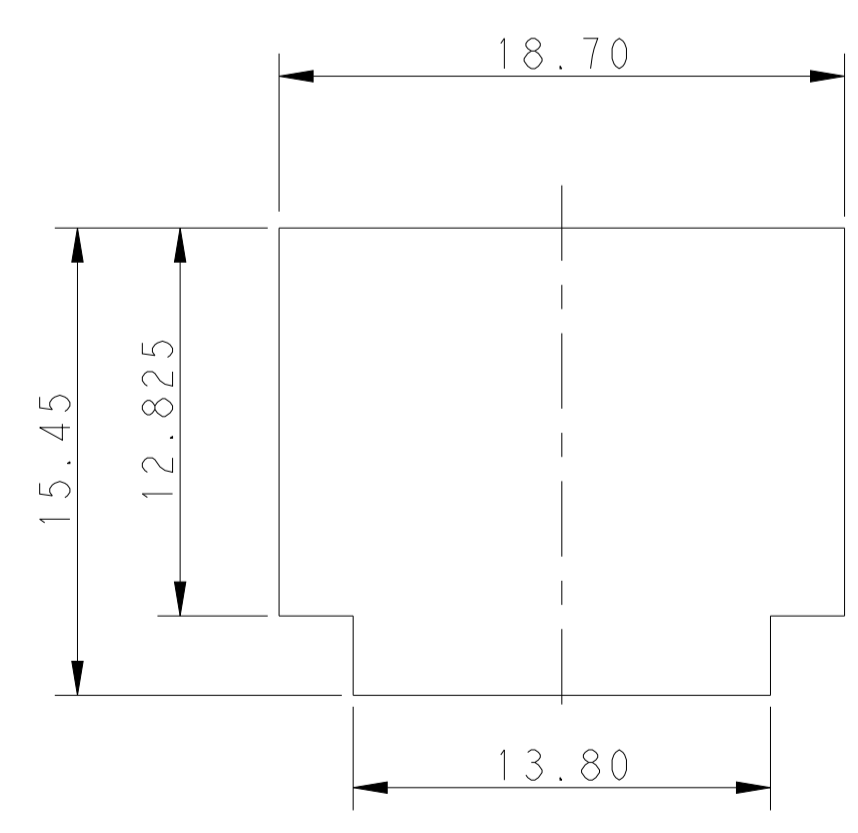
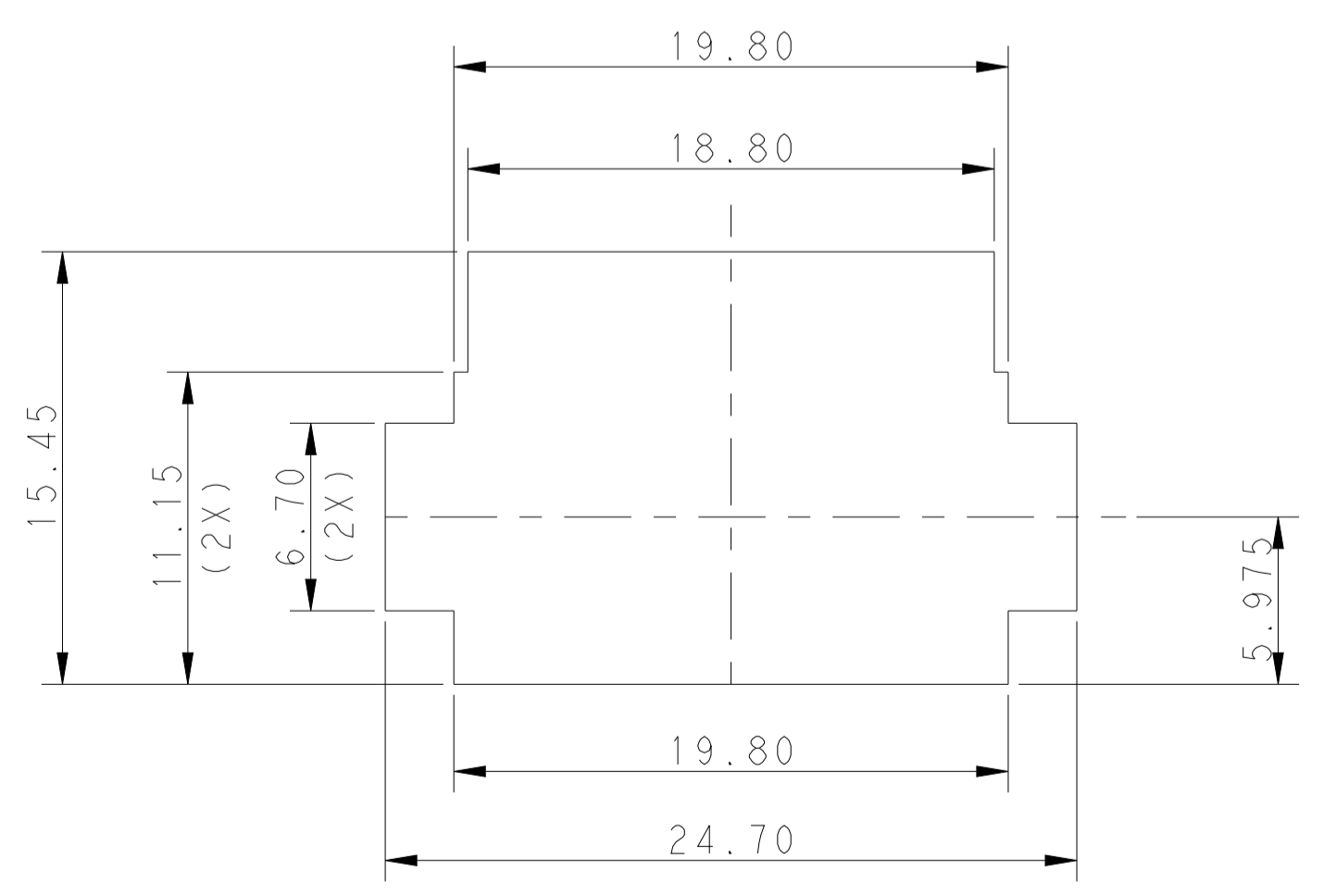
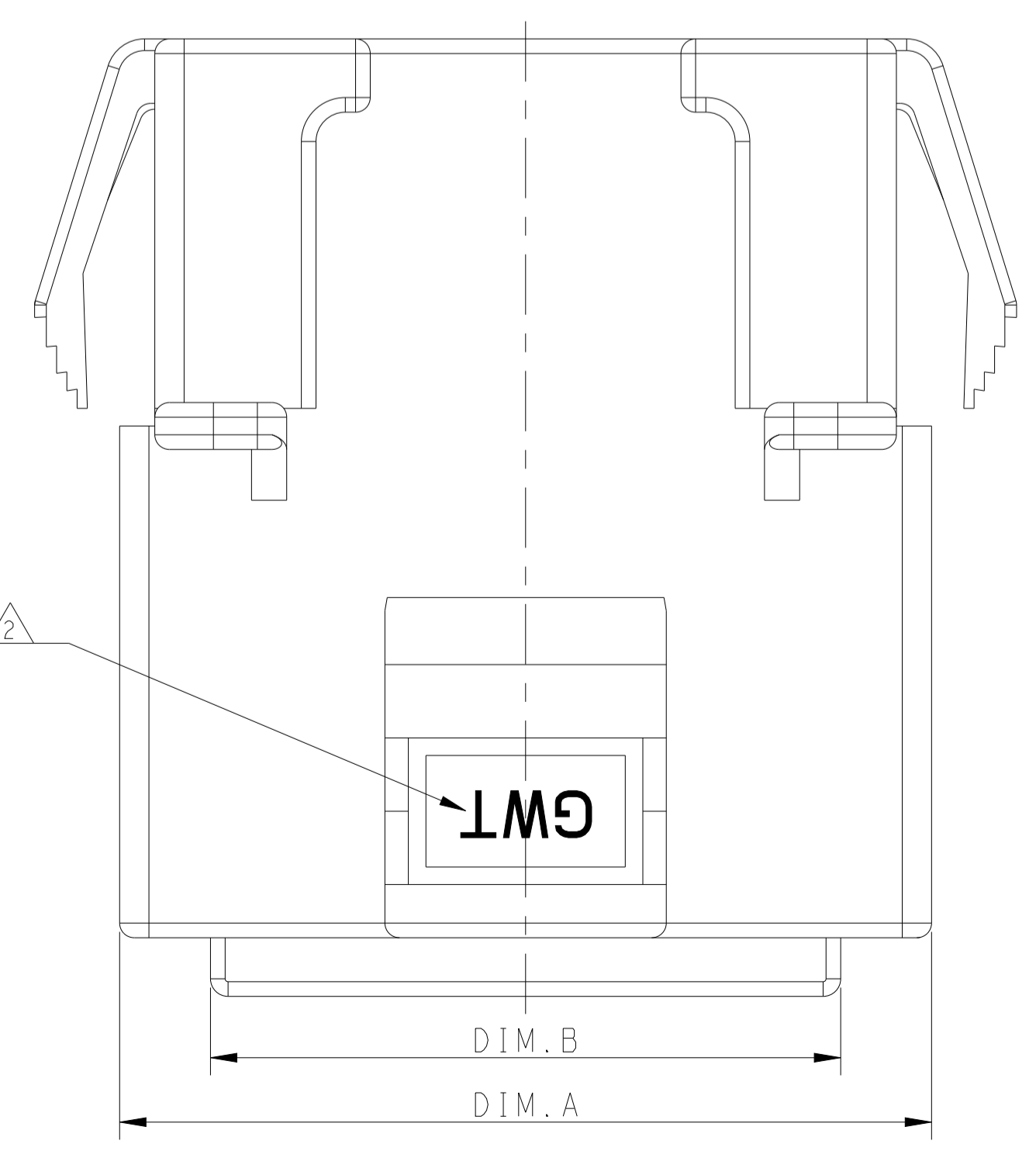
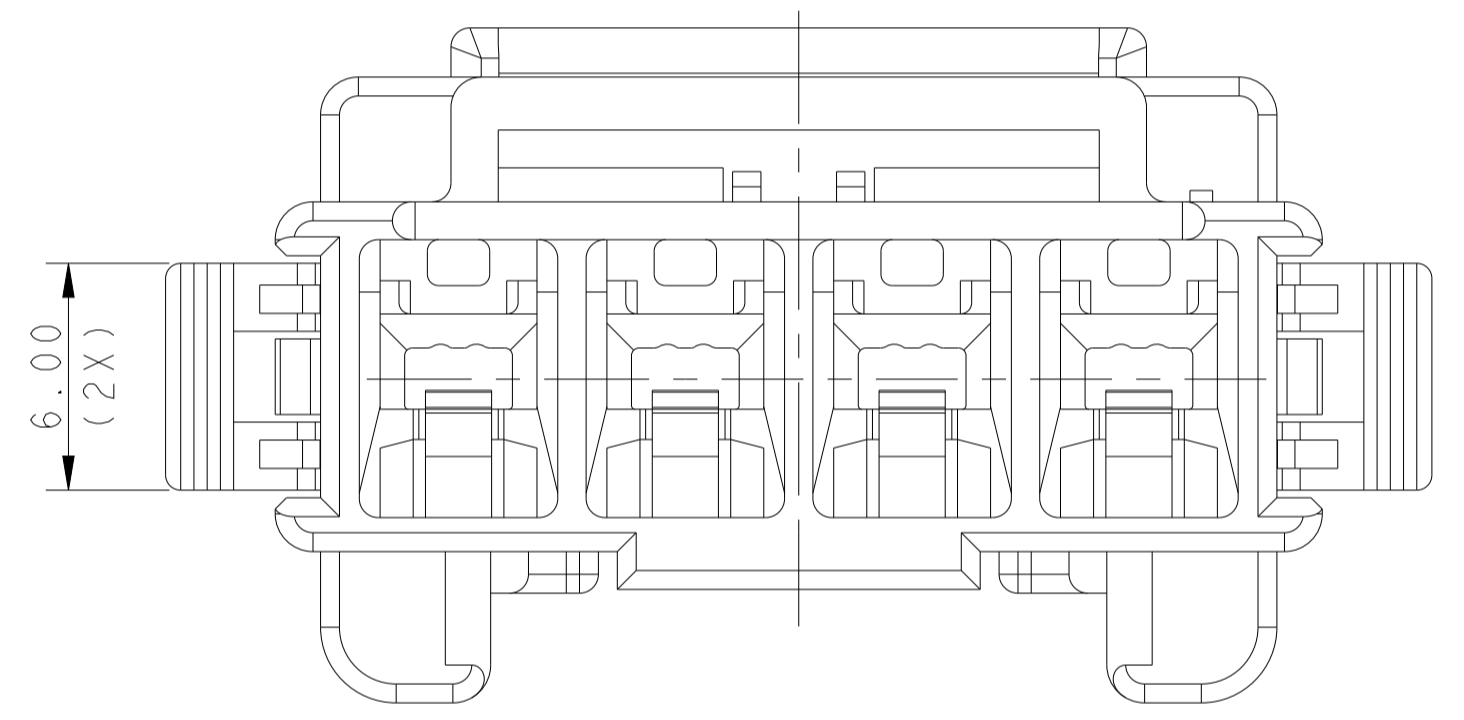
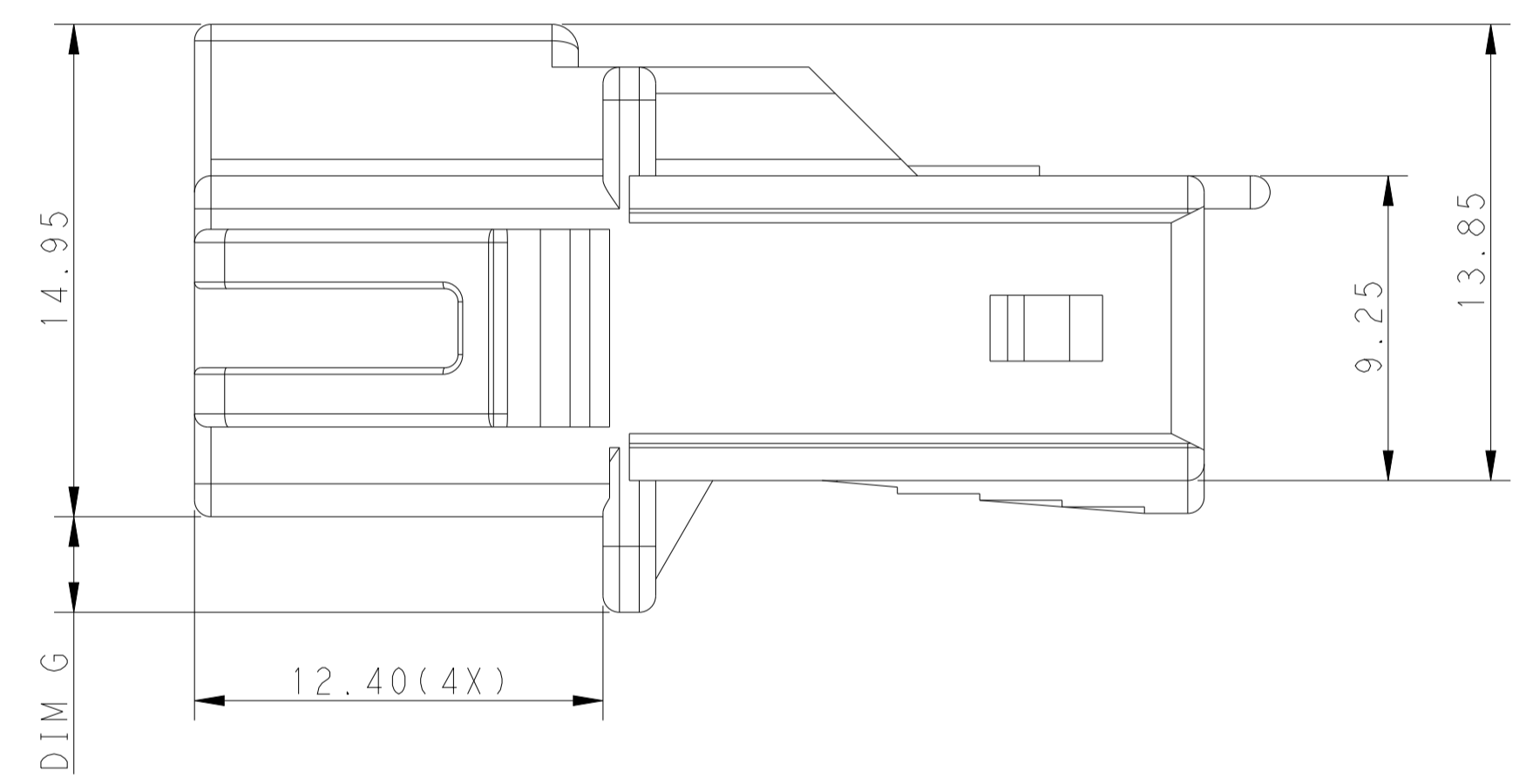
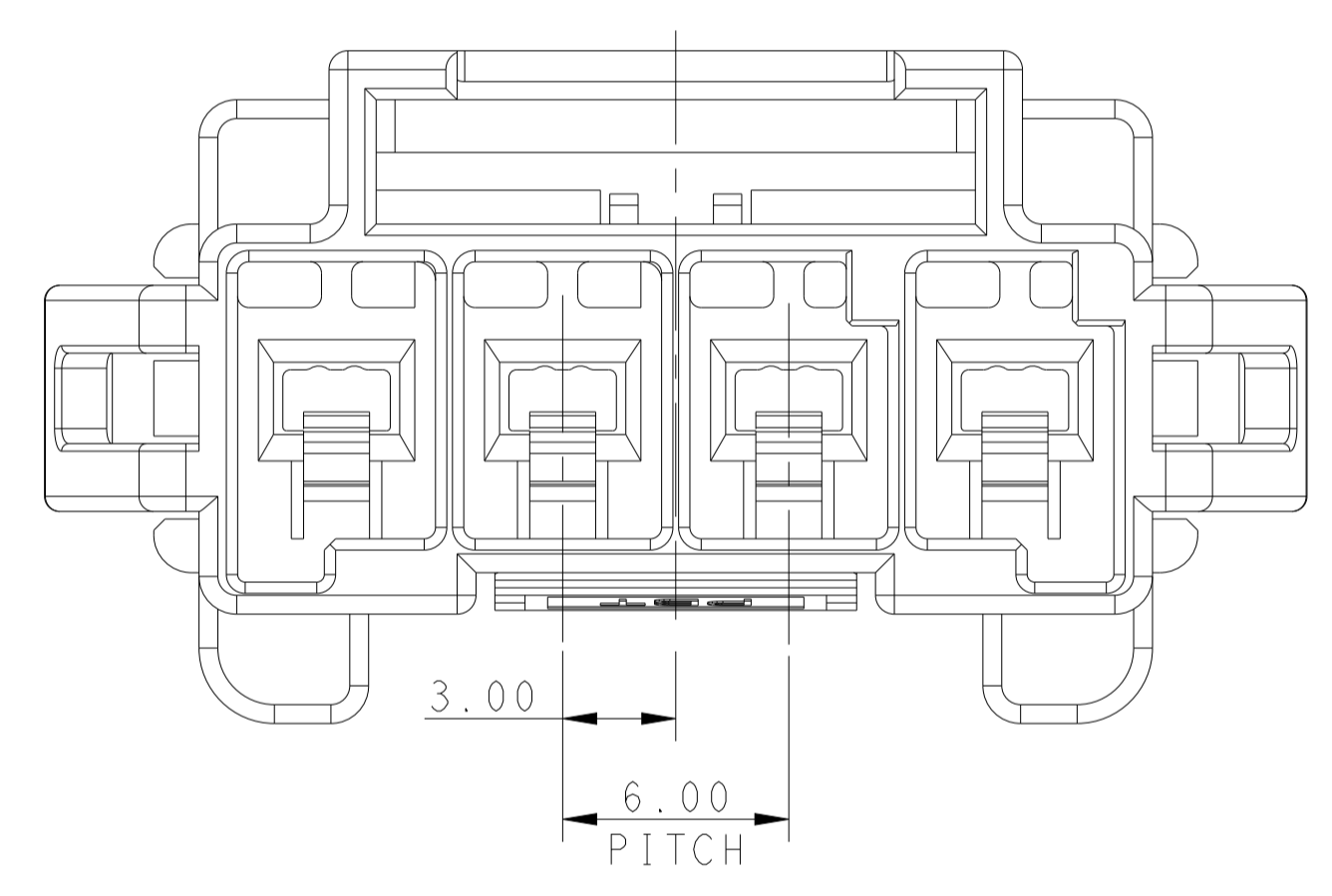


MATERIAL:
 LEVEL A: PA66 GLASS FILLED, COMPLY WITH GLOW WIRE REQUIREMENTS FOR PARTS OF NON-METALLIC MATERIAL SUPPORTING A CURRENT-CARRYING CONNECTION DETAILED IN IEC 60335-1, SECTION 30 (GWT), UL 94V-0
 LEVEL B: PBT GLASS FILLED, HOT WIRE IGNITION (HWI) VERSION ARE MOLDED IN A RESIN THAT COMPLIES WITH THE HOT WIRE IGNITION TEST 109-32026 AND ARE RECOMMENDED FOR USE WITH HWI HOUSINGS THAT ALSO COMPLY, UL 94V-0

- MATERIAL MARK:**
 LEVEL A: GWT, LEVEL B: HWT
- 3 APPLICABLE CONTACT P/N
 TAB CONTACT: 1971238/1971780/1971782/1971784/1971786/1971788-*, 2238067-*
 - 4 MATING CONN, P/N
 PLUG HSG: *-2232265-*,
 TPA (LOCK PLATE): *-1971777-*
 - 5 RECOMMENDED PANEL THICKNESS: 1.0~2.0mm
 - 6 LEVEL A MATERIAL IS SHOWN IN ALL VIEWS EXCEPT WHERE INDICATED BY NOTE 7.

RECOMMENDED PANEL OPENING DIMENSIONS FOR CAP HOUSING 1*5 AND 1*4 POSITIONS (TOLERANCE: ±0.15mm)

LEVEL B MATERIAL, KEY A AND B ONLY, THESE END KEYS ARE RECESSED.



RECOMMENDED PANEL OPENING DIMENSIONS FOR CAP HOUSING 1*3 POSITION (TOLERANCE: ±0.15mm)

RECOMMENDED PANEL OPENING DIMENSIONS FOR CAP HOUSING 1*2 POSITION (TOLERANCE: ±0.15mm)

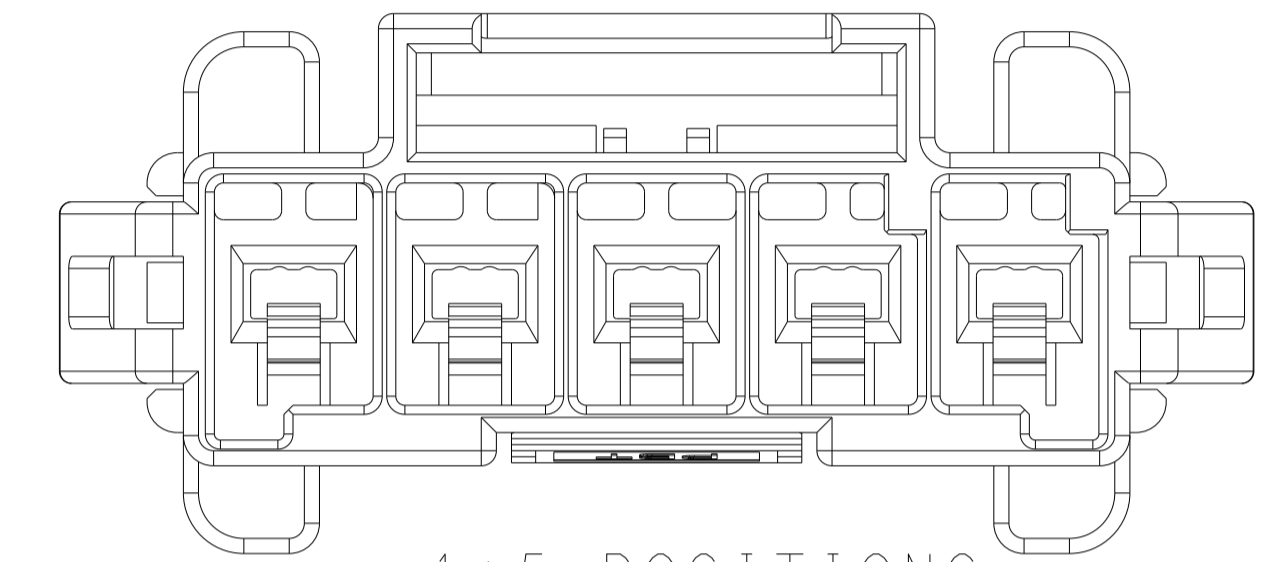
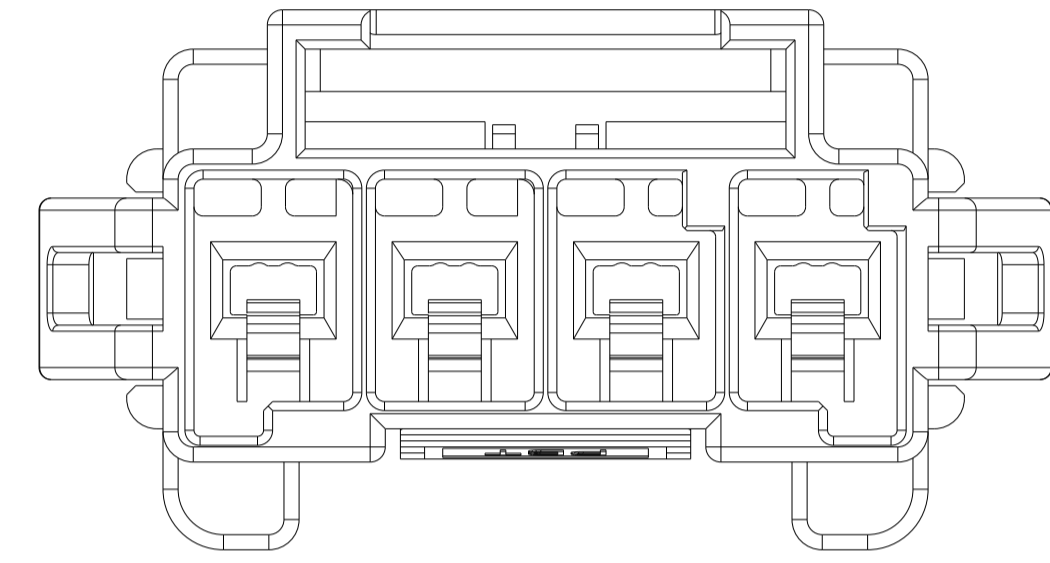
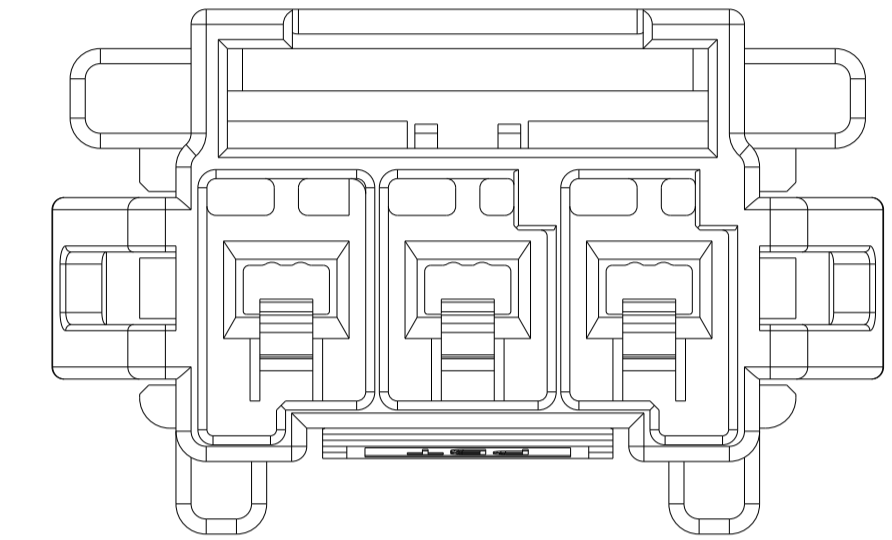
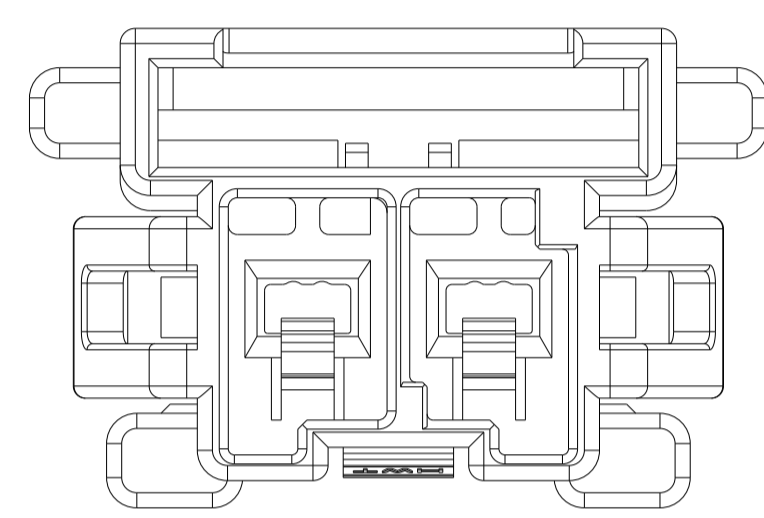
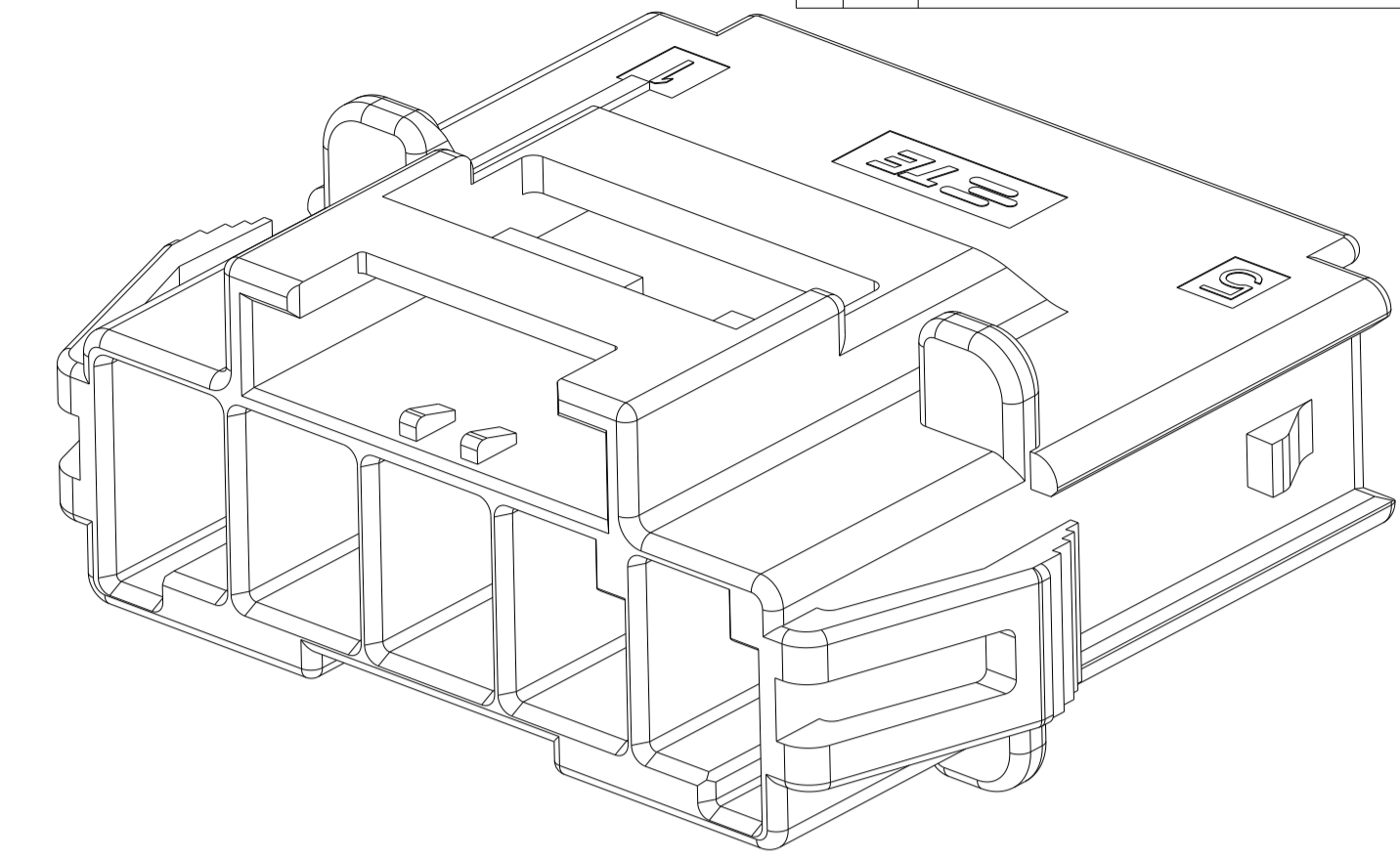
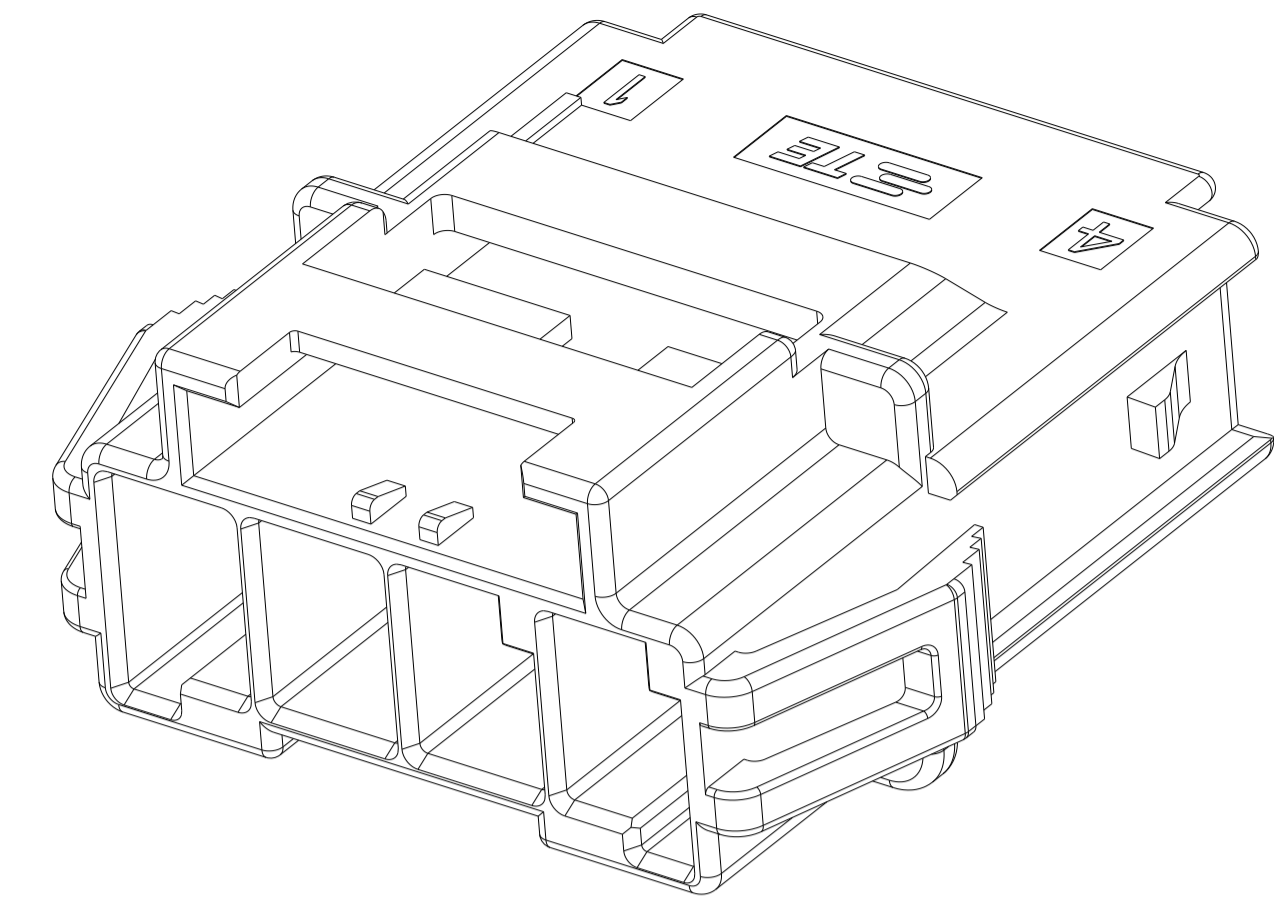
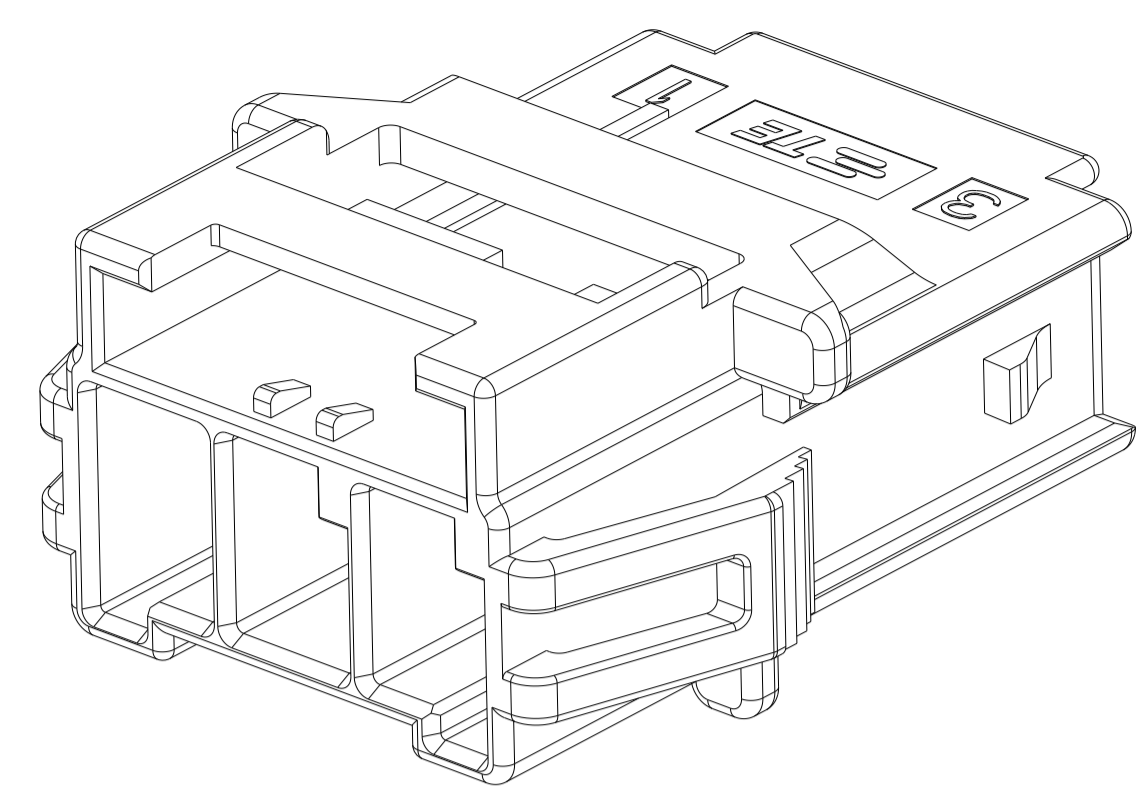
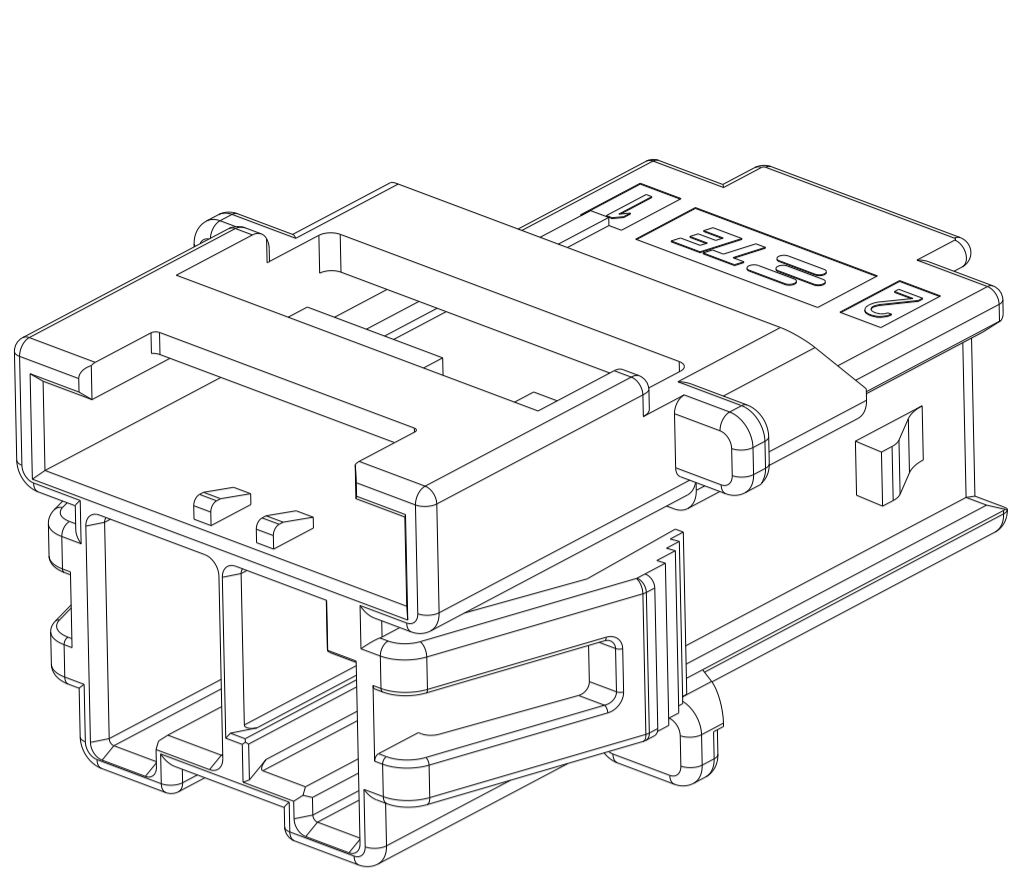
| POS | Dim. A | Dim. B | Dim. C | Dim. D | Dim. E | Dim. F | Dim. G |
|-----|--------|--------|--------|--------|--------|--------|--------|
| 1*5 | 33.70 | 27.50 | 39.5 | 31.30 | 36.70 | 31.80 | 2.9 |
| 1*4 | 27.70 | 21.50 | 33.5 | 25.30 | 30.70 | 25.80 | 2.9 |
| 1*3 | 21.70 | 15.50 | 27.5 | 19.30 | | | 2.5 |
| 1*2 | 15.70 | 9.50 | 21.5 | 13.30 | | | 1.1 |

THIS DRAWING IS A CONTROLLED DOCUMENT.

| | | | | | | | | |
|----------------|--|-------------|-------------|-------------|-------------|-------------|-----------|--------|
| DIMENSIONS: mm | TOLERANCES UNLESS OTHERWISE SPECIFIED: | 0 PLC ±0.35 | 1 PLC ±0.25 | 2 PLC ±0.20 | 3 PLC ±0.20 | 4 PLC ±0.20 | ANGLES ±° | FINISH |
|----------------|--|-------------|-------------|-------------|-------------|-------------|-----------|--------|

| | | | |
|--------------------------|------------------------------|----------------------------|--|
| APVD: TOMMY WU 26MAR2013 | CHK: HAPYE WU 26MAR2013 | APVD: YUHONG MAO 26MAR2013 | NAME: CAP HOUSING, PANEL MOUNT, SINGLE ROW POWER TRIPLE LOCK |
| PRODUCT SPEC: 108-106118 | APPLICATION SPEC: 114-106118 | WEIGHT: - | RESTRICTED TO: - |
| Customer Drawing | SCALE: 5:1 | SHEET: 1 OF 2 | REV: G |

| REVISIONS | | | | |
|-----------|-------------|------|-----|------|
| P. LTR. | DESCRIPTION | DATE | OWN | APVD |
| - | SEE SHEET 1 | - | - | - |

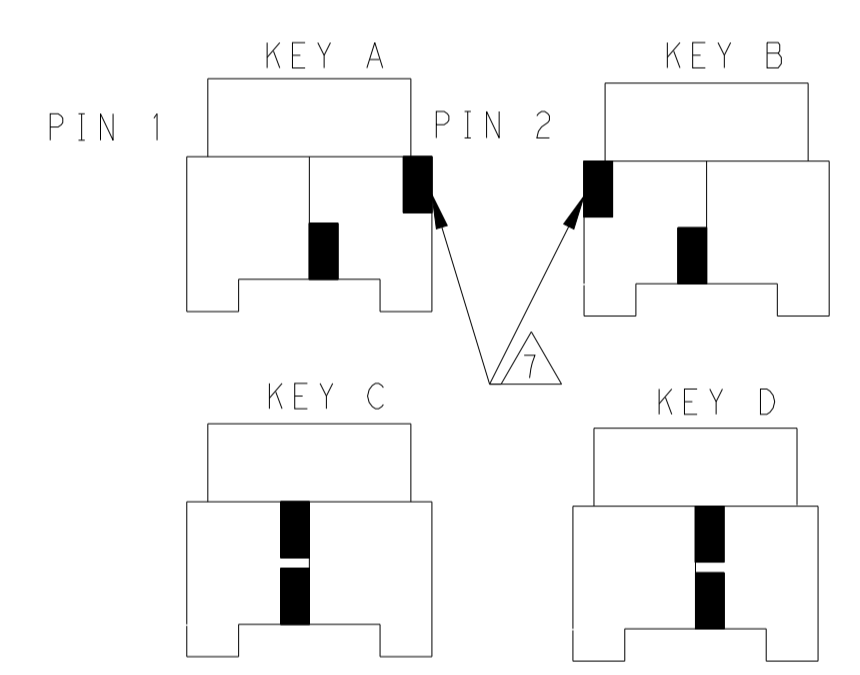


1*2 POSITIONS

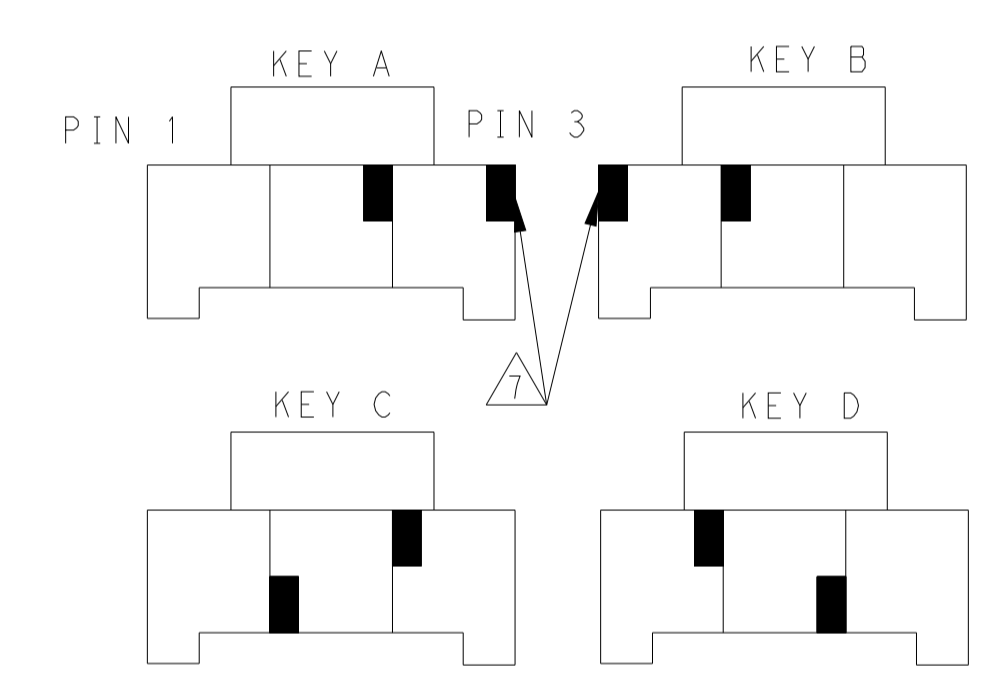
1*3 POSITIONS

1*4 POSITIONS

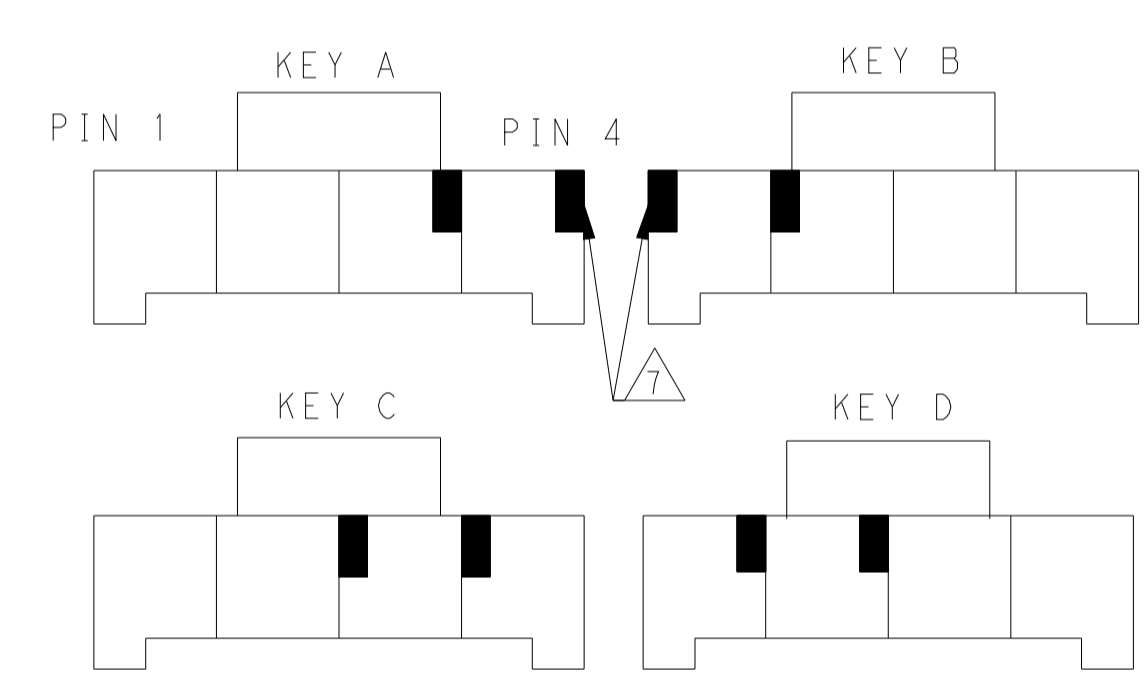
1*5 POSITIONS



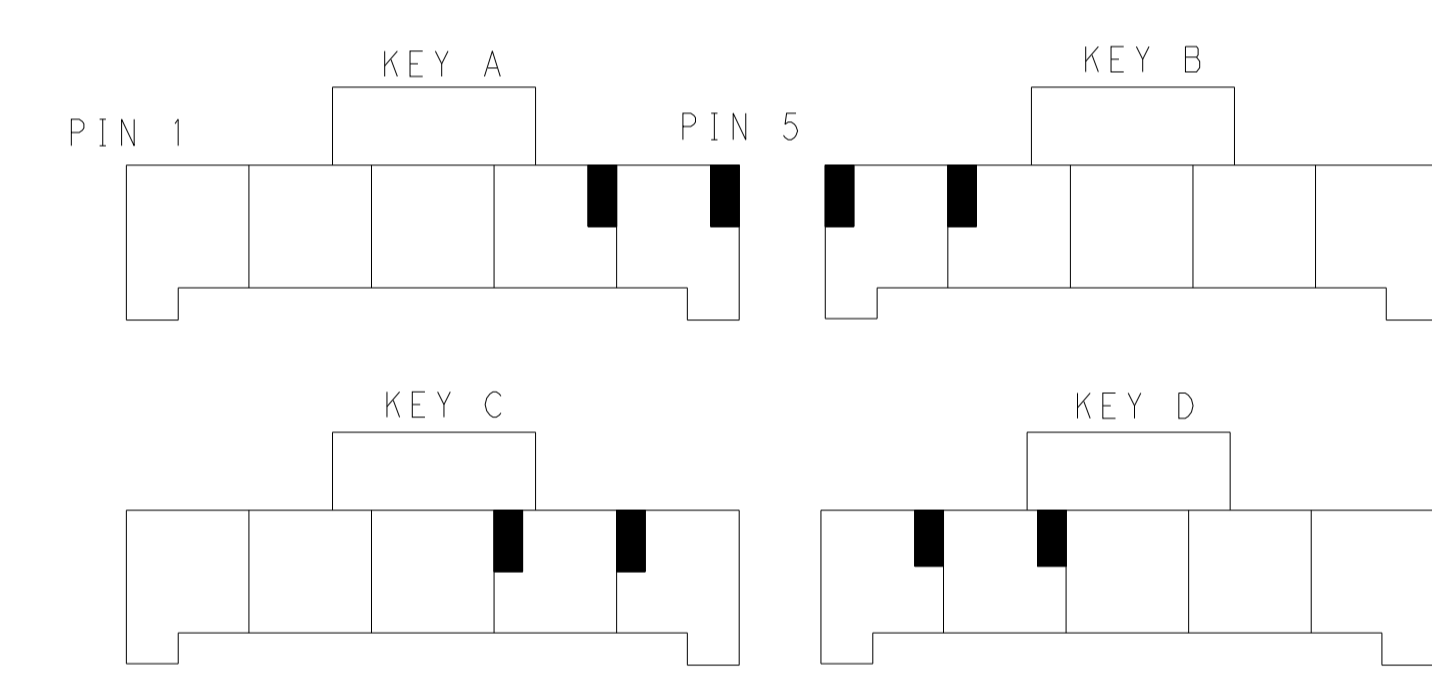
KEYING FOR 1*2 POS.



KEYING FOR 1*3 POS.

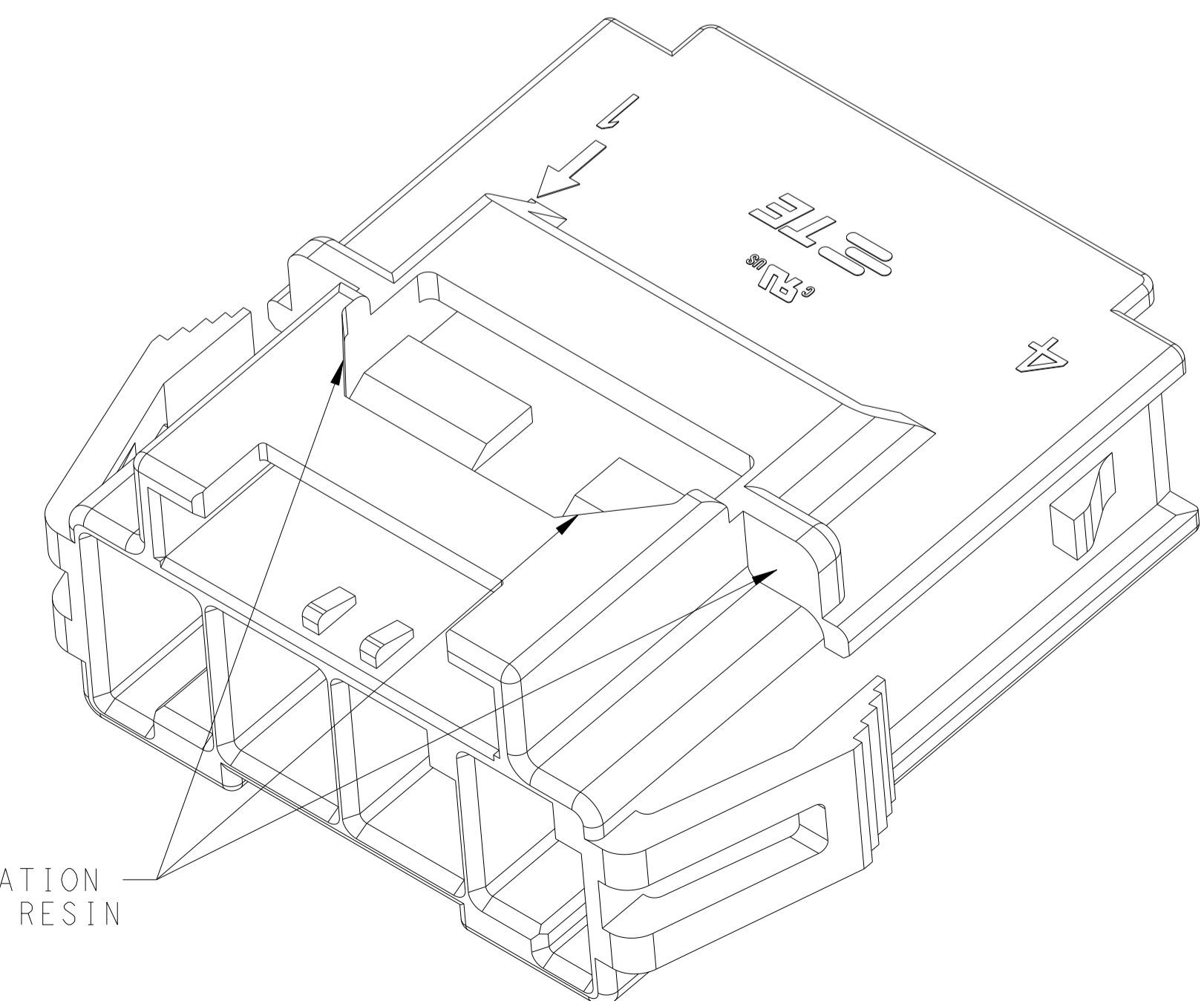


KEYING FOR 1*4 POS.



KEYING FOR 1*5 POS.

| POS. | MATERIAL | COLOR | KEY | P/N |
|------|----------|-----------|-------|-------------|
| 1*5 | LEVEL A | DARK GREY | KEY A | 5-2232263-7 |
| | | BROWN | KEY B | 6-2232263-7 |
| | | GREEN | KEY C | 7-2232263-7 |
| | | ORANGE | KEY D | 8-2232263-7 |
| 1*4 | LEVEL B | BLACK | KEY A | 1-2232263-3 |
| | | DARK GREY | KEY A | 5-2232263-4 |
| | | BROWN | KEY B | 6-2232263-4 |
| | | GREEN | KEY C | 7-2232263-4 |
| 1*4 | LEVEL A | ORANGE | KEY D | 8-2232263-4 |
| | | BLACK | KEY A | 1-2232263-2 |
| | | DARK GREY | KEY A | 5-2232263-3 |
| | | BROWN | KEY B | 6-2232263-3 |
| 1*3 | LEVEL A | GREEN | KEY C | 7-2232263-3 |
| | | ORANGE | KEY D | 8-2232263-3 |
| | | BLACK | KEY A | 1-2232263-2 |
| | | DARK GREY | KEY A | 5-2232263-2 |
| 1*3 | LEVEL B | BROWN | KEY B | 6-2232263-2 |
| | | GREEN | KEY C | 7-2232263-2 |
| | | ORANGE | KEY D | 8-2232263-2 |
| | | NATURAL | KEY B | 2-2232263-1 |
| 1*2 | LEVEL A | BLACK | KEY A | 1-2232263-1 |
| | | DARK GREY | KEY A | 5-2232263-2 |
| | | BROWN | KEY B | 6-2232263-2 |
| | | GREEN | KEY C | 7-2232263-2 |
| 1*2 | LEVEL B | ORANGE | KEY D | 8-2232263-2 |
| | | NATURAL | KEY B | 2-2232263-1 |
| | | BLACK | KEY A | 1-2232263-1 |
| | | DARK GREY | KEY A | 5-2232263-2 |



ALTERNATE CONFIGURATION FOR LEVEL B, HWT, RESIN

| | | | |
|--|--|--|--|
| THIS DRAWING IS A CONTROLLED DOCUMENT. | | OWN: TOMMY WU 26MAR2013 | TE Connectivity |
| DIMENSIONS: mm | | CHK: HAPYE WU 26MAR2013 | |
| TOLERANCES UNLESS OTHERWISE SPECIFIED: | | APVD: YUHONG MAO 26MAR2013 | NAME: CAP HOUSING, PANEL MOUNT, SINGLE ROW POWER TRIPLE LOCK PRODUCT SPEC: 108-106118 APPLICATION SPEC: 114-106118 |
| 0 PLC ±0.35 1 PLC ±0.25 2 PLC ±0.20 3 PLC ±0.20 4 PLC ±0.20 ANGLES ±° | | SIZE: CAGE CODE DRAWING NO. RESTRICTED TO WEIGHT: A100779C=2232263 Customer Drawing SCALE SHEET 2 OF 2 REV G | |