

PROPER USE GUIDELINES

Cumulative Trauma Disorders can result from the prolonged use of manually powered hand tools. AMP hand tools are intended for occasional use and low volume applications. AMP offers a wide selection of powered application equipment for extended-use, production operations.

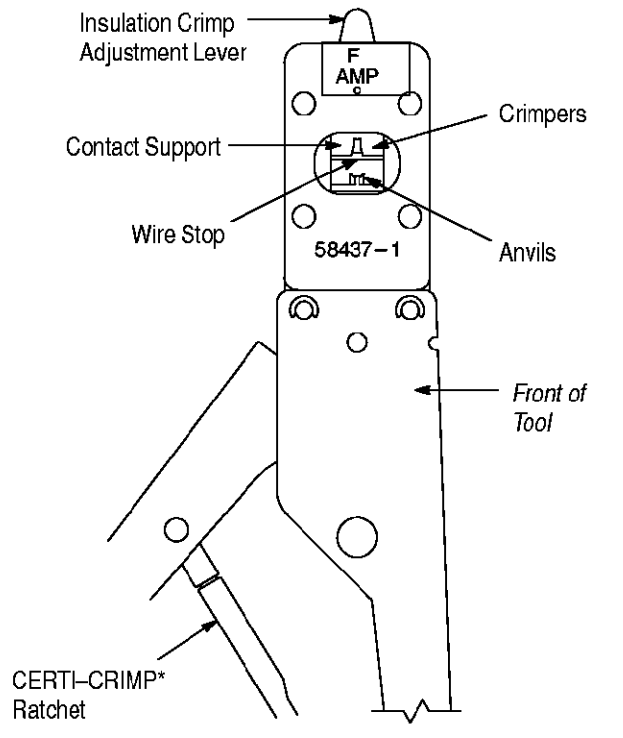


Figure 1

1. INTRODUCTION

AMP* Hand Crimping Tool 58437-1 is used to crimp AMPMODU* short point contacts listed in Figure 1 onto wire sizes 24 through 20 AWG with an insulation diameter range of 0.64 through 1.52 mm [.025 through .060 in.]. Read these instructions thoroughly before crimping any contacts.

NOTE Dimensions in this instruction sheet are in millimeters [with inches in brackets]. Figures are not drawn to scale.

Reasons for reissue are provided in Section 7, REVISION SUMMARY.

2. DESCRIPTION

The tool features two upper fixed dies (crimpers), two lower movable dies (anvils), insulation crimp adjustment lever, contact support, locator/insulation stop, wire stop, ejector, and CERTI-CRIMP ratchet. When mated, the dies form one crimping chamber. The FRONT of the tool, into which the contact is inserted, has the tool number marked on it. The BACK of the tool, into which the wire is inserted, has the wire size marked on it.

The insulation crimp adjustment lever is used to regulate the crimp height of the contact insulation barrel. The contact support prevents the contact from bending during the crimping operation.

The locator/insulation stop positions the contact between the dies before crimping; and limits the insertion distance of the stripped wire into the contact. In use, it rests in the locator slot of the contact. The wire stop helps to position the contact between the dies and locate the wire in the contact. The ejector pulls the locator down, and ejects the crimped contact when the tool handles are fully opened.

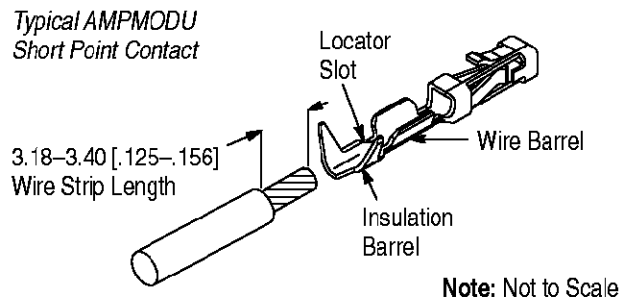
The CERTI-CRIMP ratchet assures full crimping of the contact. Once engaged, the ratchet will not release until the handles have been FULLY closed.

CAUTION The dies bottom before the CERTI-CRIMP ratchet releases. This feature ensures maximum electrical and tensile performance of the crimp. Do NOT re-adjust the ratchet.

3. CRIMPING PROCEDURE

Make sure that the specified wire size and insulation diameter is compatible with the contact and tool. Strip the wire to the length indicated in Figure 2—do NOT cut or nick the wire strands.

NOTE If using strip-form contact, the cutoff tabs MUST meet the dimension requirement stated on the customer drawing for the product or Application Specification 114-25038.



LOOSE PIECE CONTACT	STRIP-FORM CONTACT
104479-5	104479-2
104479-6	104479-3
104479-7	104479-4

Figure 2

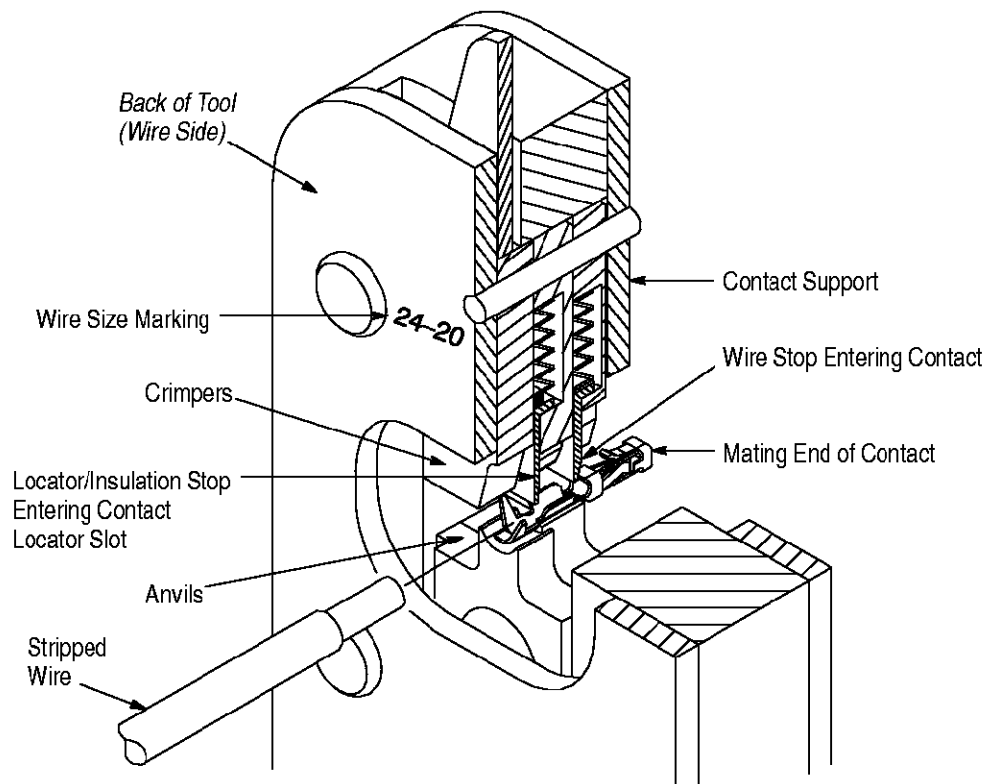


Figure 3

Proceed as follows:

1. Hold tool so BACK side (wire side) faces you.
2. Ensure that the tool ratchet is released by squeezing tool handles and allowing them to open.
3. Insert contact, mating end first, into the crimping chamber from the BACK of tool. Position contact between crimpers so that the locator/insulation stop enters the contact locator slot. Make sure that the wire barrel butts against the locator/insulation stop. See Figure 3.
4. Holding the contact in position, squeeze the tool handles together until insulation barrel anvil starts entry into the upper insulation crimper. Do NOT deform contact insulation barrel or wire barrel.
5. Insert a properly stripped wire through the wire slot in the locator and into the contact wire barrel until the wire insulation butts against the locator/insulation stop.
6. Holding the wire in place, squeeze the tool handles together until the ratchet releases. Allow tool handles to open FULLY.
7. Remove crimped contact from tool, and inspect the crimp according to Figure 4.

NOTE

For detailed crimp inspection requirements, refer to Application Specification 114-25038.

Insulation Barrel Must Wrap Around But Not Penetrate Wire Insulation and Arms Must Not Overlap

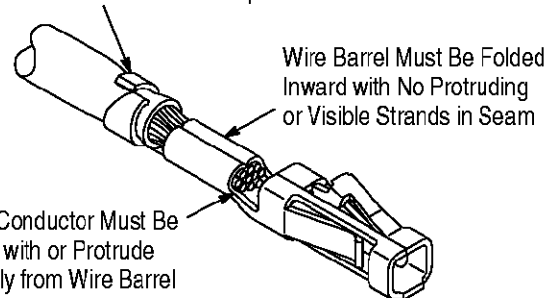


Figure 4

4. INSULATION CRIMP ADJUSTMENT

The insulation barrel crimp height is regulated by the insulation crimp adjustment lever. To determine the proper setting, test crimp a contact using the setting which approximates the wire insulation size: 1—small, 2—medium, or 3—large. If the crimped insulation barrel is too tight or too loose, change the setting accordingly. The crimp should hold the wire insulation firmly without cutting into it.

5. MAINTENANCE AND INSPECTION

The tool is inspected before shipment. AMP recommends that the tool be inspected immediately upon arrival at your facility to ensure that the tool was not damaged during shipment and that it conforms to the dimensions provided in Figure 6.

5.1. Daily Maintenance

Remove all foreign particles with a clean, soft brush, or a clean, soft, lint-free cloth. Make sure the proper retaining pins are in place, and secured with the proper retaining rings. If foreign matter cannot be removed easily, or if the proper replacement parts are not available, refer to Section 6 for information on obtaining further evaluation and repair.

Make certain all pivot points and bearing surfaces are protected with a THIN coat of any good SAE 20 motor oil. Do NOT oil excessively. When tool is not in use, keep the handles closed to prevent objects from becoming lodged between the crimping dies, and store the tool in a clean, dry area.

5.2. Periodic Inspection

Regular inspections should be performed by quality control personnel. A record of scheduled inspections should remain with the tool and/or be supplied to supervisory personnel responsible for the tool. Though recommendations call for at least one inspection a month, the inspection frequency should be based on the amount of use, ambient working conditions, operator training and skill, and established company standards. These inspections should be performed in the following sequence:

A. Visual Inspection

1. Remove all lubrication and accumulated film by immersing the tool (handles partially closed) in a suitable commercial degreaser that will not affect paint or plastic material.
2. Make certain all retaining pins are in place and secured with retaining rings. If replacements are necessary, refer to parts listed in Section 6.

CAUTION

Do NOT remove the retaining pins as permanent damage to the tool may result.

3. Close the tool handles until the ratchet releases, then allow the tool handles to open freely. If handles do not open quickly and fully, the spring is defective and must be replaced (refer to Section 6, REPLACEMENT AND REPAIR).
4. Inspect the head assembly, with special emphasis on checking for worn, cracked, or broken dies. If damage to any part of the head assembly is

evident, refer to Section 6 for information on obtaining customer repair service.

B. Crimp Height Inspection

This inspection requires the use of a micrometer with a modified anvil as shown in Figure 5. AMP recommends the modified micrometer (Crimp Height Comparator RS-1019-5L) which can be purchased from:

Shearer Industrial Supply Co. 20 North Penn Street York, PA 17401-1014	or	VALCO 1410 Stonewood Drive Bethlehem, PA 18017-3527
--	----	---

Proceed as follows:

1. Select a contact and *maximum* size wire.
2. Refer to Section 3, CRIMPING PROCEDURE, and crimp the contact accordingly.
3. Using a crimp height comparator, measure wire barrel crimp height as shown in Figure 5. If the crimp height conforms to that shown, the tool is considered dimensionally correct. If not, refer to Section 6 for information on obtaining evaluation and repair.

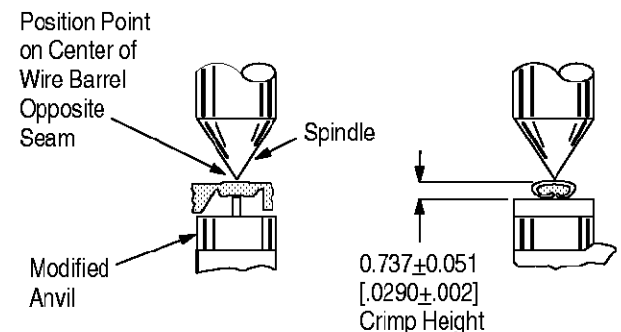


Figure 5

For additional information concerning the use of the crimp height comparator, refer to Instruction Sheet 408-7424.

C. CERTI-CRIMP Ratchet Inspection

Obtain a 0.0254 [0.001] shim that is suitable for checking the clearance between the bottoming surfaces of the crimping dies. Proceed as follows:

1. Select a contact and *maximum* wire size.
2. Position the contact and wire between the crimping dies, according to Section 3, CRIMPING PROCEDURE. Holding the wire in place, squeeze the tool handles together until the ratchet releases. Hold the tool handles in this position, maintaining just enough pressure to keep the dies closed.

3. Check the clearance between the bottoming surfaces of the crimping dies. If the clearance is 0.0254 [.001] or less, the ratchet is satisfactory. If clearance exceeds 0.0254 [.001] the ratchet is out of adjustment and must be repaired (see Section 6, REPLACEMENT AND REPAIR).

If the tool conforms to these inspection procedures, lubricate it with a THIN coat of any good SAE 20 motor oil and return it to service.

6. REPLACEMENT AND REPAIR

Customer-replaceable parts are listed in Figure 6. A complete inventory should be stocked and controlled to prevent lost time when replacement of parts is necessary. Parts other than those listed should be replaced by AMP to ensure quality and reliability. Order replacement parts through your AMP representative, or call 1-800-526-5142, or send a facsimile of your purchase order to 717-986-7605, or write to:

CUSTOMER SERVICE (038-035)
 AMP INCORPORATED
 P.O. BOX 3608
 HARRISBURG PA 17105-3608

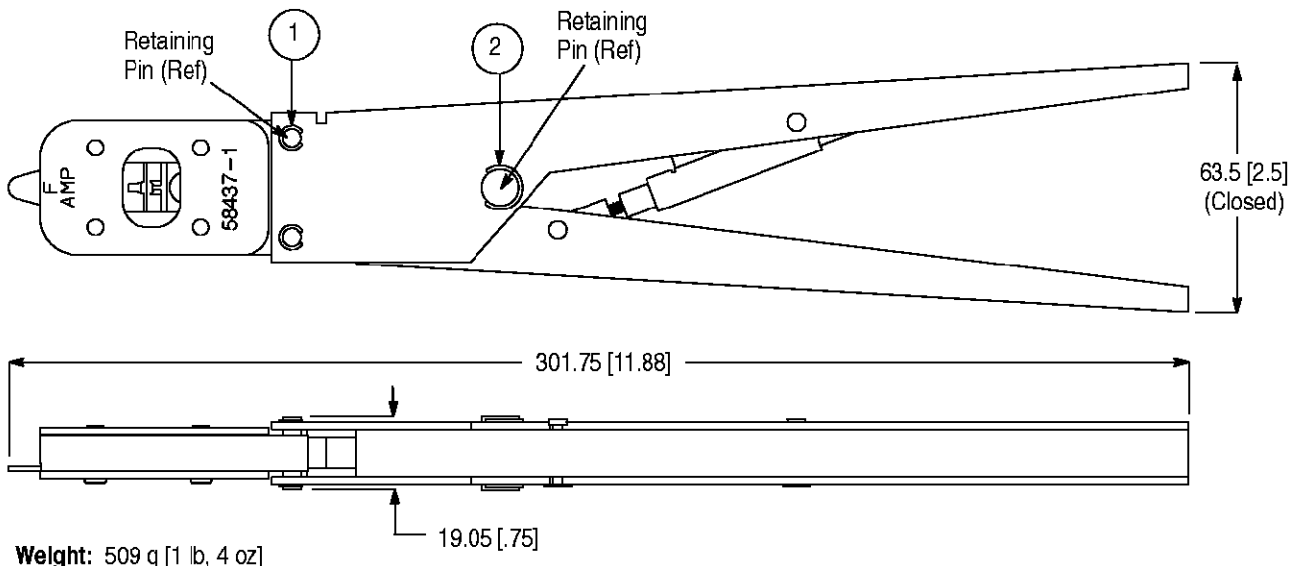
For customer repair service, please contact an AMP representative at 1-800-526-5136.

7. REVISION SUMMARY

Revisions to this instruction sheet per EC 0990-0910-99 include:

- Updated to corporate requirements
- Added crimp inspection requirements
- Added 114-25038 as reference
- Changed York Machinery to Shearer Industrial in Paragraph 5.2, B
- Replaced customer repair address with phone number

CAUTION: Do NOT remove retaining pins as permanent damage to the tool may result.



Weight: 509 g [1 lb, 4 oz]

REPLACEMENT PARTS

ITEM	PART NUMBER	DESCRIPTION	QTY PER TOOL
1	21045-3	RING, Retaining	4
2	21045-9	RING, Retaining	2

Figure 6