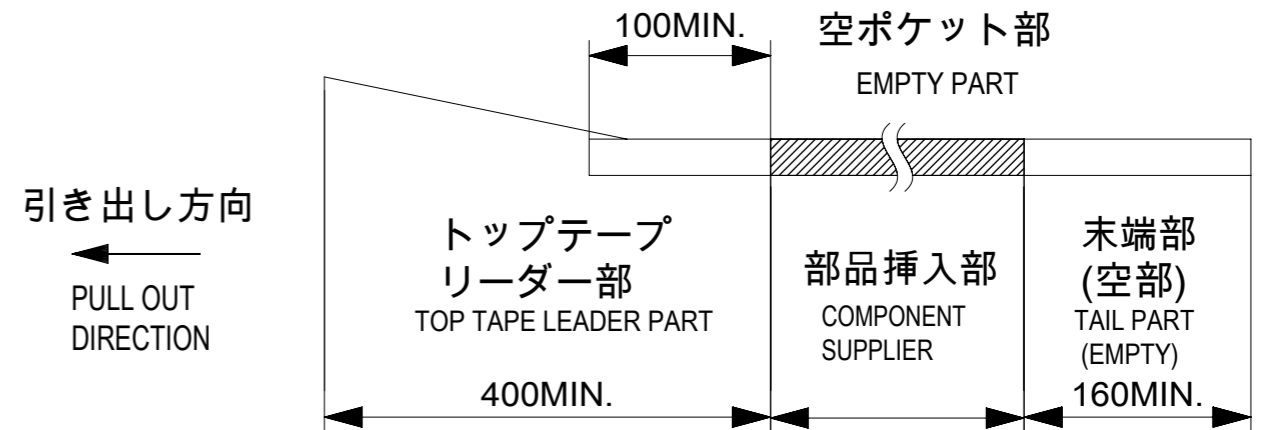


NOTES

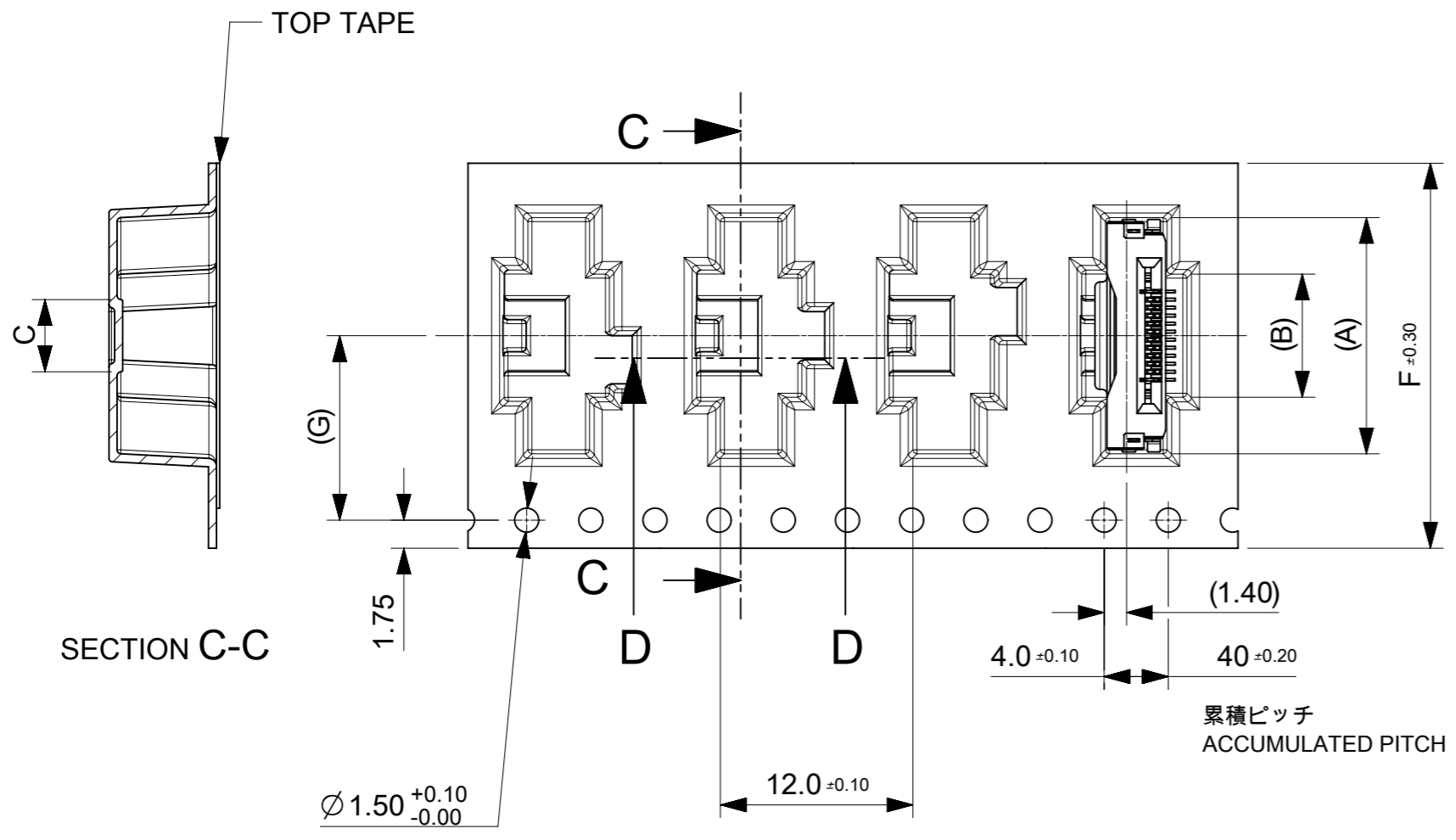
- 梱包数量 : 1200個 / リール
NUMBER OF CONNECTORS : 1200 PCS/REEL.
- リードテープ長さ
LEAD TAPE LENGTH



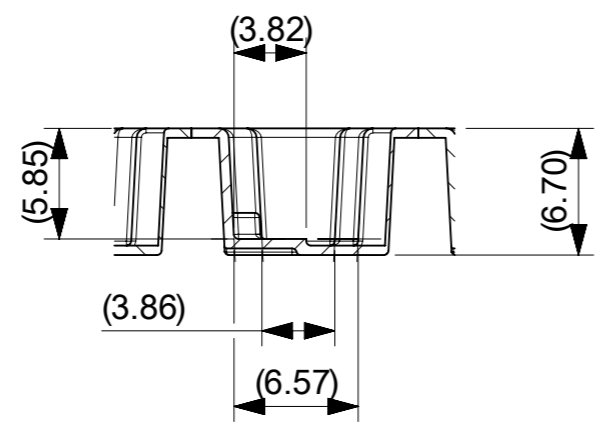
- カバーテープの剥離強度については、IEC60286-3に準拠。
TOP TAPE PEEL FORCE IS DEFINED BY IEC 60286-3.
- 製品詳細寸法については、図面 2004851700を参照下さい。
FOR DIMENTIONS OF PRODUCT, REFER TO 2004851700
- 材料 MATERIAL
キャリアテープ : ポリスチレン
CARRIER TAPE : POLYSTYRENE
トップテープ : ポリエチレンテレフタレート、ポリエチレン
TOP TAPE : POLYETHYLENE TEREHTHALATE, POLYETHYLENE
リール : ポリスチレン<リサイクル材を含む>
REEL : POLYSTYRENE RECYCLED MATERIAL CONTAINED
- ELV及びRoHS適合品 ELV AND RoHS COMPLIANT.

THIS DRAWING CONTAINS INFORMATION THAT IS PROPRIETARY TO MOLEX ELECTRONIC TECHNOLOGIES, LLC AND SHOULD NOT BE USED WITHOUT WRITTEN PERMISSION		CURRENT REV DESC:		molex		
DIMENSION UNITS	SCALE					
mm	NTS			EMB PKG ONE-TOUCH ST GND		
GENERAL TOLERANCES (UNLESS SPECIFIED)				PRODUCT CUSTOMER DRAWING		
ANGULAR TOL	± 1.0 °			DOCUMENT NUMBER		
4 PLACES	± 0.1	EC NO: 648126		2004850700		
3 PLACES	± 0.1	DRWN: TYAMANE		PSD		
2 PLACES	± 0.1	CHK'D: YMATSUMOTO		000		
1 PLACE	± 0.1	APPR: SHOSHIKAWA		B		
0 PLACES	± 0.1	INITIAL REVISION:		REVISION		
DRAFT WHERE APPLICABLE MUST REMAIN WITHIN DIMENSIONS		THIRD ANGLE PROJECTION	DRAWING	SERIES	MATERIAL NUMBER	CUSTOMER
			A3-SIZE	200485	SEE TABLE	GENERAL
						SHEET NUMBER
						1 OF 3

引き出し方向
PULL OUT
DIRECTION



SECTION C-C



SECTION D-D

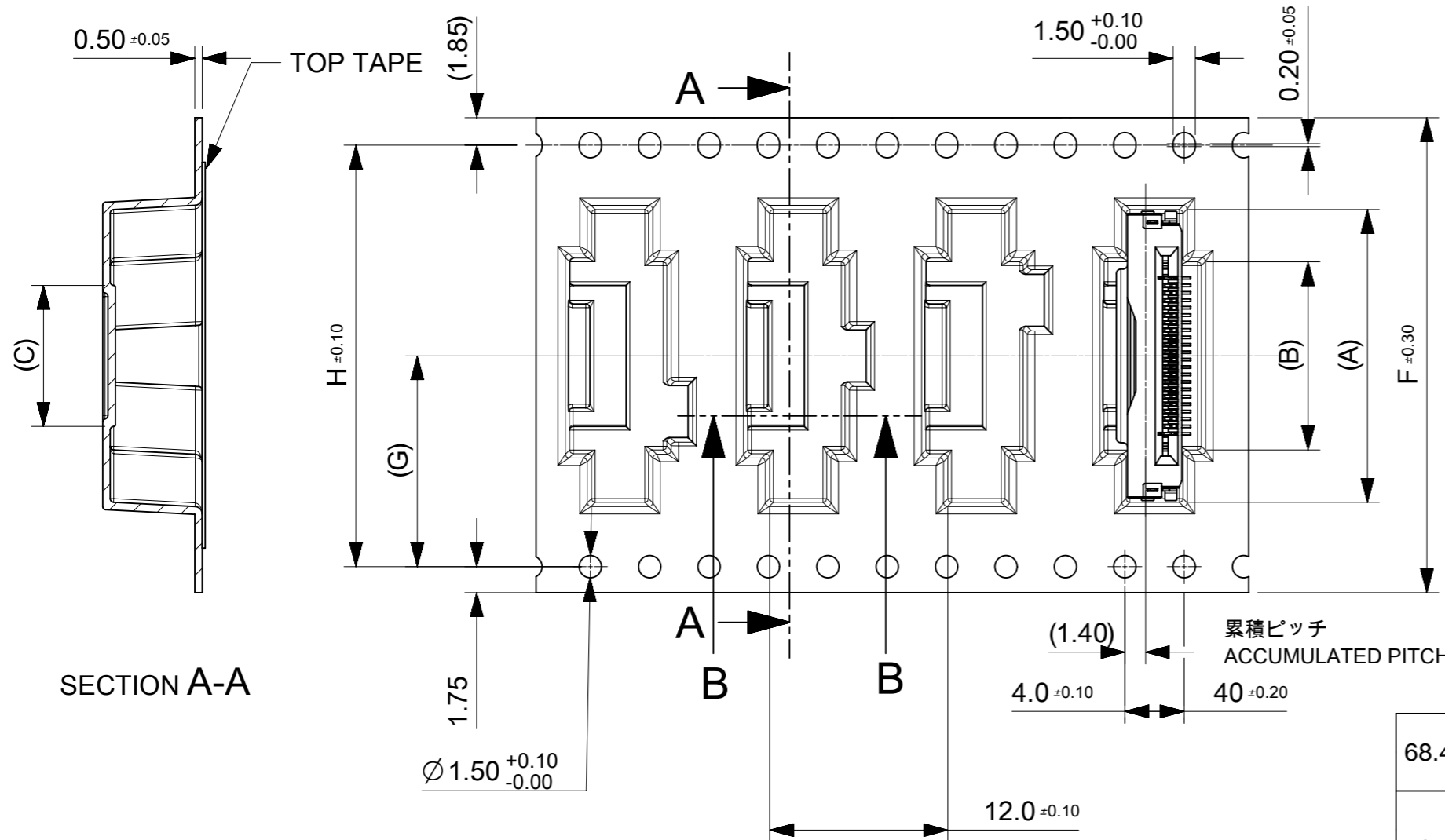
累積ピッチ
ACCUMULATED PITCH

11.5	24	29.4	25.4	4.5	7.65	14.7	2004850710		10
G	F	E	D	C	B	A	EMBOSSED PACKAGE		Ckt
							オーダー番号 ORDER NO.		

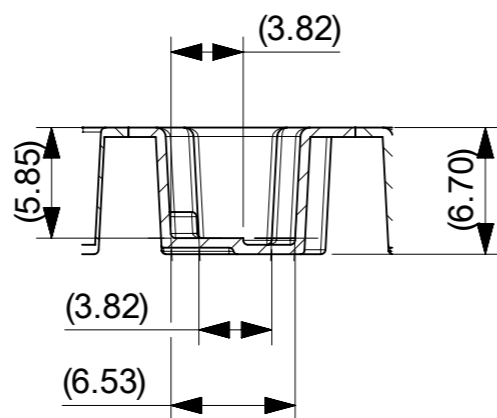
THIS DRAWING CONTAINS INFORMATION THAT IS PROPRIETARY TO MOLEX ELECTRONIC TECHNOLOGIES, LLC AND SHOULD NOT BE USED WITHOUT WRITTEN PERMISSION									
DIMENSION UNITS mm		SCALE NTS		CURRENT REV DESC:			molex		
GENERAL TOLERANCES (UNLESS SPECIFIED)		ANGULAR TOL ± 1.0°		EC NO: 648126					
4 PLACES ± 0.1		3 PLACES ± 0.1		DRWN: TYAMANE 2020/10/15			EMB PKG ONE-TOUCH ST GND		
2 PLACES ± 0.1		1 PLACE ± 0.1		CHK'D: YMATSUMOTO 2020/10/30			PRODUCT CUSTOMER DRAWING		
0 PLACES ± 0.1		DRAFT WHERE APPLICABLE MUST REMAIN WITHIN DIMENSIONS		APPR: SHOSHIKAWA 2020/11/02			DOCUMENT NUMBER		
THIRD ANGLE PROJECTION		DRAWING		SERIES		MATERIAL NUMBER		CUSTOMER	
A3-SIZE		200485		2018/10/03		2020/06/08		2004850700	
PSD		000		B		2 OF 3			

CONNECTOR NO. 20048517**

引き出し方向
PULL OUT
DIRECTION



SECTION A-A

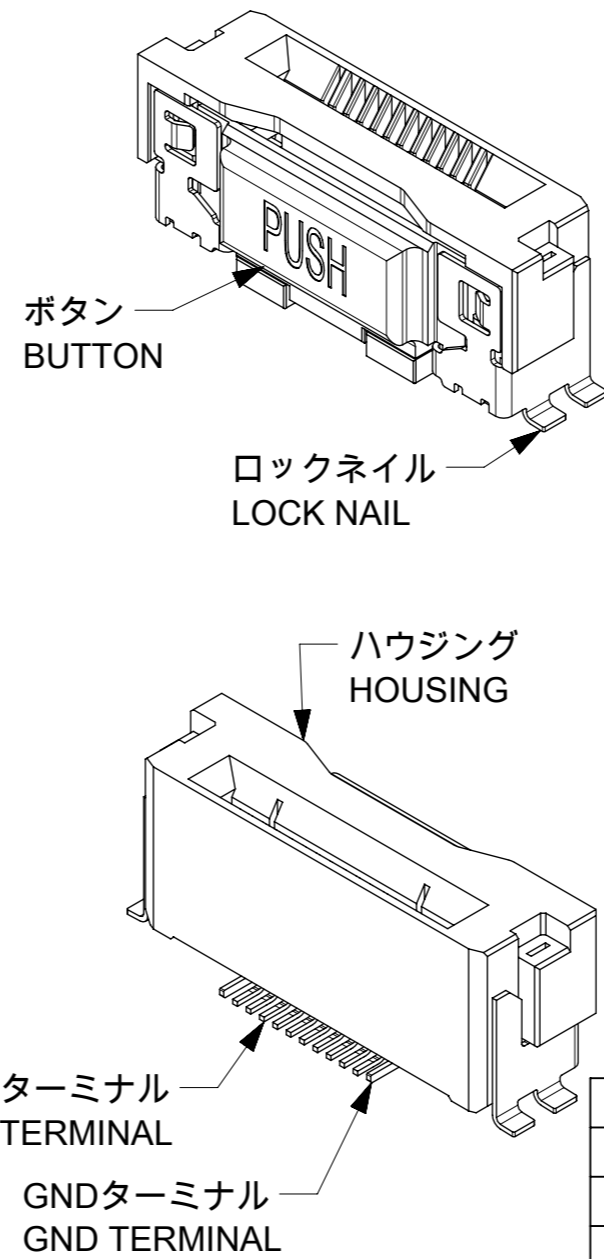
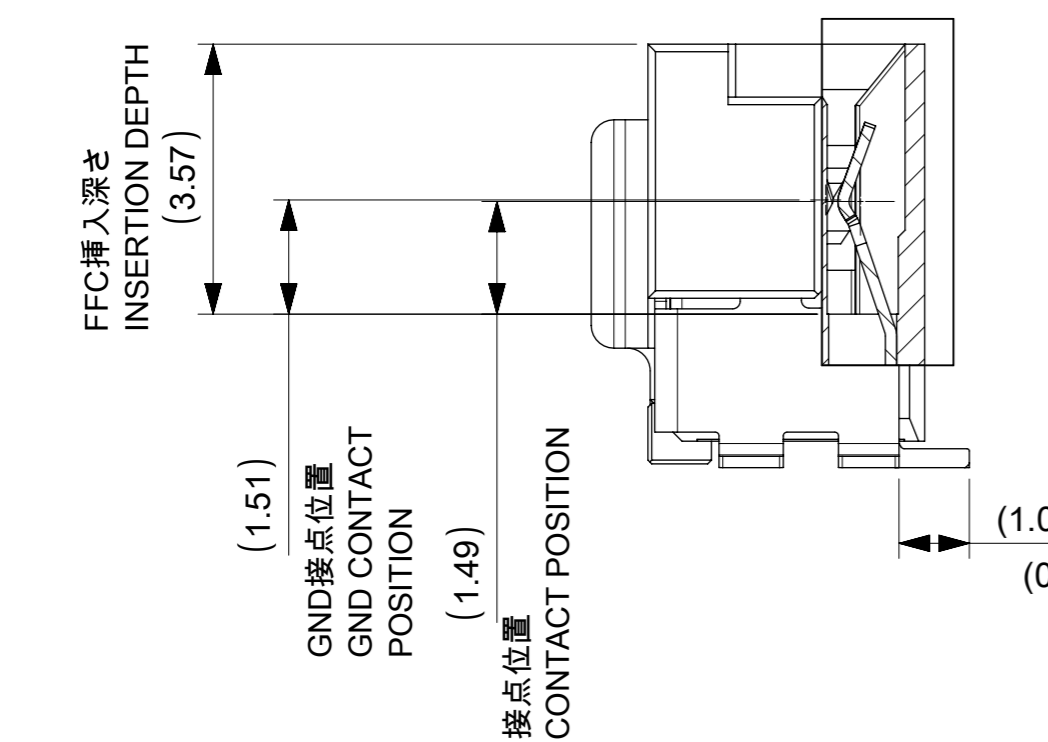
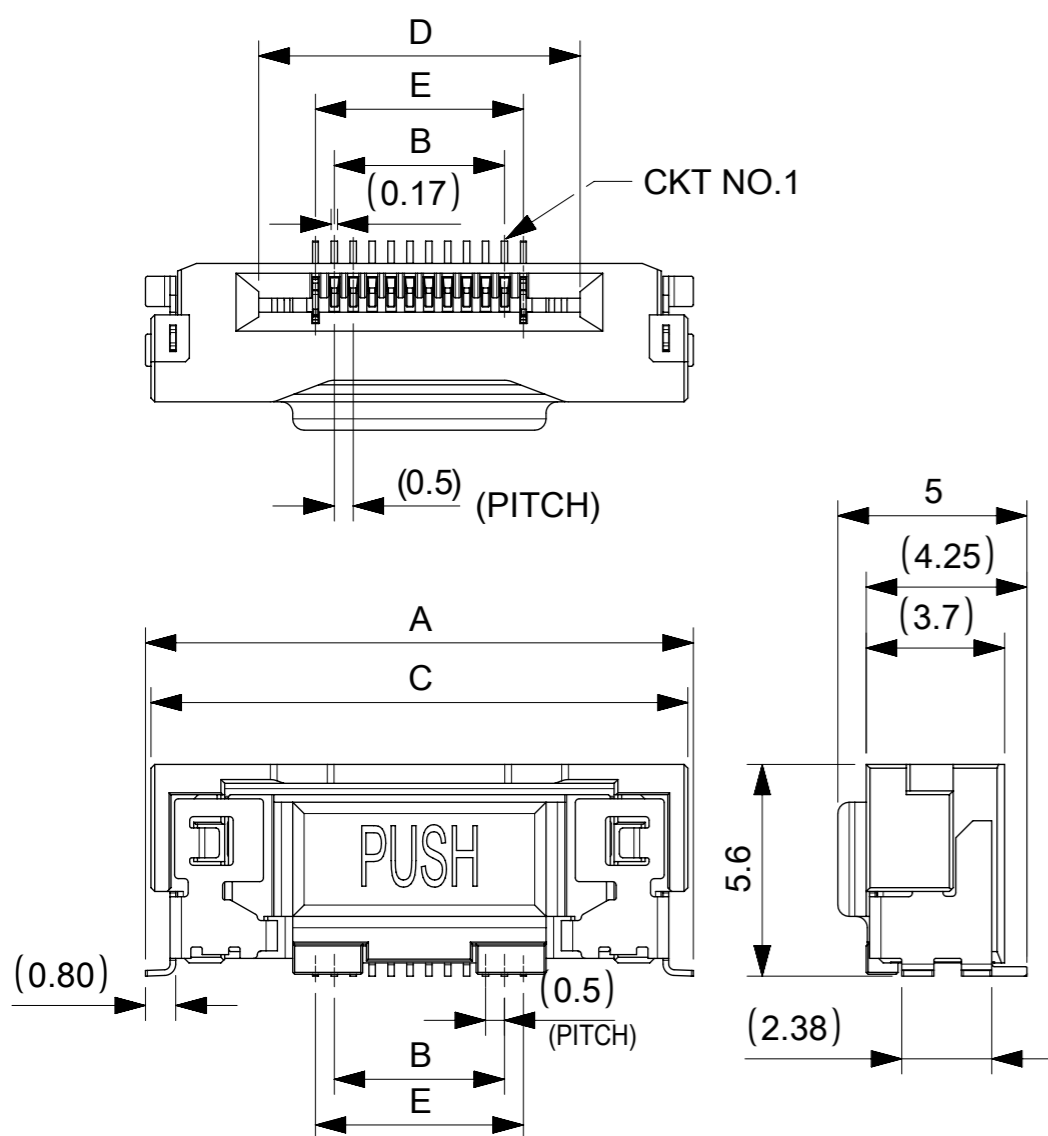


SECTION B-B

CONNECTOR NO. 20048517**

68.4	34.2	72	78.1	73.5	39.5	42.65	49.7	2004850780	80
					34.5	37.65	44.7	2004850770	70
52.4	26.2	56	61.4	75.4	29.5	32.65	39.7	2004850760	60
					25	28.15	35.2	2004850751	51
					24.5	27.65	34.7	2004850750	50
40.4	20.2	44	49.4	45.4	19.5	22.65	29.7	2004850740	40
					17	20.15	27.2	2004850735	35
					14.5	17.65	24.7	2004850730	30
28.4	14.2	32	37.4	33.4	9.5	12.65	19.7	2004850720	20
H	G	F	E	D	C	B	A	EMBOSSED PACKAGE	Ckt
								オーダー番号 ORDER NO.	

DIMENSION UNITS		SCALE	CURRENT REV DESC:						
mm	NTS		molex						
GENERAL TOLERANCES (UNLESS SPECIFIED)			EMB PKG ONE-TOUCH ST GND						
ANGULAR TOL ± 1.0°			PRODUCT CUSTOMER DRAWING						
4 PLACES	± 0.1		EC NO: 648126		2020/10/15		DOCUMENT NUMBER		
3 PLACES	± 0.1		DRWN: TYAMANE		2020/10/30		DOC TYPE DOC PART REVISION		
2 PLACES	± 0.1		CHK'D: YMATSUMOTO		2020/11/02		2004850700 PSD 000 B		
1 PLACE	± 0.1		APPR: SHOSHIKAWA		2020/06/08		MATERIAL NUMBER CUSTOMER		
0 PLACES	± 0.1		INITIAL REVISION:				SHEET NUMBER		
DRAFT WHERE APPLICABLE MUST REMAIN WITHIN DIMENSIONS			DRWN: TYAMANE		2020/10/03		3 OF 3		
			APPR: SHOSHIKAWA		2020/06/08				
THIRD ANGLE PROJECTION			DRAWING		SERIES		CUSTOMER		
A3-SIZE			200485		SEE TABLE		GENERAL		



NOTES:
 1.使用材料 MATERIAL
 ハウジング：液晶ポリマー，ガラス充填，UL94V-0(黒)
 HOUSING：LIQUID CRYSTAL POLYMER, GLASS FILLED, UL94V-0(BLACK)
 ボタン：液晶ポリマー，ガラス充填，UL94V-0(ナチュラル)
 BUTTON：LIQUID CRYSTAL POLYMER, GLASS FILLED, UL94V-0(NATURAL)
 ターミナル：銅合金(t=0.15)
 TERMINAL：COPPER ALLOY
 ロックネイル：銅合金(t=0.15)
 LOCK NAIL：COPPER ALLOY
 GNDターミナル：銅合金(t=0.15)
 GND TERMINAL：COPPER ALLOY
 2.めっき仕様 PLATING
 ターミナル TERMINAL
 接点部：金めっき 0.1μm以上
 CONTACT AREA：GOLD 0.1 MICROMETER MINIMUM
 半田付け部：金めっき
 SOLDER TAIL AREA：GOLD
 下地めっき：ニッケル 1.0μm以上
 UNDERPLATE：NICKEL 1.0 MICROMETER MINIMUM
 ロックネイル LOCK NAIL
 錫めっき(1.0μm以上)
 TIN PLATING (1.0 MICROMETER MIN.)
 GNDターミナル GND TERMINAL
 錫めっき(1.0μm以上)
 TIN PLATING (1.0 MICROMETER MIN.)
 3.平坦度は0.1ミリ以下とする。
 COPLANALITY TO BE 0.1 MAXIMUM.

1.323	40.5	43.5	49.2	39.5	49.49	2004850780	80
1.215	35.5	38.5	44.2	34.5	44.49	2004850770	70
1.072	30.5	33.5	39.2	29.5	39.49	2004850760	60
0.957	26	29	34.7	25	34.99	2004850751	51
0.942	25.5	28.5	34.2	24.5	34.49	2004850750	50
0.796	20.5	23.5	29.2	19.5	29.49	2004850740	40
0.702	18	21	26.7	17	26.99	2004850735	35
0.650	15.5	18.5	24.2	14.5	24.49	2004850730	30
0.504	10.5	13.5	19.2	9.5	19.49	2004850720	20
0.358	5.5	8.5	14.2	4.5	14.49	2004850710	10
NET WEIGHT (g)	E	D	C	B	A	EMBOSSED PACKAGE	CIRC UIT
CONNECTOR SERIES NO. 20048517**						ORDER NO.	

THIS DRAWING CONTAINS INFORMATION THAT IS PROPRIETARY TO MOLEX ELECTRONIC TECHNOLOGIES, LLC AND SHOULD NOT BE USED WITHOUT WRITTEN PERMISSION

DIMENSION UNITS	SCALE	CURRENT REV DESC:		molex			
mm	5:1						
GENERAL TOLERANCES (UNLESS SPECIFIED)				0.5FFFC CONN. ST ONE TOUCH ASS'Y GND			
ANGULAR TOL	± 1.0°	EC NO: 674194		PRODUCT CUSTOMER DRAWING			
4 PLACES	± 0.1	DRWN: AHMADI2	2021/08/18	DOCUMENT NUMBER			
3 PLACES	± 0.1	CHK'D: TKON	2021/08/19	DOC TYPE			
2 PLACES	± 0.1	APPR: SHOSHIKAWA	2021/08/19	DOC PART			
1 PLACE	± 0.1	INITIAL REVISION:		REVISION			
0 PLACES	± 0.1	DRWN: TYAMANE	2018/08/21	2004851700		PSD	000
DRAFT WHERE APPLICABLE MUST REMAIN WITHIN DIMENSIONS		APPR: SHOSHIKAWA	2020/06/08	CUSTOMER		SHEET NUMBER	
THIRD ANGLE PROJECTION		DRAWING	SERIES	MATERIAL NUMBER	CUSTOMER		
A3-SIZE		200485	SEE TABLE	GENERAL		1 OF 2	

