

**Impulse™  
Ortho Direct RAM  
Module Installation  
Press-In Tool**

**Application Tooling  
Specification Sheet**

**Order No. 200214-1201**

**FEATURES**

- Lip provided for positive alignment to connector assembly
- Tool provides uniform distribution of press force across entire pin array
- May be used as a standalone tool or mounted in an optional holder with other Molex press-in tools

**SCOPE**

Products: Impulse™ Ortho Direct RAM Module Assembly (8-Pair by 8 Column Assemblies). See Product List below for specific part numbers.

**Product List**

The following is a partial list of the product order numbers and their specifications that this tool is designed to run. Updates to this list are available on [www.molex.com](http://www.molex.com).

Series No.	Mate Direction	Columns	Assembly Order Number	
173520	270°	8	173520-2825	172520-9001
173625	90°	8	173625-2805	173625-9001

**Tool Setup**

Depending on the number of connectors to be installed or the press used, this tool can be used alone or with a group of press-in tools, mounted in a 62201-95XX rail (ordered separately). See Figure 1.

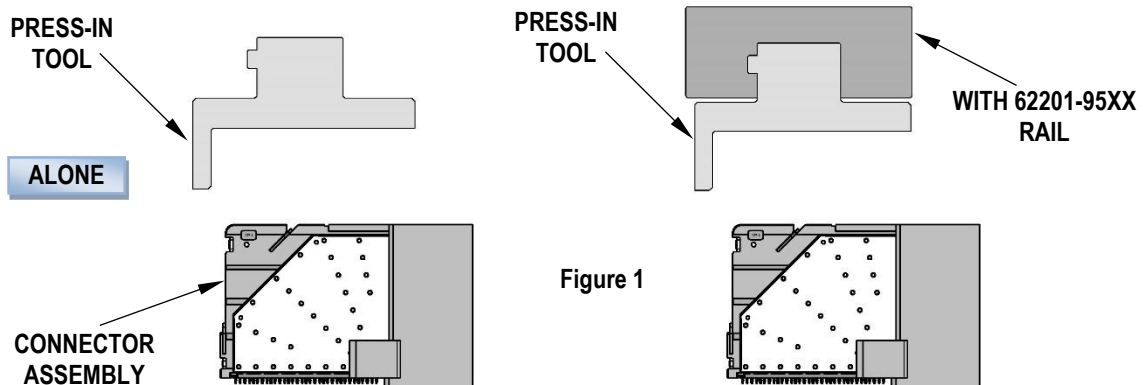


Figure 1

## Tool Installation

The 62201-95XX rail is available in a variety of lengths to accommodate multiple press-in tools:

Rail Part Number	Rail Overall Length
62201-9501	24mm (0.94 in)
62201-9502	72mm (2.83 in)
62201-9503	156mm (6.14 in)
62201-9504	216mm (8.50 in)
62201-9509	254mm (10.0 in)
62201-9511	305mm (12.0 in)

**Reference:** This Press-In Tool is 15.8mm (.62 in.) long.

## Printed Circuit Board (PCB) Support

The Impulse™ connectors nominally require 13N (3 lb.) force per pin to press into the PCB. To prevent excessive PCB flexure or damage to the PCB, a support plate is strongly recommended directly beneath the connector hole pattern.

Due to the custom nature of every application, Molex does not offer any PCB support plate. Customers must furnish their own support plates.

When creating the PCB support plate, remember to allow clearance for the connector pins as they pass through the PCB thickness.

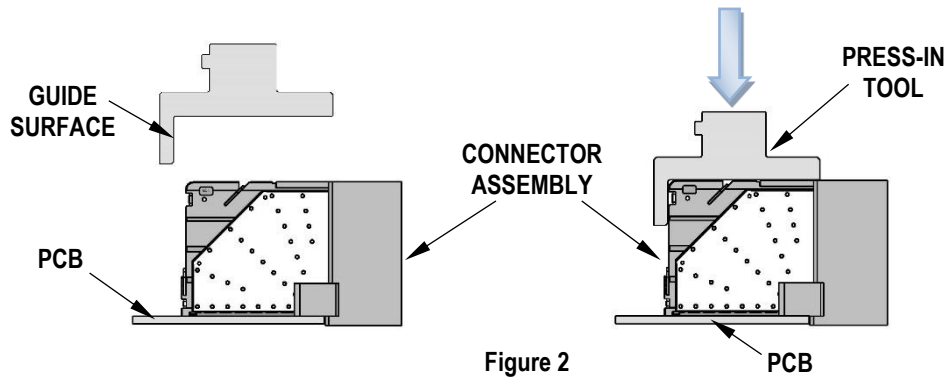
## Press Equipment Recommendations

Many types of presses can be used to install Impulse™ connectors, but to assure consistent connector installation, Molex recommends the following press criteria:

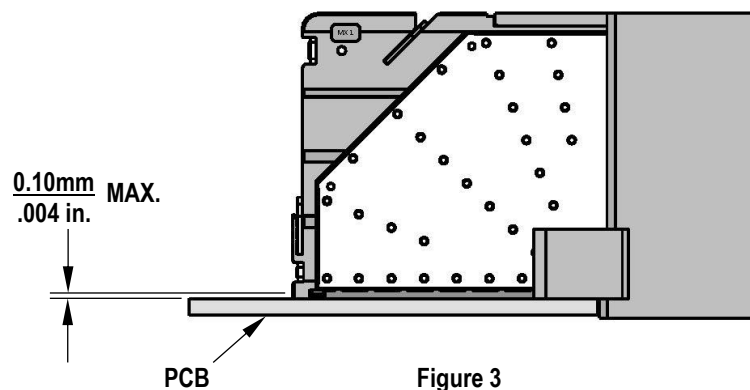
1. Presses should have the capability to detect force variations as low as 4.5kg (10 lb.) during the press-in cycle; excessive force measurements should stop the press-in cycle.
2. The rate of pressing can be regulated as low as 0.13mm (0.005 in) per second.
3. Press stroke control should be within 0.25mm (0.010 in).
4. The total press stroke must be at least 19mm (0.75 in).
5. For statistical purposes, presses should automatically collect force and distance data.

## Tool Operation

1. Carefully insert, by hand, the Orthogonal Direct RAM module(s) into the PCB hole pattern.
2. Place the application tool on top of the Orthogonal Direct RAM module with the back guide surface of the tool against the back of the Orthogonal Direct RAM module. See Figure 2.



3. Using the application tool and an appropriate press, seat the Orthogonal Direct RAM module until there is less than 0.10mm (.004 in) clearance between the bottom of the plastic housing and the surface of the PCB. See Figure 3.



There should be no broken stand-offs along the perimeter of the part (an indication of over-pressing).

**CAUTION:** To prevent injury, never operate any press without the guards in place. Refer to the press manufacturer's instruction manual.

**CAUTION:** Molex application tooling specifications are valid only when used with Molex connectors and tooling.

### Application Tooling Support

**Phone:** (402) 458-TOOL (8665)  
**E-Mail:** [applicationtooling@molex.com](mailto:applicationtooling@molex.com)  
**Website:** [www.molex.com/applicationtooling](http://www.molex.com/applicationtooling)

Molex is a registered trademark of Molex, LLC in the United States of America and may be registered in other countries; all other trademarks listed herein belong to their respective owners.