

2-966067-1 ✓ ACTIVE

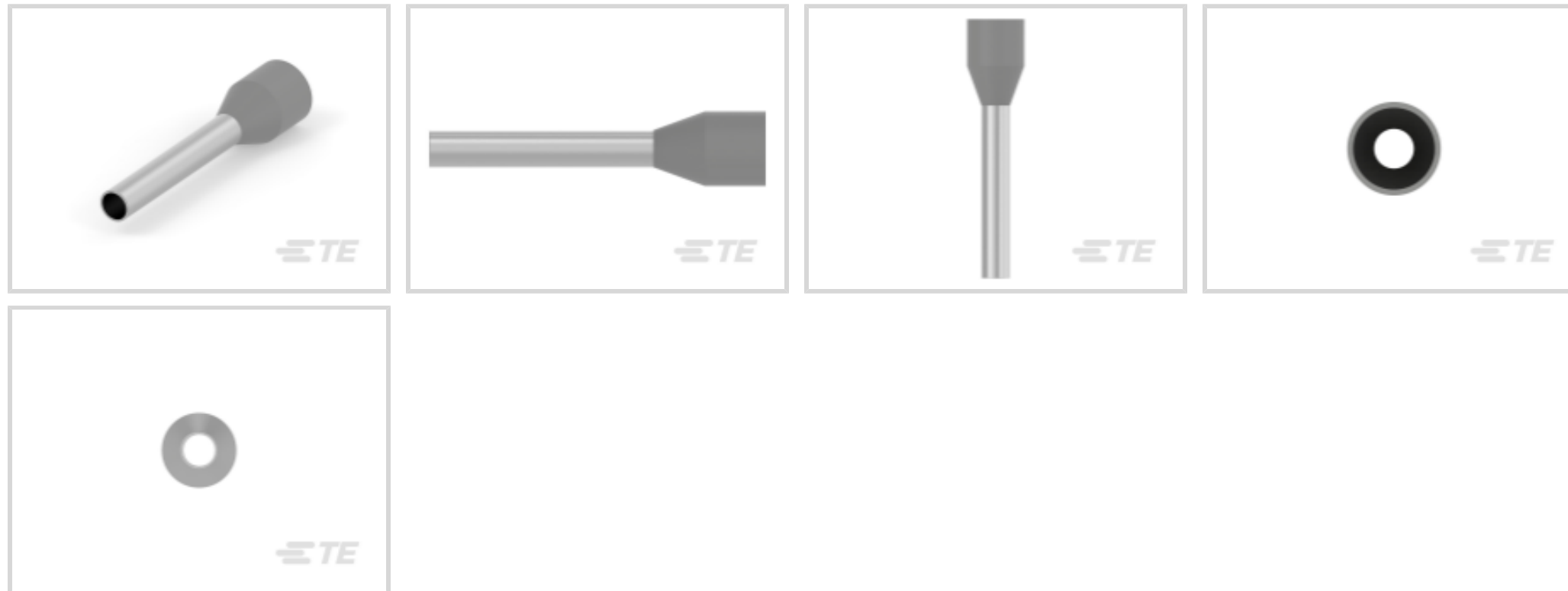
TE Internal #: 2-966067-1

Crimp Wire Pins, Tabs & Ferrules, Ferrule, 11 AWG Wire Size, 4 mm² Wire Size, 8234 CMA Wire Size, .19 in [4.8 mm] Barrel Inside Diameter, Closed

[View on TE.com >](#)



Terminals & Splices > Crimp Wire Pins, Tabs & Ferrules



Crimp Wire Terminal Type: **Ferrule**

Compatible Insulation Diameter Range: 4.7 mm [.185 in]

Wire Size: **8234 CMA**

Features

Product Type Features

| | |
|------------------------------------|----------|
| Sealable | No |
| Compatible With Discrete Wire Type | Stranded |

Configuration Features

| | |
|-----------------------------------|---------------|
| Compatible With Wire & Cable Type | Discrete Wire |
|-----------------------------------|---------------|

Body Features

| | |
|-----------------------|------|
| Primary Product Color | Gray |
|-----------------------|------|

Contact Features

| | |
|----------------------------|-----------------|
| Contact Mating Area Length | 18 mm [.702 in] |
| Crimp Wire Terminal Type | Ferrule |
| Barrel Type | Closed |
| Terminal Plating Material | Tin |
| Terminal Orientation | Straight |

Mechanical Attachment

| | |
|-------------------------|---------|
| Wire Insulation Support | Without |
|-------------------------|---------|

Dimensions

| | |
|--|--|
| | |
|--|--|



| | |
|--------------------------------------|-----------------|
| 2-Wire Size | 11 AWG |
| Strip Length | 20 mm[.787 in] |
| Compatible Insulation Diameter Range | 4.7 mm[.185 in] |
| Wire Size | 8234 CMA |
| Barrel Inside Diameter | 4.8 mm[.19 in] |
| Terminal Material Thickness | .2 mm[.007 in] |
| Overall Product Length | 26 mm[1.024 in] |

Usage Conditions

| | |
|-----------------------------|---------------------|
| Insulation Option | Partially Insulated |
| Operating Temperature Range | 105 °C[221 °F] |

Packaging Features

| | |
|--------------------|-----|
| Packaging Quantity | 100 |
| Packaging Method | Bag |

Product Compliance

[For compliance documentation, visit the product page on TE.com>](#)

| | |
|-----------------------------------------------|-------------------------------------------------------------------------------------------------------------------------------|
| EU RoHS Directive 2011/65/EU | Compliant |
| EU ELV Directive 2000/53/EC | Compliant |
| China RoHS 2 Directive MIIT Order No 32, 2016 | No Restricted Materials Above Threshold |
| EU REACH Regulation (EC) No. 1907/2006 | Current ECHA Candidate List: JAN 2023 (233) Candidate List Declared Against: JUN 2020 (209) Does not contain REACH SVHC |
| Halogen Content | Not Yet Reviewed for halogen content |
| Solder Process Capability | Not applicable for solder process capability |

Product Compliance Disclaimer

This information is provided based on reasonable inquiry of our suppliers and represents our current actual knowledge based on the information they provided. This information is subject to change. The part numbers that TE has identified as EU RoHS compliant have a maximum concentration of 0.1% by weight in homogenous materials for lead, hexavalent chromium, mercury, PBB, PBDE, DBP, BBP, DEHP, DIBP, and 0.01% for cadmium, or qualify for an exemption to these limits as defined in the Annexes of Directive 2011/65/EU (RoHS2). Finished electrical and electronic equipment products will be CE marked as required by Directive 2011/65/EU. Components may not be CE marked. Additionally, the part numbers that TE has identified as EU ELV compliant have a maximum concentration of 0.1% by weight in homogenous materials for lead, hexavalent chromium, and mercury, and 0.01% for cadmium, or qualify for an exemption to these limits as defined in the Annexes of Directive 2000/53/EC (ELV). Regarding the REACH Regulation, the information TE provides on SVHC in articles for this part number is based on the latest European Chemicals Agency (ECHA) 'Guidance on requirements for substances in articles' posted at this URL: <https://echa.europa.eu/guidance-documents/guidance-on-reach>

Compatible Parts



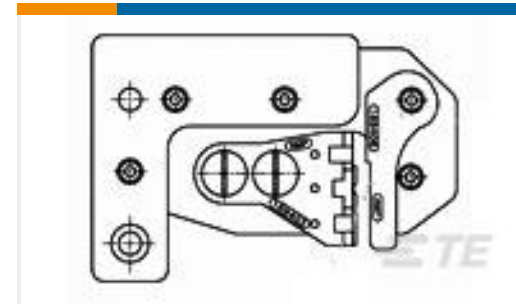
TE Part # 539660-1
ADERENDHUELSEN (Ferrule) Crimp
Tool



TE Part # 7-1579014-0
HT FOR CABLE-END SLEEVES 0,08-10



TE Part # 1SET191003R0000
FER-SE-HT

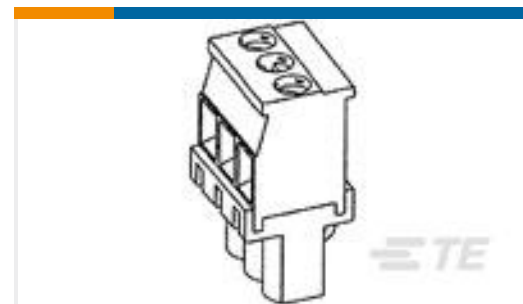


TE Part # 2-1579001-3
CSE10-AE22 CRIMP HEAD

Customers Also Bought



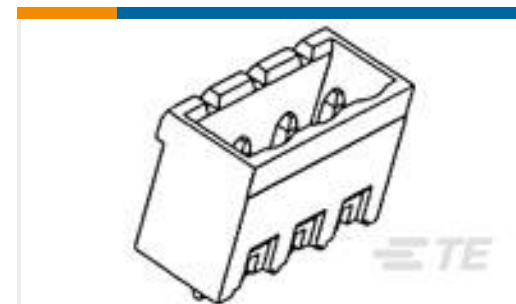
TE Part #7-1611004-4
3100-20U18999CL=40A 2P 208/240



TE Part #284041-3
TERMINAL BLOCK VERTICAL PLUG S



TE Part #7-1437653-4
6PCV-15-006=6PCV ASSEMBLY



TE Part #796636-8
8POS 5.08MM CE VRT HDR, TRM BLK



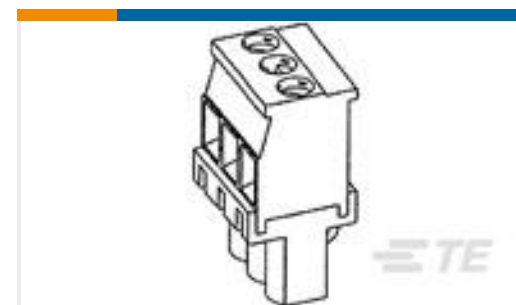
TE Part #E37316-000
VERSAFIT-MINI-SPL-1/2-BK



TE Part #YDTS24W09-35SAV001
RECP ASSY



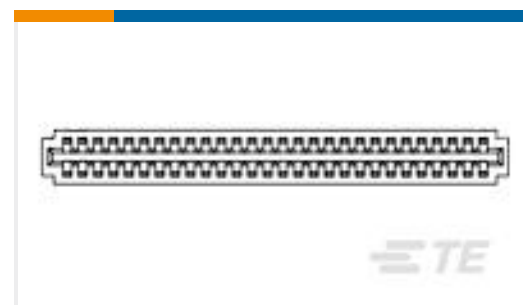
TE Part #CTD160E01F
MODULE ASSY



TE Part #284041-8
TERMINAL BLOK VERTICAL PLUG ST



TE Part #449582-000
VERSAFIT-MINI-SPL-3/4-BK



TE Part #583873-9
HOUSING CSTL 125 C/L 22 POS

Documents

Product Drawings

[FER,WIRE,PL SLV,4.00/12,L18,GREY,LP](#)

English

CAD Files

[Customer View Model](#)

[ENG_CVM_CVM_2-966067-1_B.3d_igs.zip](#)



English

[3D PDF](#)

English

Customer View Model

[ENG_CVM_2-966067-1_B1.2d_dxf.zip](#)

English

Customer View Model

[ENG_CVM_2-966067-1_B1.3d_igs.zip](#)

English

Customer View Model

[ENG_CVM_2-966067-1_B1.3d_stp.zip](#)

English

By downloading the CAD file I accept and agree to the [Terms and Conditions](#) of use.

Datasheets & Catalog Pages

[Wire Ferrules](#)

English

[WIRE END FERRULES](#)

English

Agency Approvals

[CSA Certificate](#)

English