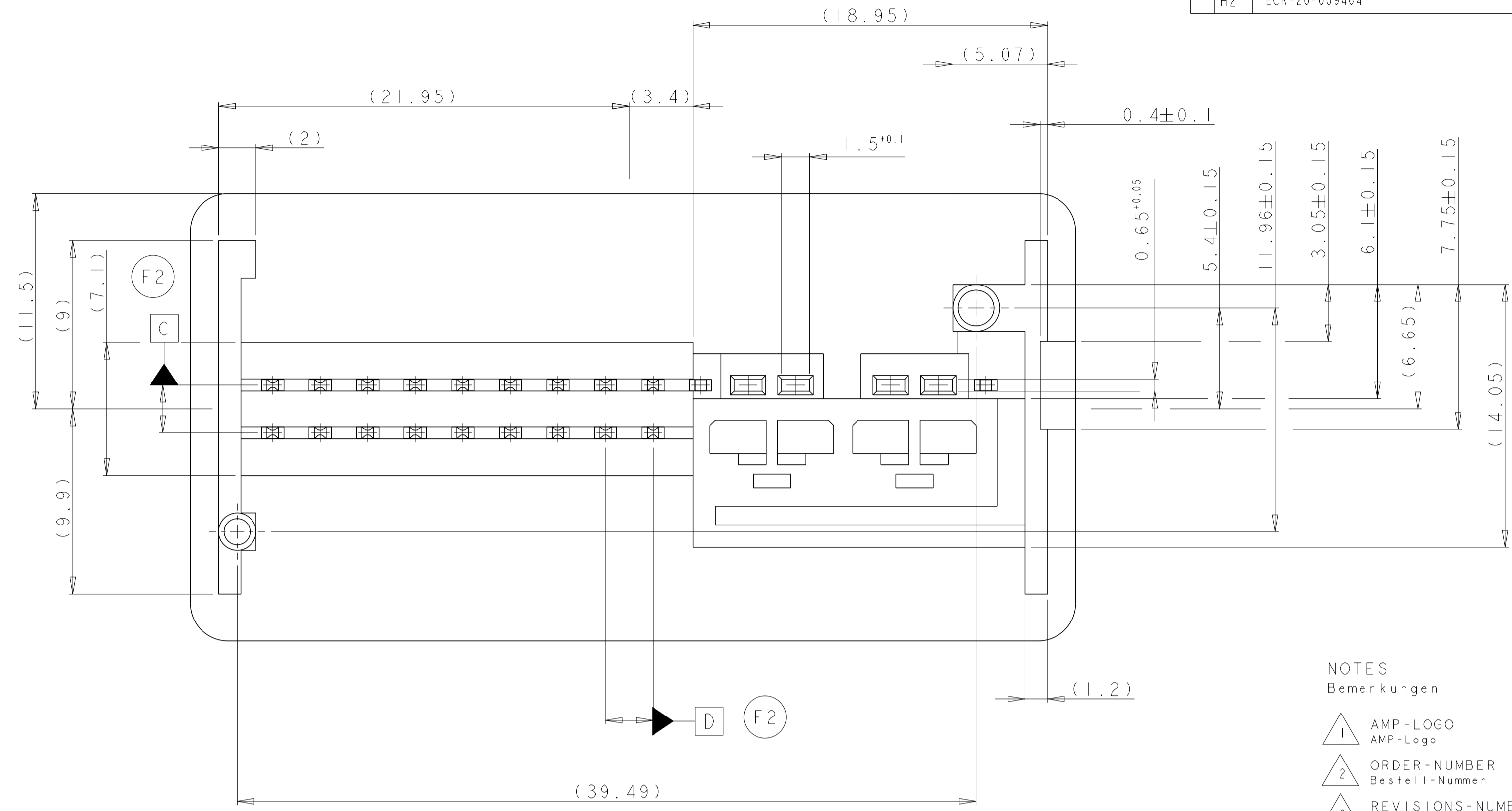
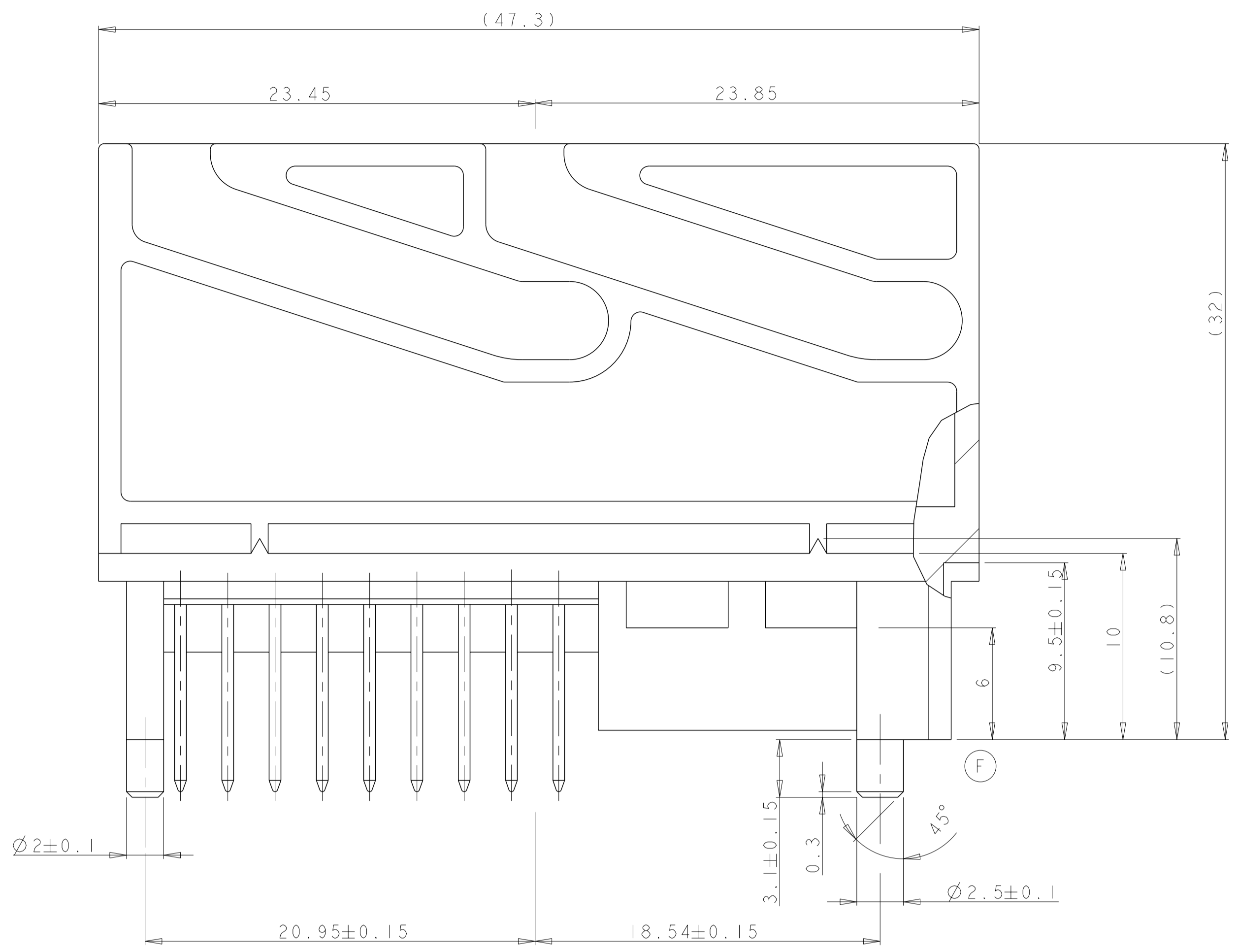
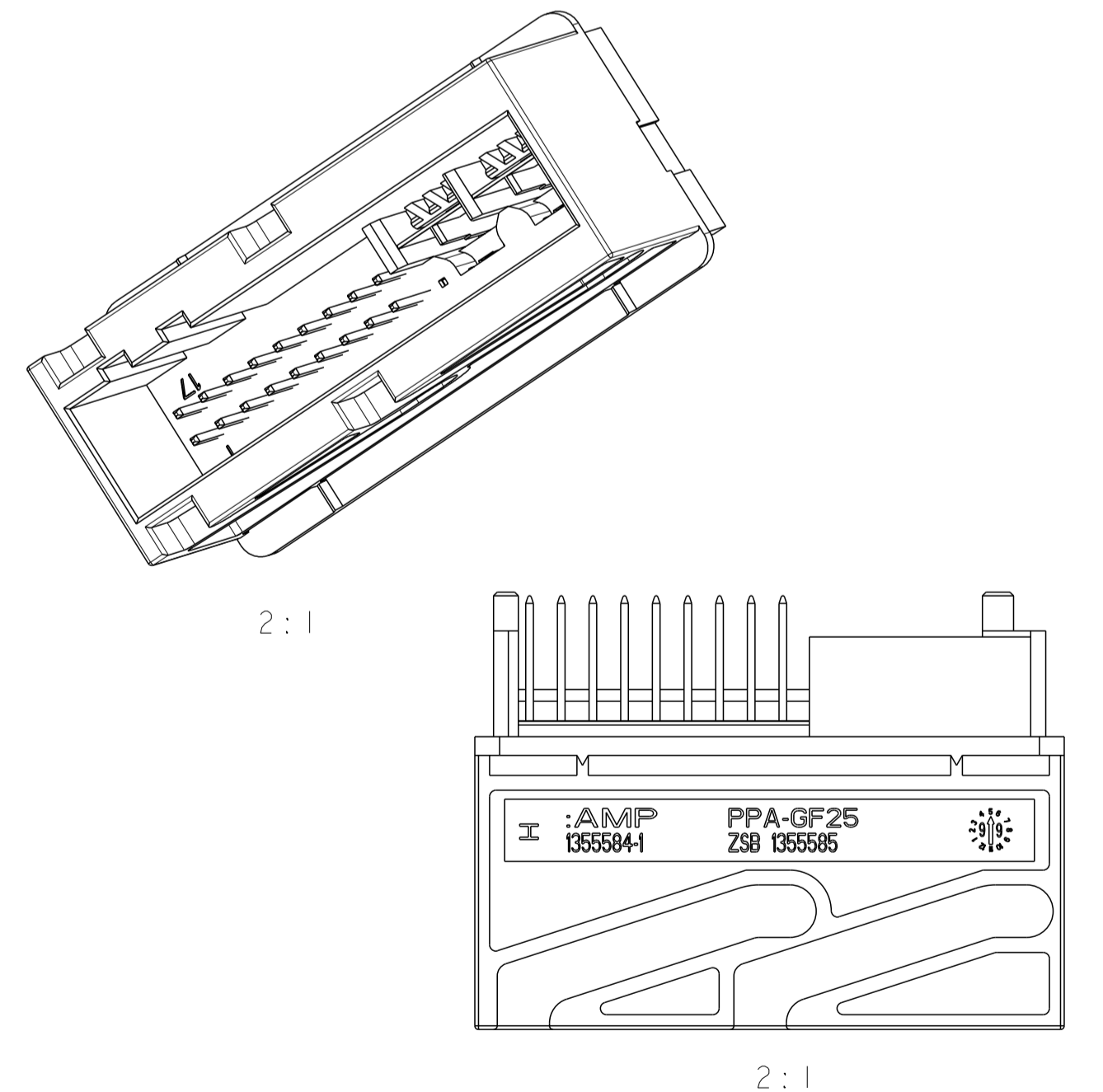
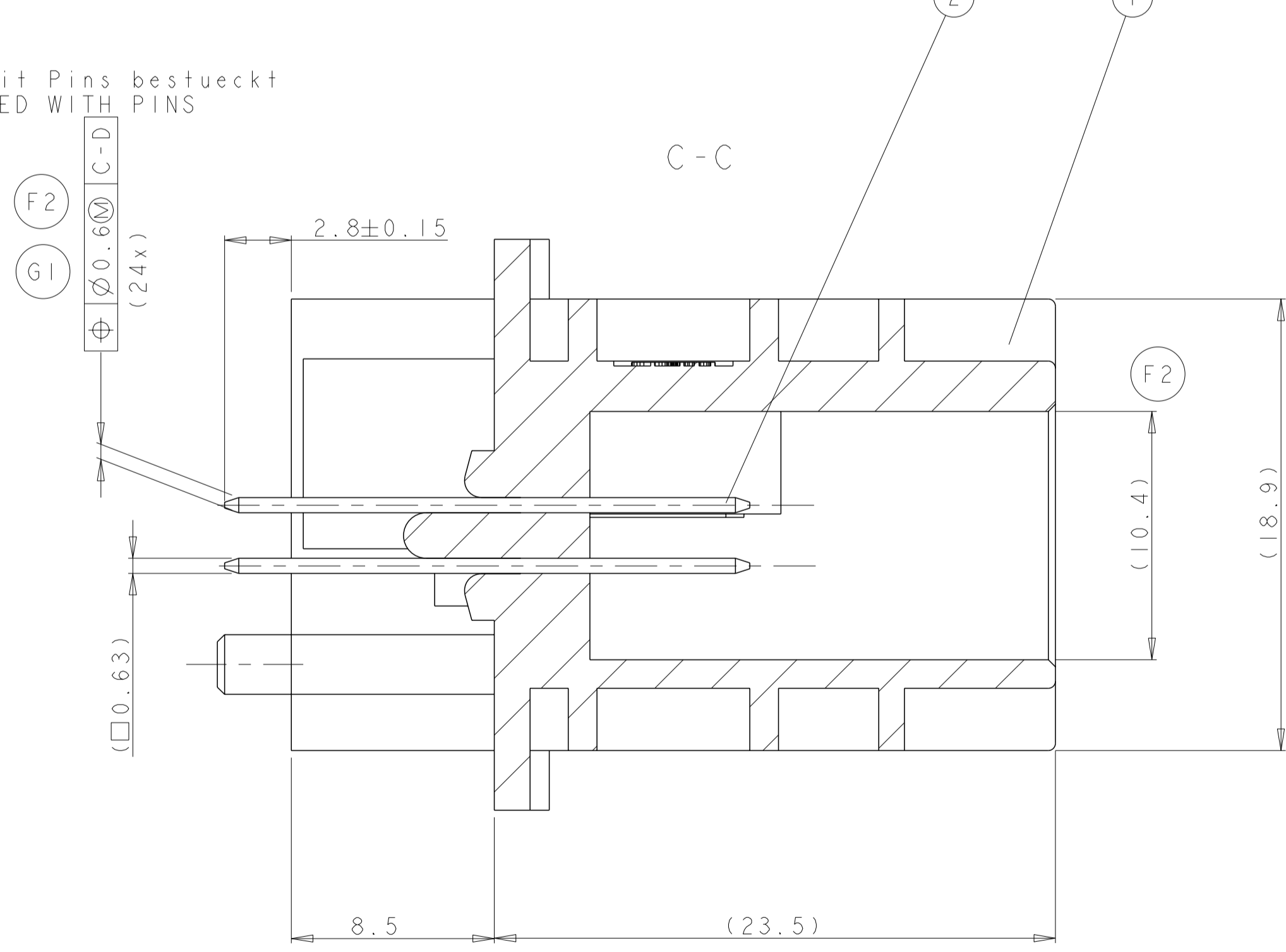
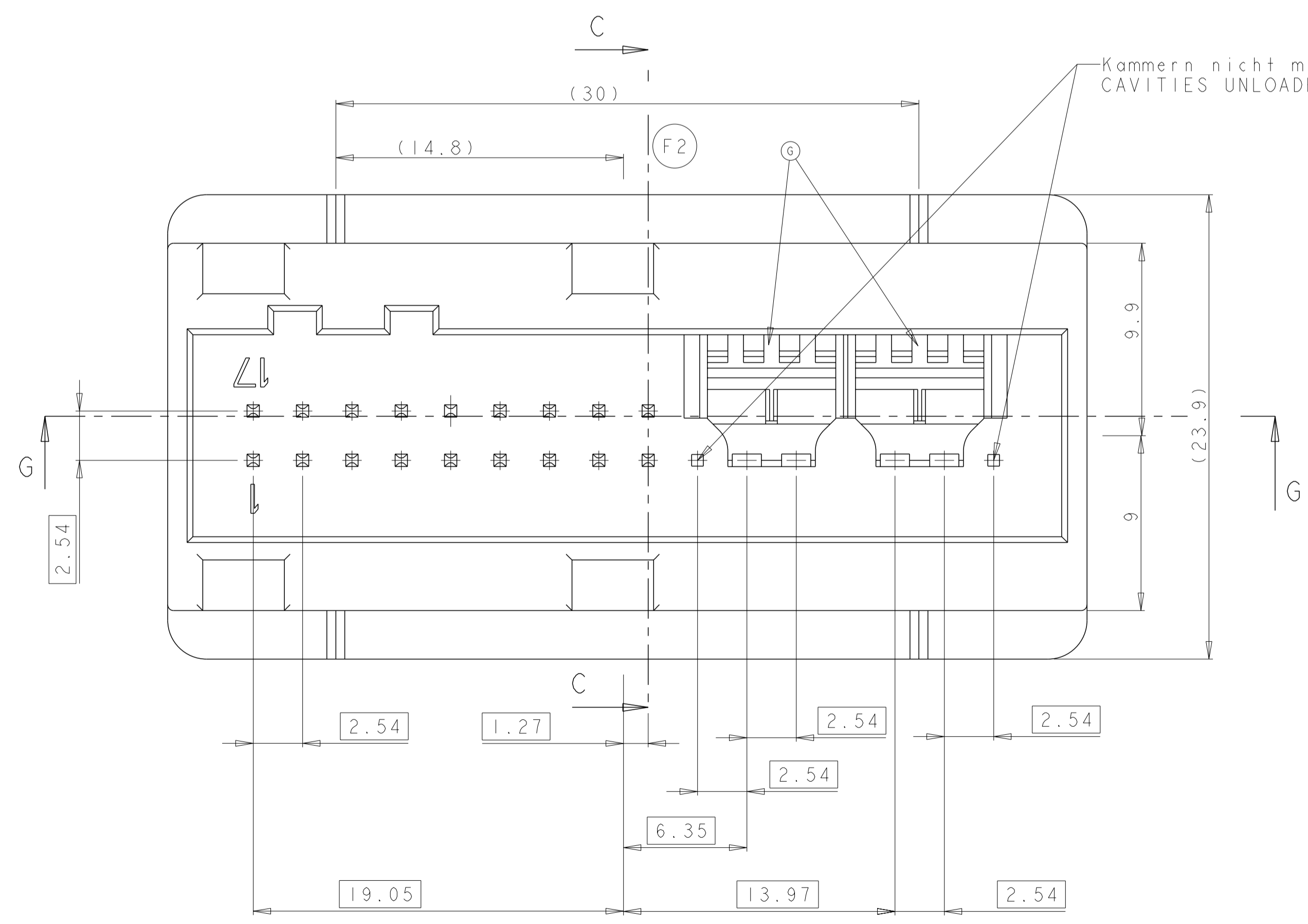


PROJEKT NO.
 A98-52140
 B909529

REV. LTR		DESCRIPTION	DATE	DWN	APVD
G1		SEE PCN E-06-005377	06MAR2006	HSCH	VB
H		SEE E-06-018039	26JUL2006	SC	HSCH
H1		SEE E-06-020971	31AUG2006	SC	HSCH
H2		ECR-20-009464	08JUL2020	VKS	PT



- NOTES
 Bemerkungen
- 1 AMP-LOGO
AMP-Logo
 - 2 ORDER-NUMBER
Bestell-Nummer
 - 3 REVISIONS-NUMBER
Werkzeugaenderungsindex
 - 4 TOOL CAVITY MARKING
Nestmarkierung
 - 5 CAVITY MARKING
Kammernumerierung
 - 6 -
 - 7 MATERIAL MARKING
Werkstoffkennzeichnung
 - 8 PRODUCTION-DATE
Produktions-Datum

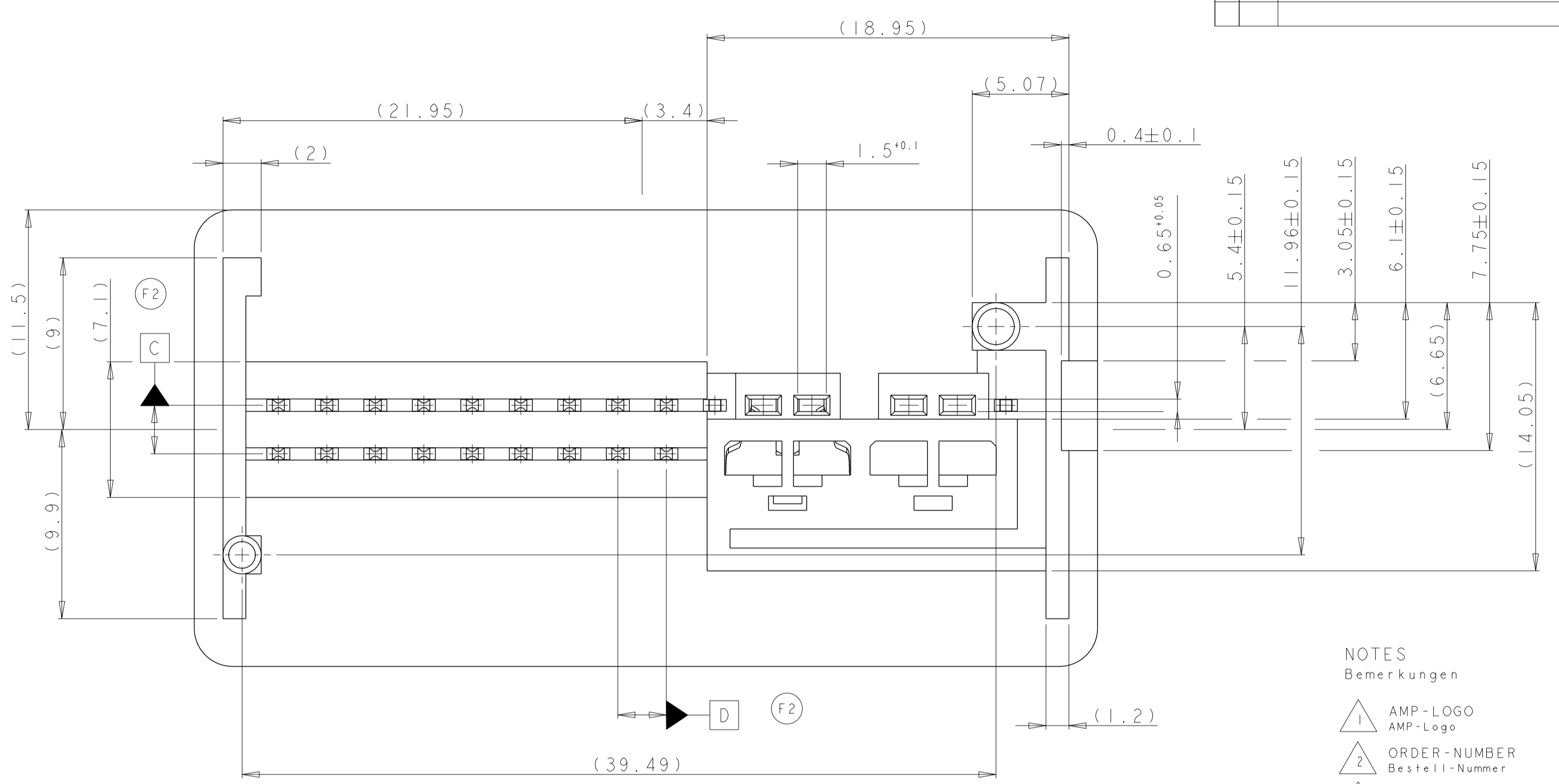
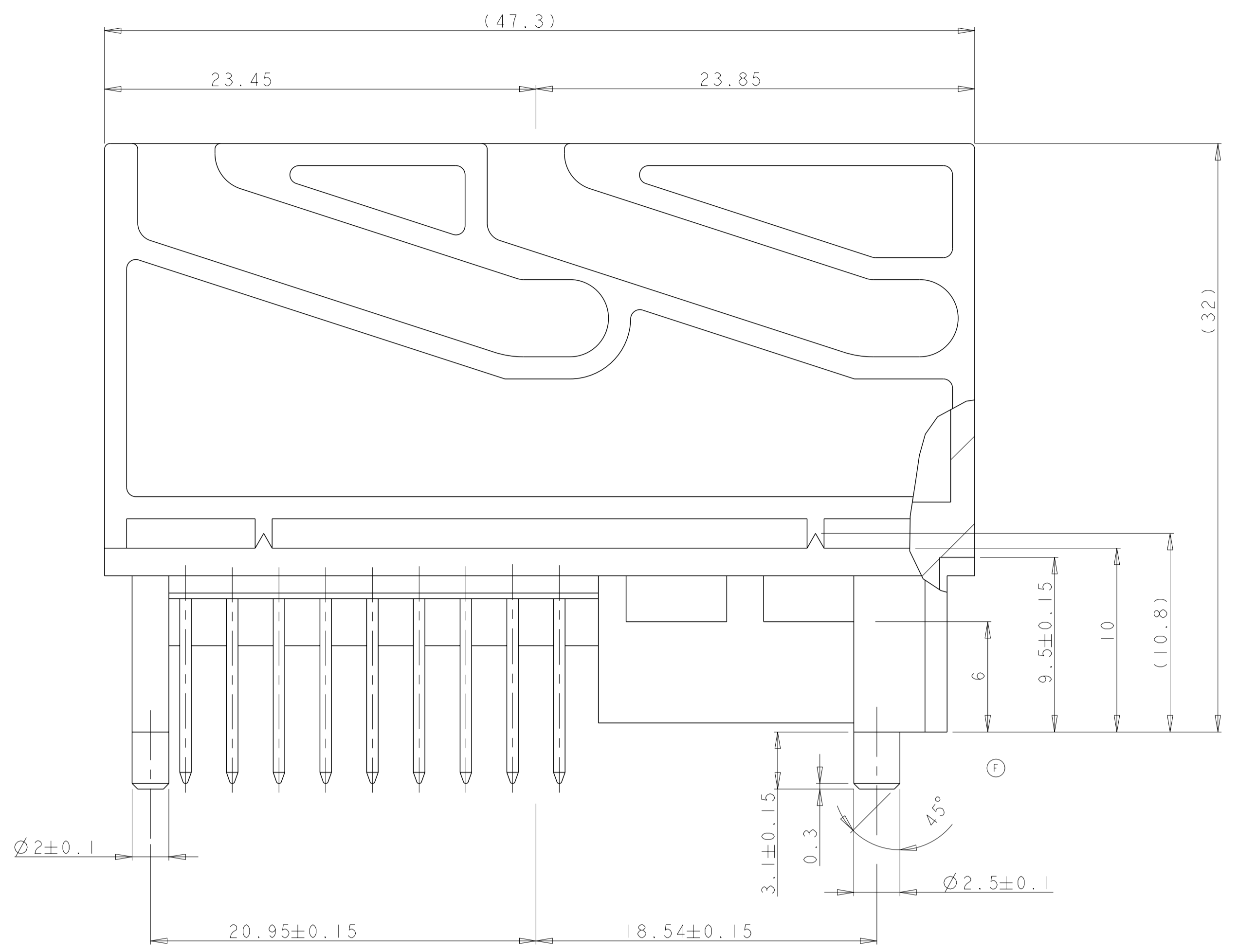


NUMBER	DESCRIPTION	DESCRIPTION
0-1241726-1	REC.-HOUSING FOR SHORT CIRCUIT BRIDGE	
0-1241719-1	COVER WITH SLIDE, 90° FOR SHORT CIRCUIT BRIDGE	
	COUNTERPARTS	GEGENSTECKER

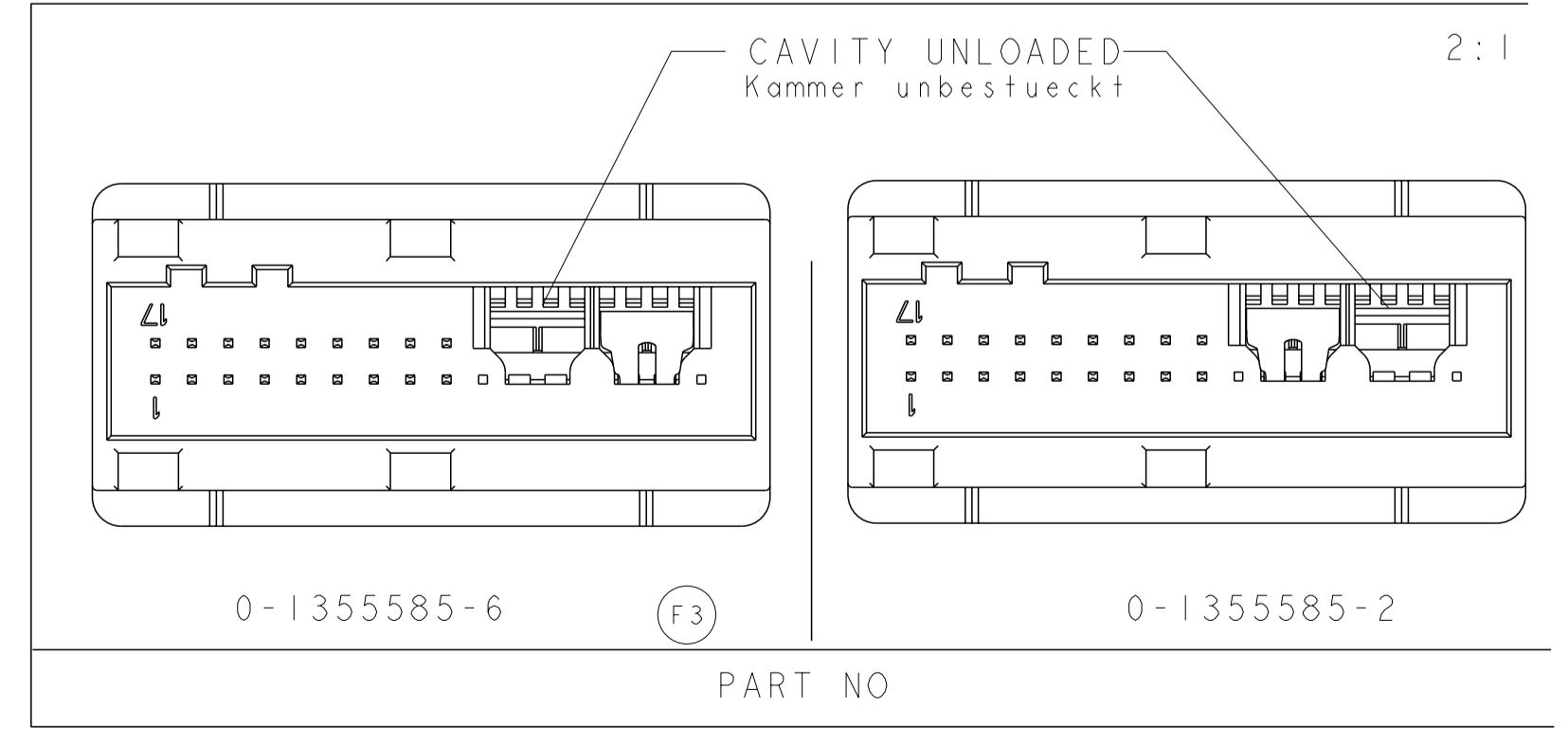
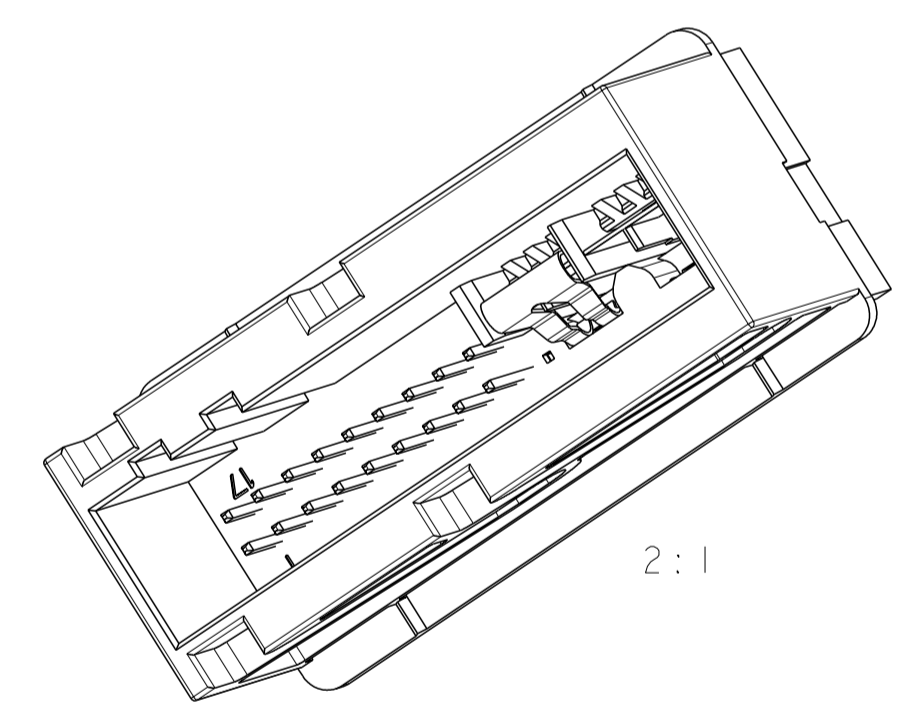
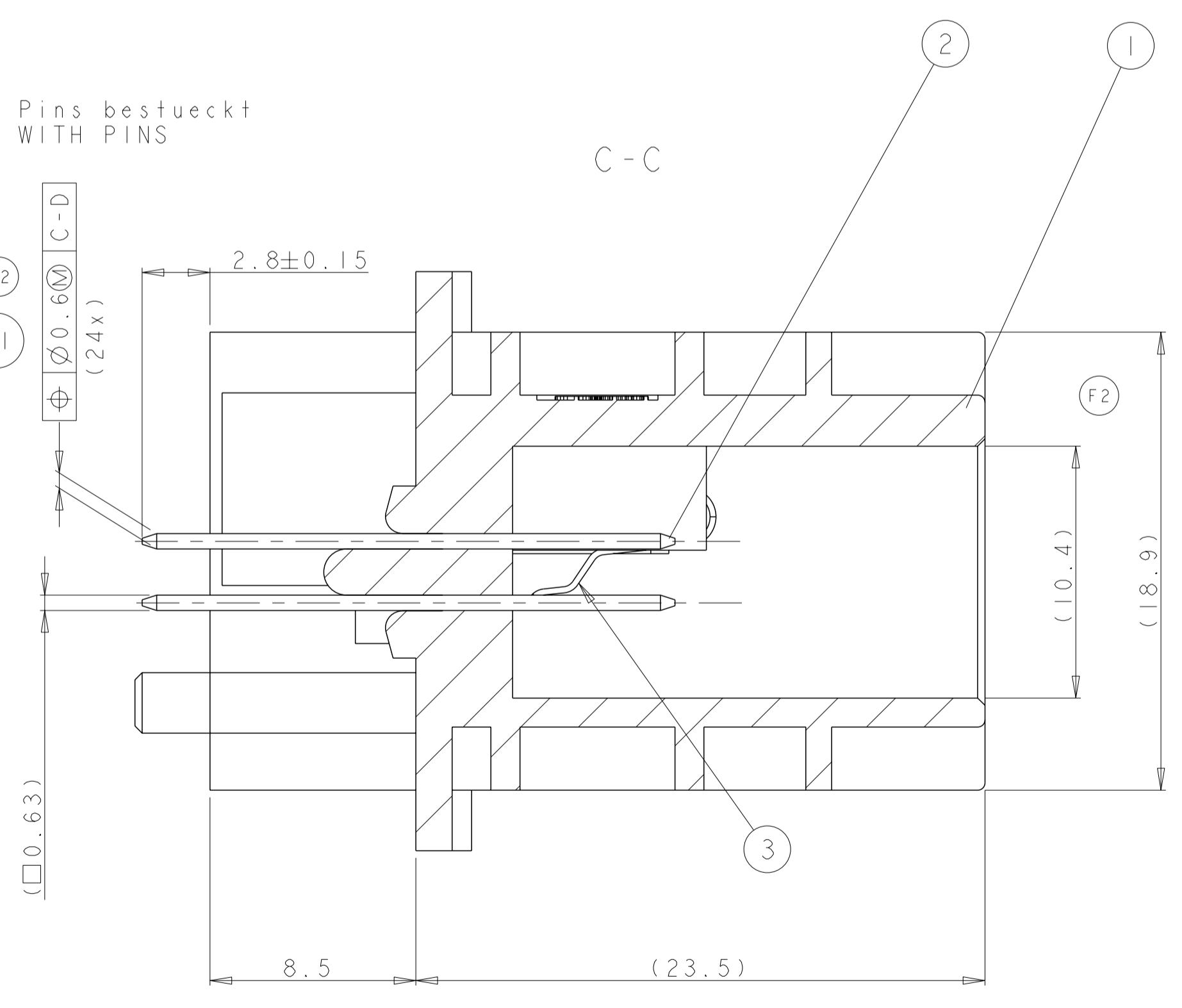
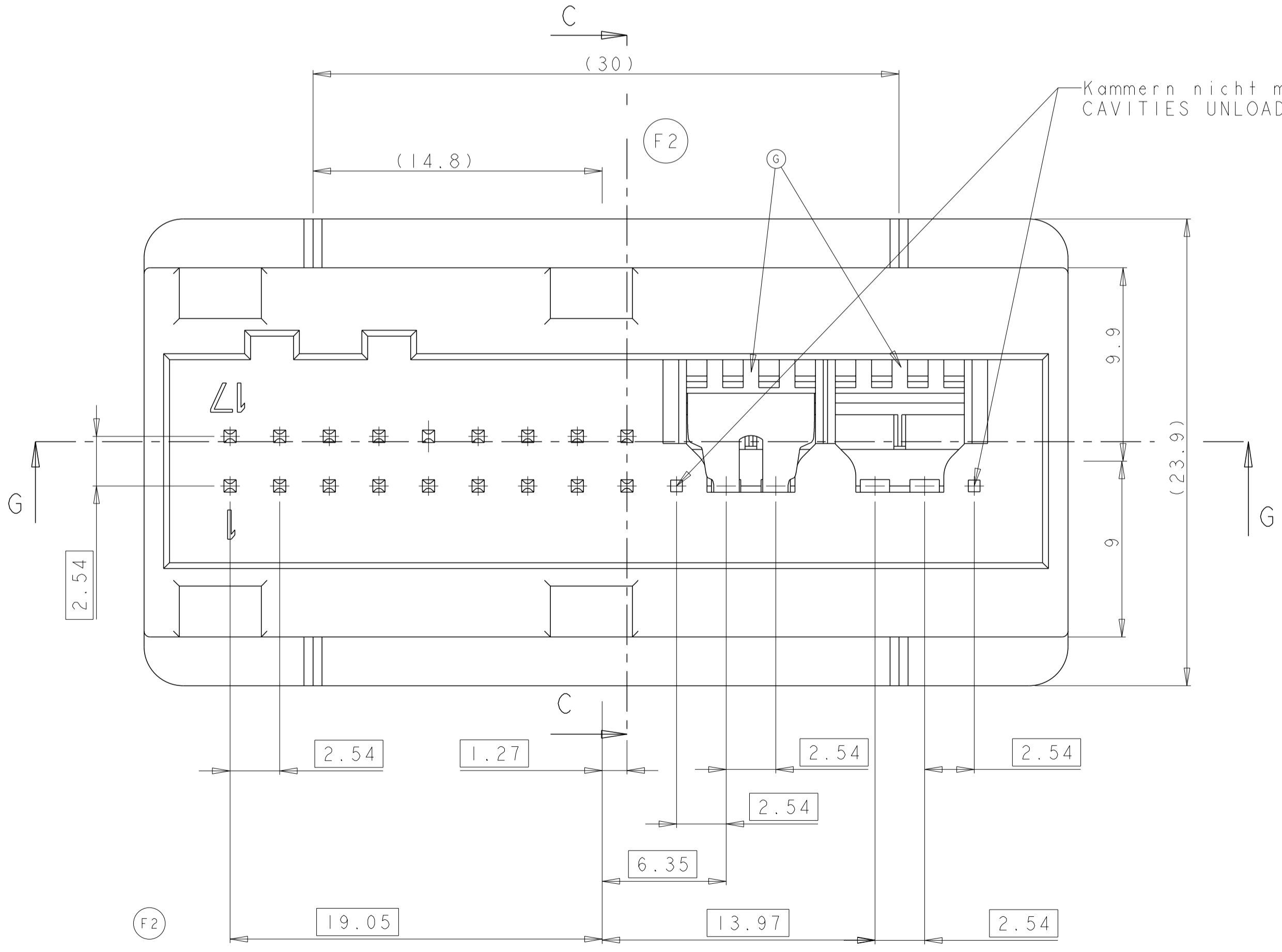
AMP PART NO.	REV.	DESCRIPTION	QTY.	MATERIAL	SURFACE	ITEM
0-1355585-1	H	AMP MODU II PIN PIN HEADER 18+4POS., COD. A	18 1	CuSn6 PPA-GF 25	TIN PLATED BLACK	2 1

DIMENSIONS:		TOLERANCES UNLESS OTHERWISE SPECIFIED:		MATERIAL		FINISH	
0	PLC	±0.3					
1	PLC	±0.3					
2	PLC	±0.3					
3	PLC	±0.3					
4	PLC	±0.3					
ANGLES		±2°					

DWN	J. Juin	21 JUL 99	AMP		Tyco Electronics AMP GmbH	
CHK	H. Schmitt	21 JUL 99			D - 63225 Langen	
APVD			NAME		18+4POS. AMPMODU II PIN HEADER	
			PRODUCT SPEC		108-18688	
			APPLICATION SPEC		114-18334	
			SIZE		CAGE CODE DRAWING NO	
			A1		00779 C=1355585	
			WEIGHT		RESTRICTED TO	
			CUSTOMER DRAWING		SCALE 5:1 SHEET 1 OF 4 REV H2	



- NOTES
Bemerkungen
- 1 AMP-LOGO
AMP-Logo
 - 2 ORDER-NUMBER
Bestell-Nummer
 - 3 REVISIONS-NUMBER
Werkzeugaenderungsindex
 - 4 TOOL CAVITY MARKING
Nestmarkierung
 - 5 CAVITY MARKING
Kammernummerierung
 - 6 -
 - 7 MATERIAL MARKING
Werkstoffkennzeichnung
 - 8 PRODUCTION-DATE
Produktions-Datum



0-1241726-1	REC.-HOUSING FOR SHORT CIRCUIT BRIDGE
0-1241719-1	COVER WITH SLIDE, 90° FOR SHORT CIRCUIT BRIDGE
NUMBER NUMBER	DESCRIPTION BESCHREIBUNG
COUNTERPARTS GEGENSTECKER	

AS SHOWN
0-1355585-2
wie gezeichnet

AMP PART NO. AMP Nummer	REV.	DESCRIPTION Beschreibung	QTY. Stück.	MATERIAL	SURFACE COLOR	ITEM NO.
0-1355585-6 (F3)	C	SHORT CIRCUIT SPRING	1	X12CrNi177	>3.0µm Au selektiv am Kontaktpunkt	3
		AMP MODU II PIN	18	CuSn6	TIN PLATED	2
		PIN HEADER 18+4POS., COD. A	1	PPA-GF 25	BLACK	1
0-1355585-2 (H2)	H	SHORT CIRCUIT SPRING	1	X12CrNi177	>3.0µm Au selektiv am Kontaktpunkt	3
		AMP MODU II PIN	18	CuSn6	TIN PLATED	2
		PIN HEADER 18+4POS., COD. A	1	PPA-GF 25	BLACK	1

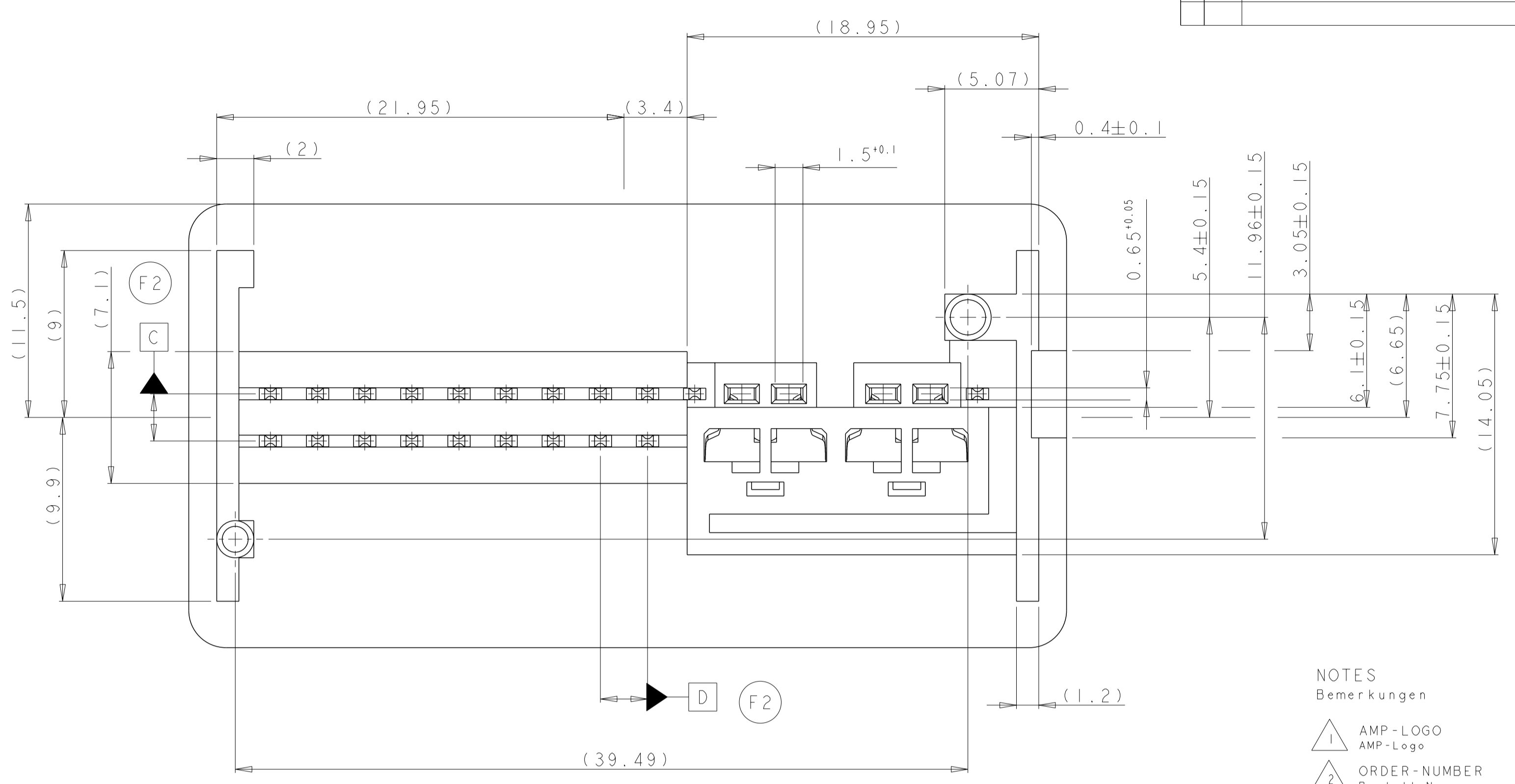
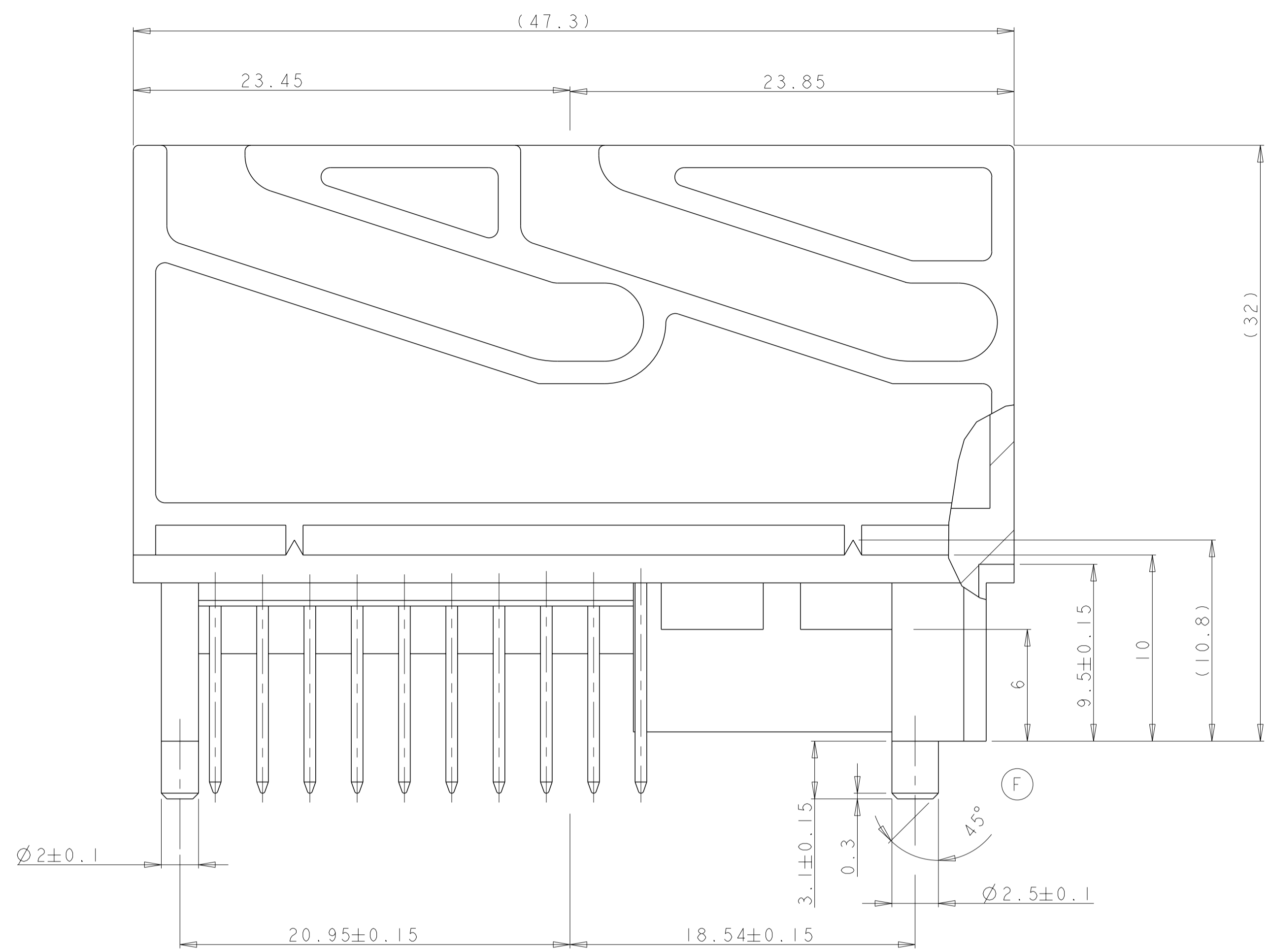
DIMENSIONS: mm
 TOLERANCES UNLESS OTHERWISE SPECIFIED:
 0 PLC ±0.3
 1 PLC ±0.3
 2 PLC ±0.3
 3 PLC ±0.3
 4 PLC ±0.3
 ANGLES ±2°

DWN H. Schmitt 130CT00
 CHK V. BERGMANN 10AUG01
 APVD -
 PRODUCT SPEC 10AUG01
 APPLICATION SPEC 108-18688-1
 114-18334-1
 WEIGHT -
 CUSTOMER DRAWING

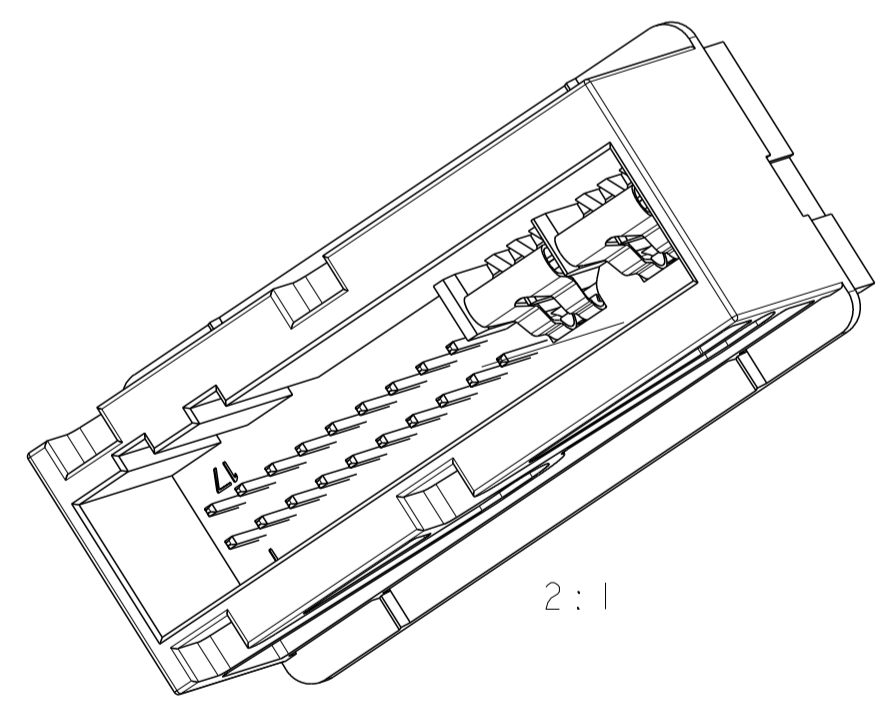
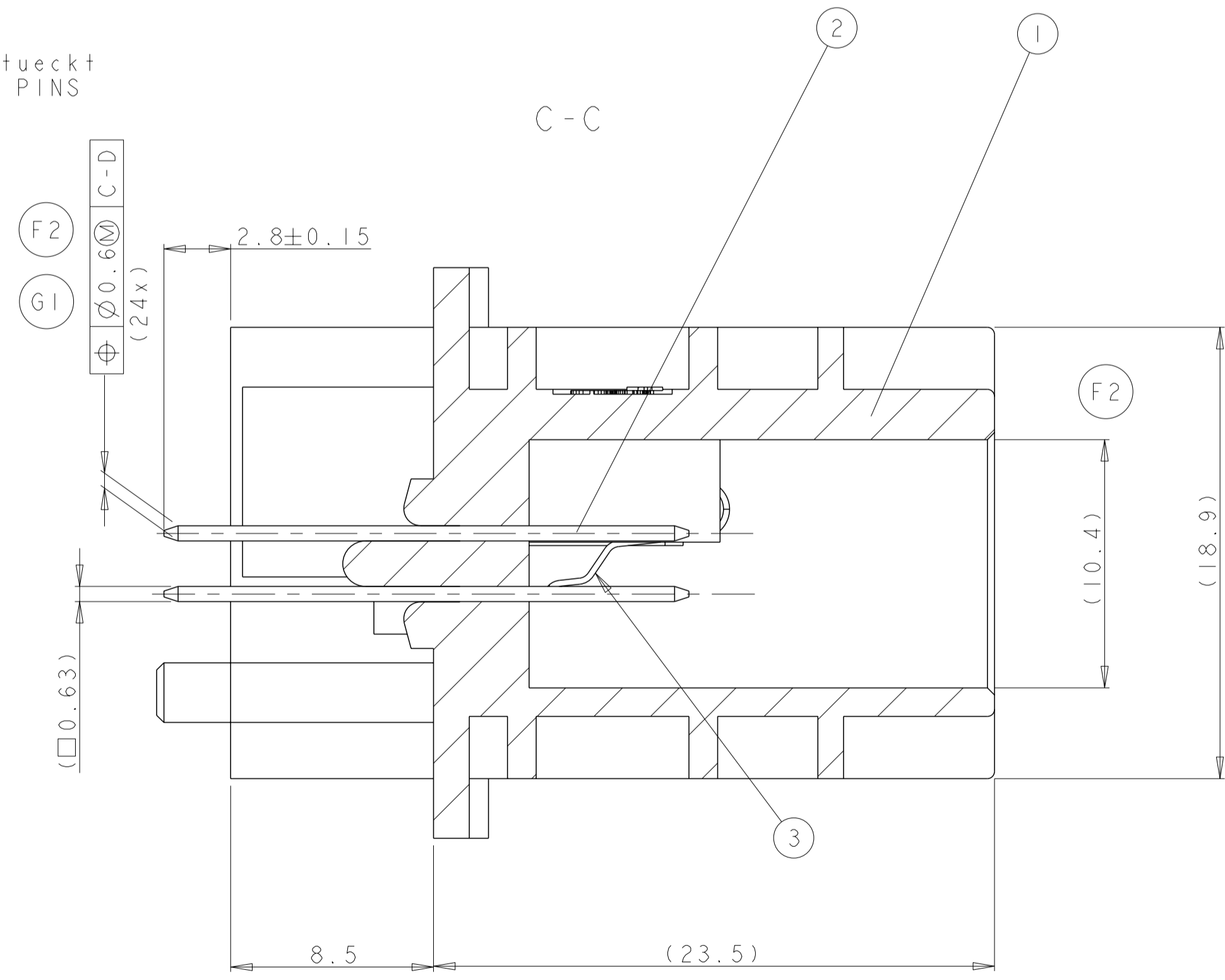
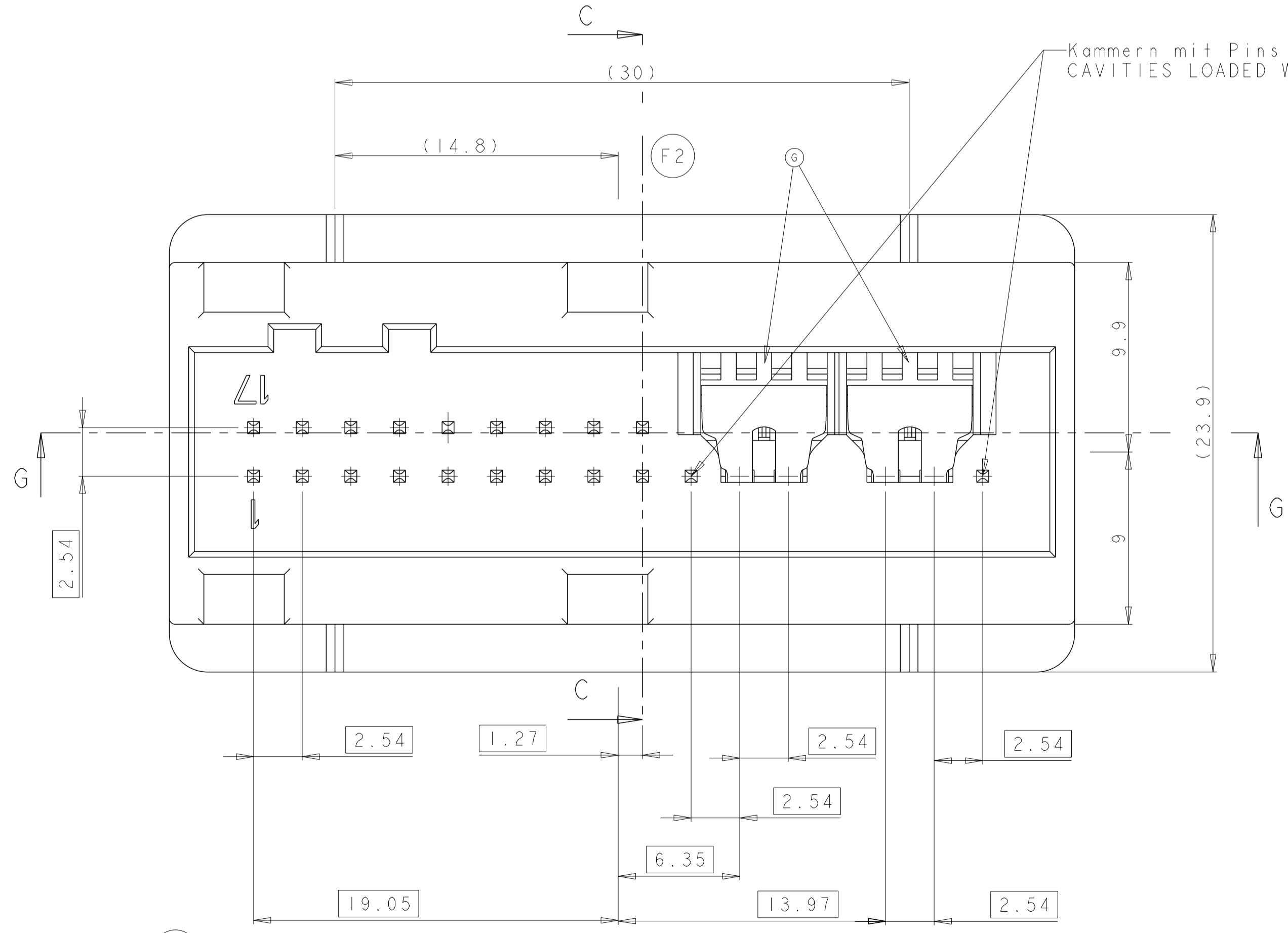
AMP Tyco Electronics AMP GmbH
 D - 63225 Langen
 NAME 18+4POS. AMPMODU II PIN HEADER
 18+4pol. AMPMODU II Stiftwanne
 SIZE CAGE CODE DRAWING NO. 00779 ©=1355585
 RESTRICTED TO
 SCALE 5:1 SHEET 2 OF 4 REV H2

PROJEKT NO.
 A98-52140
 B909529

REVISONS		DATE	DWN	APVD
P	LTR	DESCRIPTION		
-	-	SEE SHEET 1	-	-
-	-		-	-
-	-		-	-



- NOTES
 Bemerkungen
- 1 AMP-LOGO
AMP-Logo
 - 2 ORDER-NUMBER
Bestell-Nummer
 - 3 REVISIONS-NUMBER
Werkzeugaenderungsindex
 - 4 TOOL CAVITY MARKING
Nestmarkierung
 - 5 CAVITY MARKING
Kammernumerierung
 - 6 -
 - 7 MATERIAL MARKING
Werkstoffkennzeichnung
 - 8 PRODUCTION-DATE
Produktions-Datum



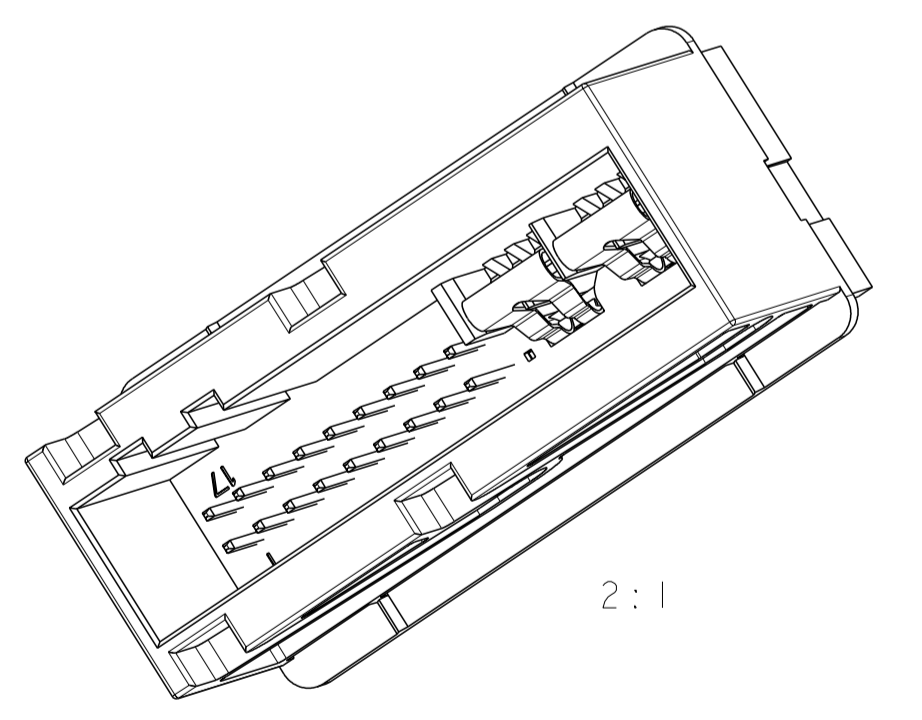
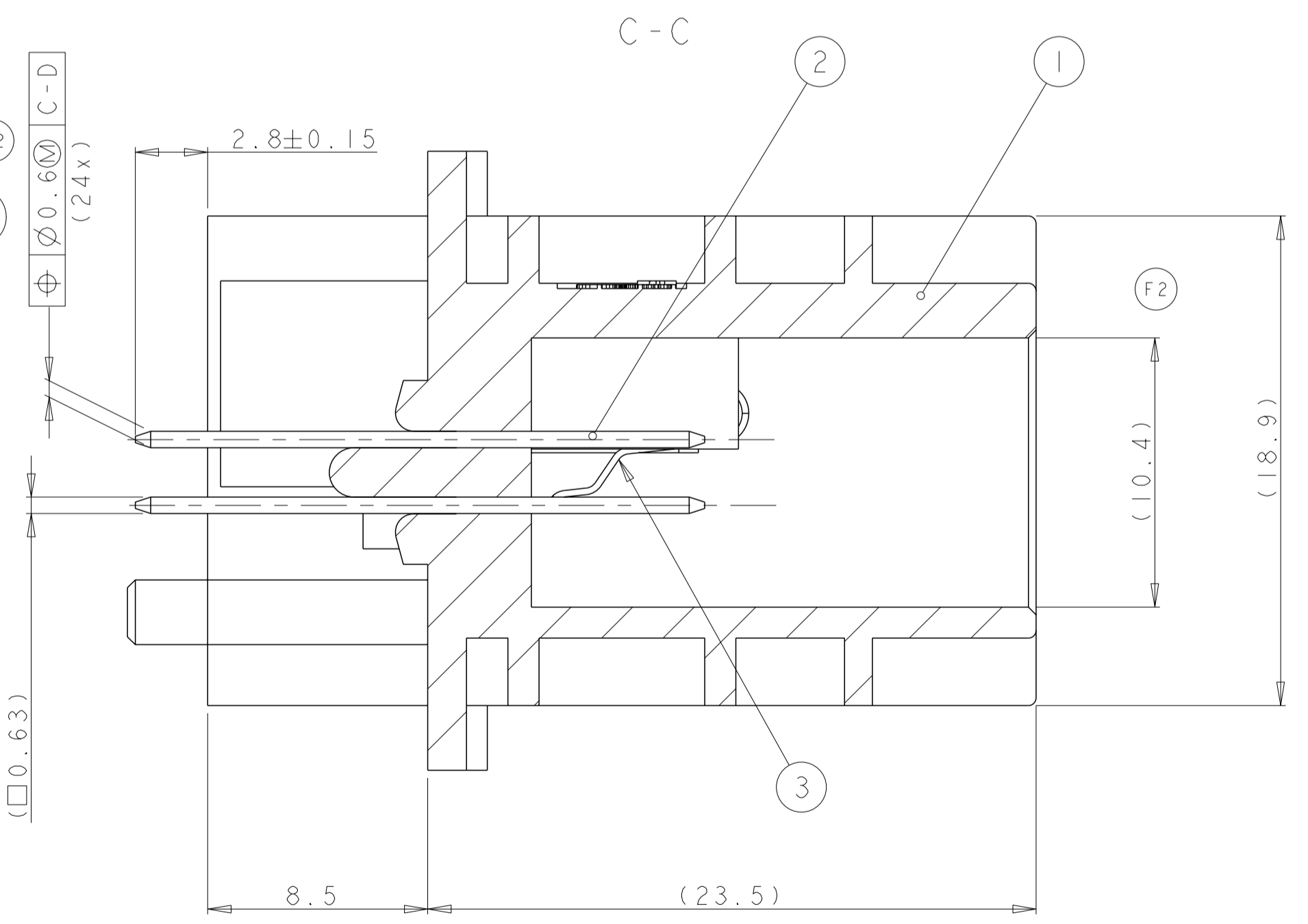
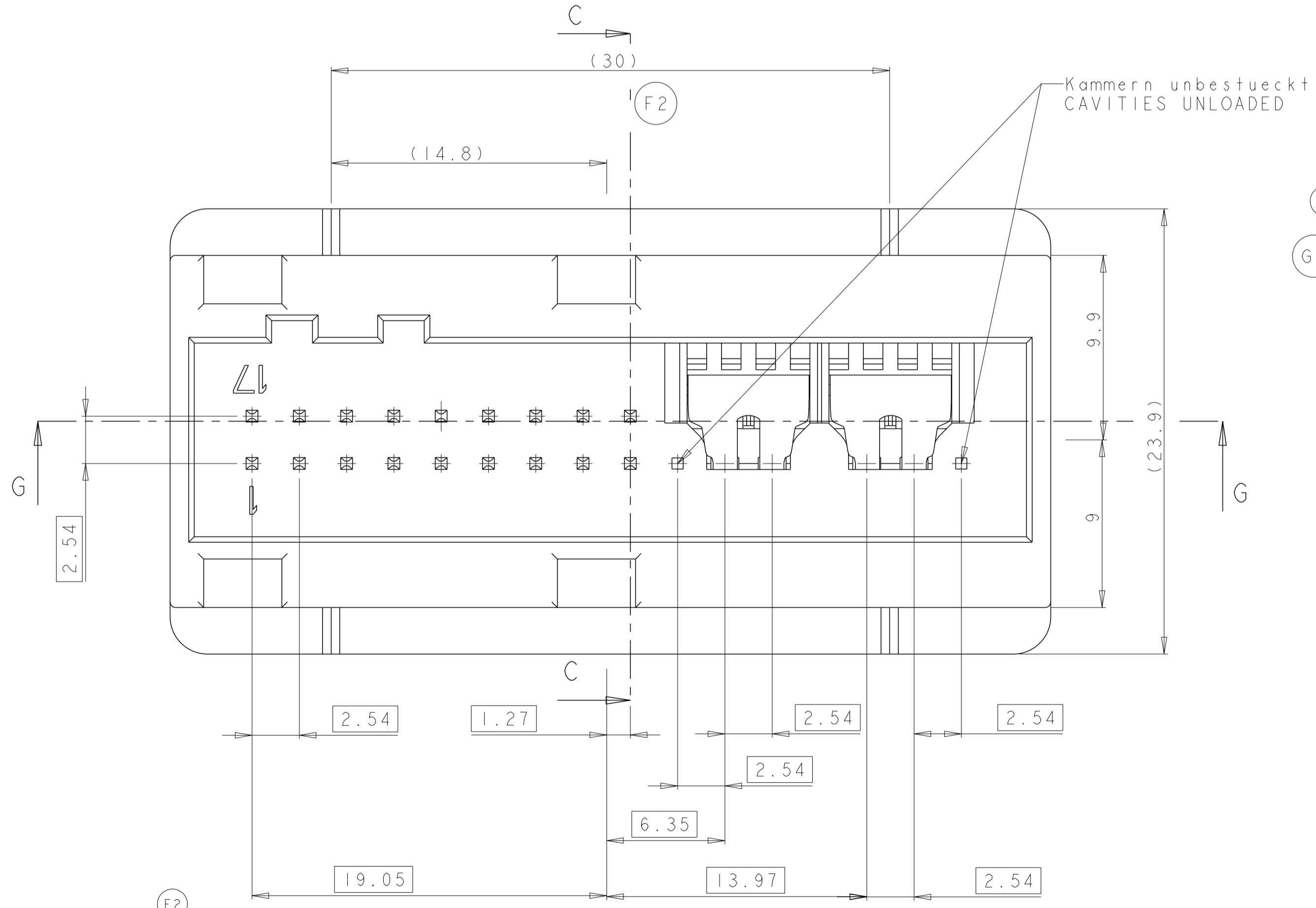
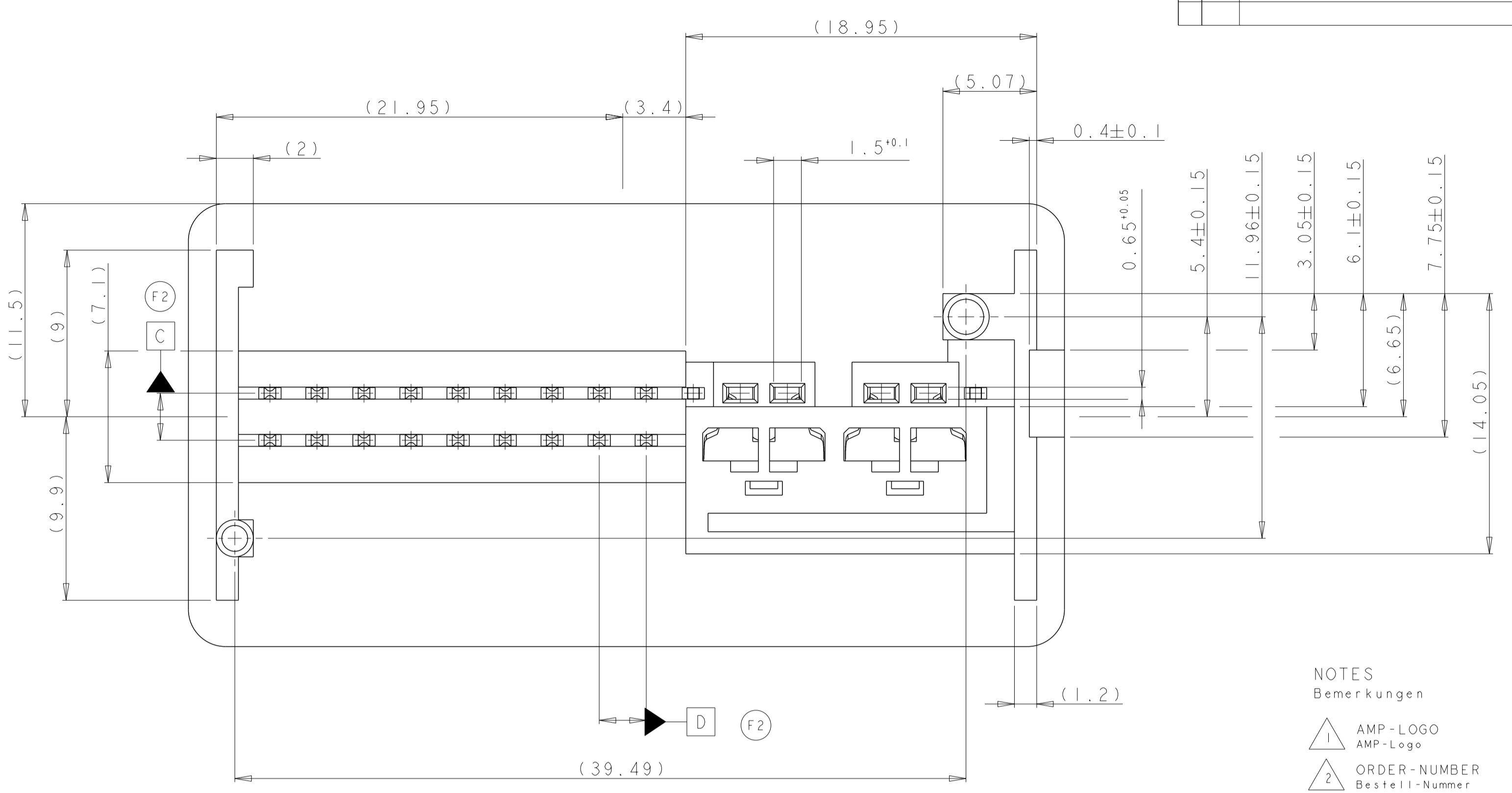
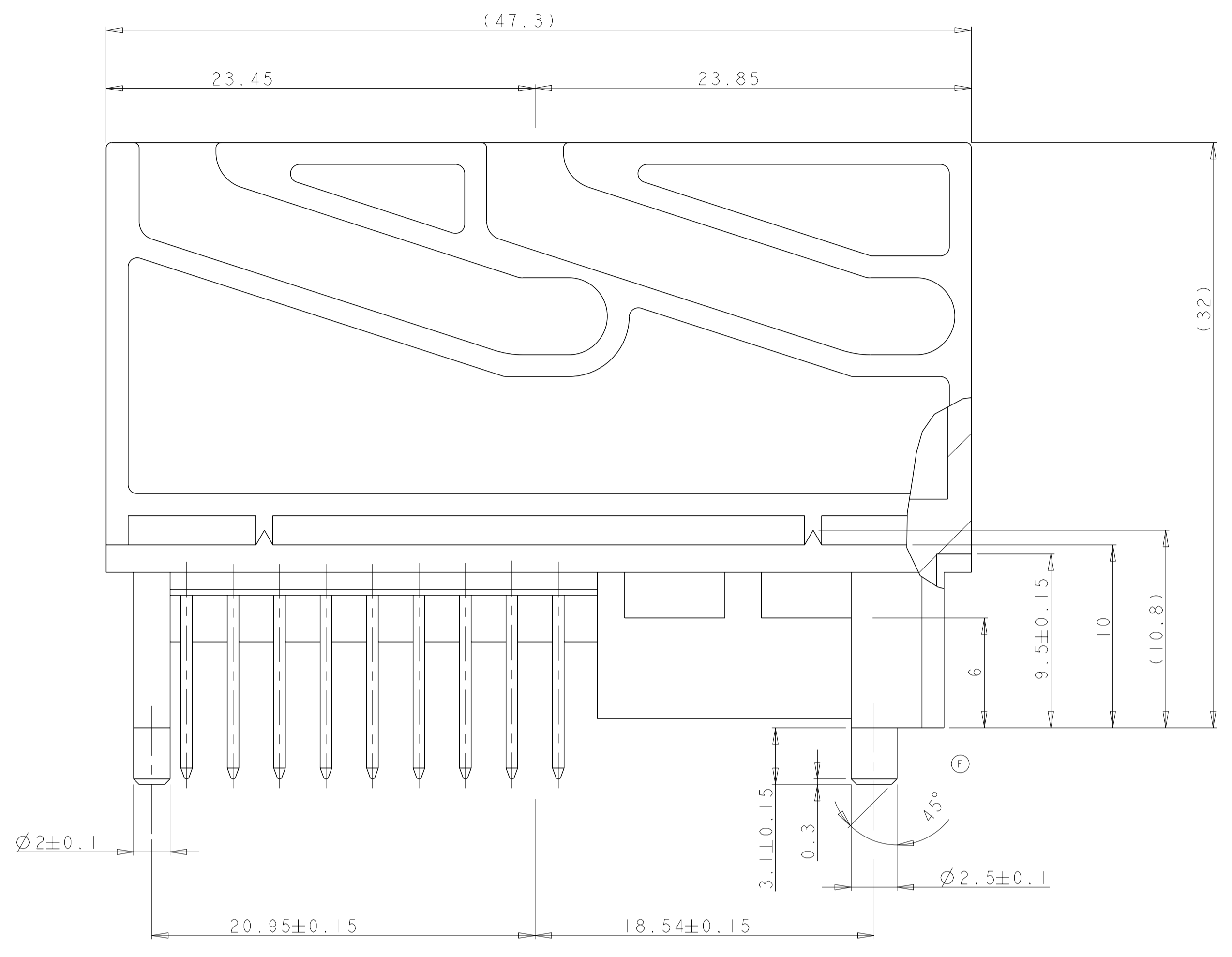
0-1241726-1	REC.-HOUSING FOR SHORT CIRCUIT BRIDGE
0-1241719-1	COVER WITH SLIDE, 90° FOR SHORT CIRCUIT BRIDGE
NUMBER	DESCRIPTION
NUMMER	BESCHREIBUNG
	COUNTERPARTS
	GEGENSTECKER

AMP PART NO.	REV.	DESCRIPTION	QTY.	MATERIAL	SURFACE	ITEM
AMP Nummer		Beschreibung	Stück.		COLOR	NO.
0-1355585-3	H2	SHORT CIRCUIT SPRING	2	X12CrNi177	33.0µm Au selektiv	3
		AMP MODUL PIN	20	CuSn6	TIN PLATED	2
		PIN HEADER 18+4POS., COD. A	1	PPA-GF 25	BLACK	1

DIMENSIONS: mm		TOLERANCES UNLESS OTHERWISE SPECIFIED:	
0 PLC	±0.3	0 PLC	±0.3
1 PLC	±0.3	1 PLC	±0.3
2 PLC	±0.3	2 PLC	±0.3
3 PLC	±0.3	3 PLC	±0.3
4 PLC	±0.3	4 PLC	±0.3
ANGLES	±2°	FINISH	

DWN	H.Schmitt	130CT00
CHK	V.BERGEMANN	09AUG01
APVD		
NAME	AMP Tyco Electronics AMP GmbH D - 63225 Langen	
PRODUCT SPEC	18+4POS. AMPMODU II PIN HEADER	
APPLICATION SPEC	108-18688-1 18+4pol. AMPMODU II Stiftwanne	
SIZE	CAGE CODE	DRAWING NO
114-18334-1	A1	00779
WEIGHT	C=1355585	
CUSTOMER DRAWING	SCALE	SHEET 3 OF 4
	5:1	REV H2

REVISONS		DATE	DWN	APVD
P	LTR	DESCRIPTION		
-	-	SEE SHEET 1	-	-
-	-		-	-
-	-		-	-



- NOTES
 Bemerkungen
- △ AMP-LOGO
AMP-Logo
 - 2 ORDER-NUMBER
Bestell-Nummer
 - 3 REVISIONS-NUMBER
Werkzeugaenderungsindex
 - 4 TOOL CAVITY MARKING
Nestmarkierung
 - 5 CAVITY MARKING
Kammernumerierung
 - 6 -
 - 7 MATERIAL MARKING
Werkstoffkennzeichnung
 - 8 PRODUCTION-DATE
Produktions-Datum

0-1241726-1	REC.-HOUSING FOR SHORT CIRCUIT BRIDGE
0-1241719-1	COVER WITH SLIDE, 90° FOR SHORT CIRCUIT BRIDGE
NUMBER NUMBER	DESCRIPTION BESCHREIBUNG
COUNTERPARTS GEGENSTECKER	

AMP PART NO. AMP Bestell-Nr.	REV.	DESCRIPTION Beschreibung	QTY. Stck.	MATERIAL	SURFACE COLOR	ITEM NO.
0-1355585-5	C	SHORT CIRCUIT SPRING	2	XI2CrNi177	53.0um Au selektiv am Kontaktpunkt	3
		AMP MODU II PIN	18	CuSn6	TIN PLATED	2
		PIN HEADER 18+4POS., COD. A	1	PPA-GF 25	BLACK	1

DIMENSIONS: mm		TOLERANCES UNLESS OTHERWISE SPECIFIED:		DWN A.Richter 09JUL2001	tyco Electronics	Tyco Electronics AMP GmbH D - 63225 Langen
0 PLC	±0.3	1 PLC	±0.3	CHK H.Schmitt 10JUL2001		
2 PLC	±0.3	3 PLC	±0.3	APVD -	NAME	18+4POS. AMPMODU II PIN HEADER
4 PLC	±0.3	ANGLES	±2°	PRODUCT SPEC	SIZE	18+4pol. AMPMODU II Stiftwanne
				APPLICATION SPEC	CAGE CODE	DRAWING NO
				WEIGHT	114-18334-1	RESTRICTED TO
				CUSTOMER DRAWING	00779	©=1355585
				SCALE	5:1	SHEET 4 OF 4 REV H2