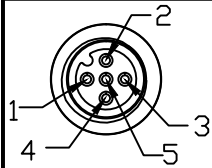
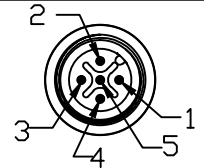


FEMALE INSERT  
FACE VIEW

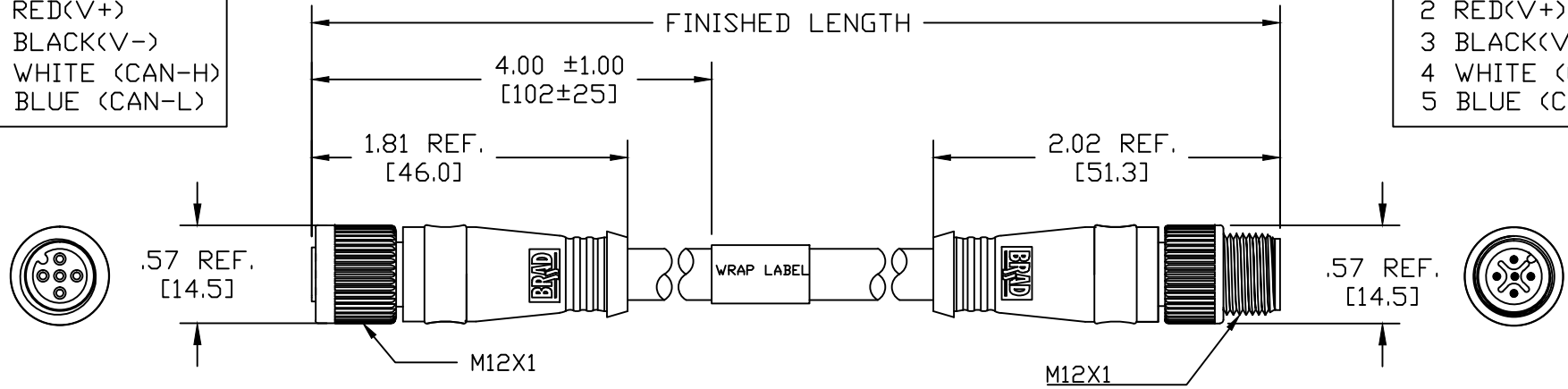


- 1 DRAIN WIRE
- 2 RED<V+>
- 3 BLACK<V->
- 4 WHITE (CAN-H)
- 5 BLUE (CAN-L)

MALE INSERT  
FACE VIEW



- 1 DRAIN WIRE
- 2 RED<V+>
- 3 BLACK<V->
- 4 WHITE (CAN-H)
- 5 BLUE (CAN-L)



DNDL22A-M020

cable length  
M020----2 Meter  
M100----10 Meter

MECHANICAL  
CONTACT: GOLD/NICKEL OVER COPPER ALLOY  
INSERT : BLACK NYLON  
ORING: RED VITON  
COUPLING NUT: ZINC DIECAST WITH BLACK EPOXY COATED  
MOLDED BODY: GREY PVC  
CABLE COLOR: LIGHT BLUE  
CABLE MARKING: ----- KURAMO E162205-K c<sup>us</sup> AWM  
STYLE 2464 I A 80C 300V VW-FT1 LF-----

ELECTRICAL  
VOLTAGE RATING: 250V AC/DC  
AMPERAGE: 4A

ENVIRONMENTAL  
PROTECTION: IP67  
OPERATION TEMP: 0°C~80°C

RELEASED EC NO: IFC2013-0576 DRWN: BARDEN 2012/10/18 CHKD: TWOLDEGE APPR: JFMURPHY 2012/11/02 REV A	QUALITY SYMBOLS	GENERAL TOLERANCES (UNLESS SPECIFIED)		DIMENSION STYLE IN/MM		SCALE 1:1	DESIGN UNITS INCH	THIRD ANGLE PROJECTION	
	=0 C=0	4 PLACES	mm	INCH	DRAWN BY DATE	TITLE			
		3 PLACES	±---	±---	TWOLDEGE 2011/07/06	DEVICE NET ASSEMBLY			
		2 PLACES	±0.13	±0.010	CHECKED BY DATE	5 POLE M/FE STRAIGHT			
	1 PLACE	±0.25	±0.020	BARDEN ---	KND-SBZ LIGHT BLUE PVC				
	ANGULAR ±---°		APPROVED BY DATE		MOLEX MOLEX INCORPORATED				
	DRAFT WHERE APPLICABLE MUST REMAIN WITHIN DIMENSIONS		JFMURPHY 2012/11/02		DOCUMENT NO.		SD-130261-005		
			MATERIAL NO.		SHEET NO.		1 OF 1		
			SIZE A		THIS DRAWING CONTAINS INFORMATION THAT IS PROPRIETARY TO MOLEX INCORPORATED AND SHOULD NOT BE USED WITHOUT WRITTEN PERMISSION				