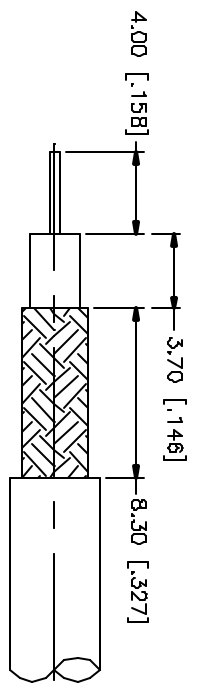
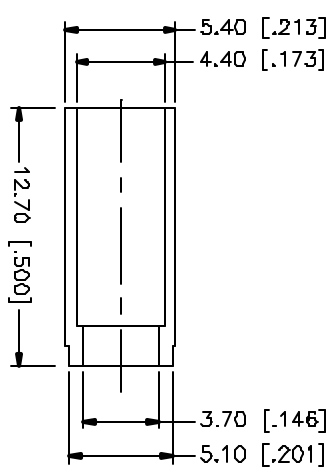
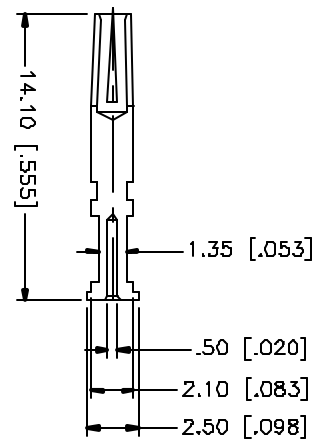
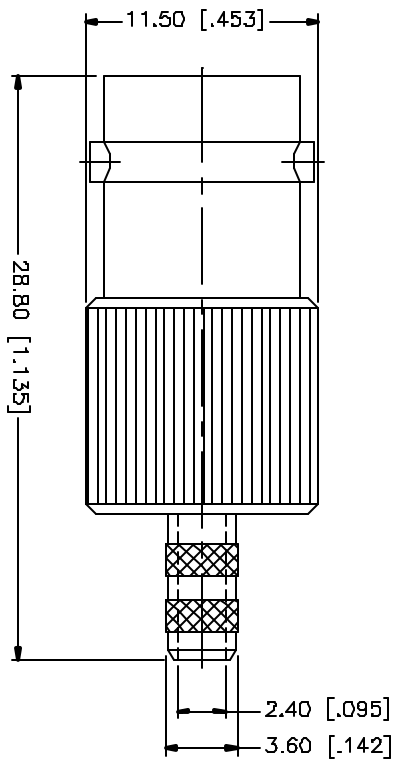


REV.	DATE	DESCRIPTION
A	03/18/05	UPDATE DRAWING FORMAT



RECOMMENDED  
CABLE STRIPPING DIM'S



QTY	FINISH	MATERIAL	DESCRIPTION
1	NICKEL	COOPER	FERRULE
1	GOLD	PHOS. BRONZE	CONTACT FIN
1	NATURAL	TEFLON	INSULATOR
1	NICKEL	BRASS	BODY

APPROVALS	DATE
DRAWN G.R.S.	03/18/05
CHECKED	
ISSUED	
SHEET 1 OF 1	

UNLESS OTHERWISE SPECIFIED, DIMENSIONS ARE IN MILLIMETERS AND FRACTIONS THEREOF. DIMENSIONS FOR MILLIMETER ARE:
UNLESS OTHERWISE SPECIFIED, DIMENSIONS FOR MILLIMETER ARE:
ØS - 30mm ± 0.20mm
Ø - 30mm ± 0.40mm
3D - 120mm ± 0.50mm
UNLESS OTHERWISE SPECIFIED, DIMENSIONS FOR INCHES ARE:
.020 - .315 = ± 0.007"
.315 - 1.180 = ± 0.015"
1.180 - 4.724 = ± 0.020"

APPENDIX	DATE
DRAWN G.R.S.	03/18/05

DESCRIPTION	MTC. NO.	REV.	SIZE	SCALE
BNC CRIMP JACK (FOR AT&T 735A - 75ohm)	112974	A	A	NA