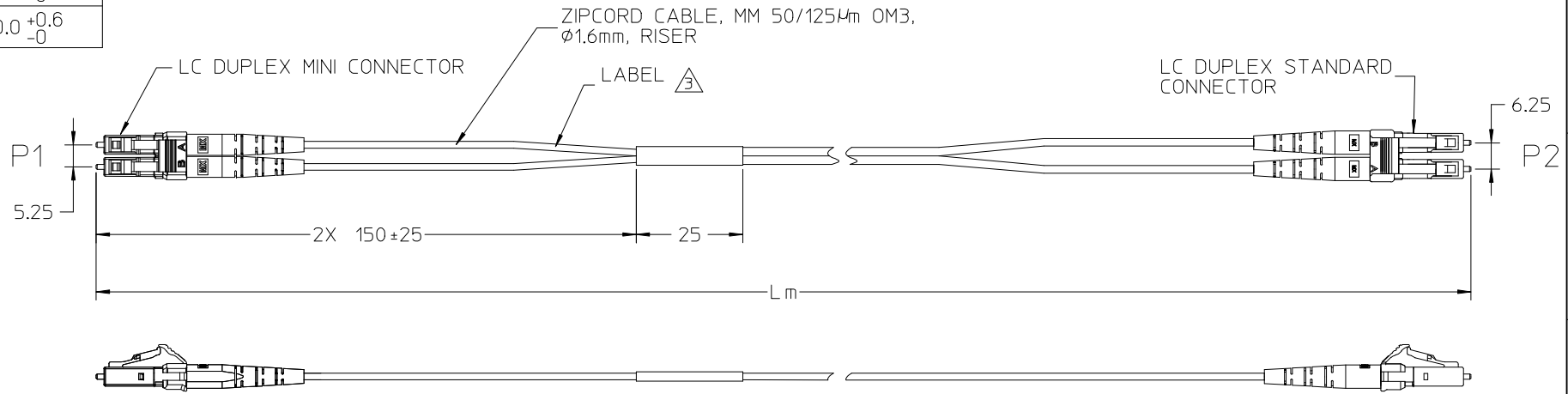


JUMPER P/N	LENGTH L
106273-0525	1.0 ^{+0.2} ₋₀
106273-0526	2.0 ^{+0.2} ₋₀
106273-0527	3.0 ^{+0.2} ₋₀
106273-0528	5.0 ^{+0.2} ₋₀
106273-0529	10.0 ^{+0.3} ₋₀
106273-0693	13.0 ^{+0.3} ₋₀
106273-0708	15.0 ^{+0.3} ₋₀
106273-0554	20.0 ^{+0.4} ₋₀
106273-0709	25.0 ^{+0.5} ₋₀
106273-0683	30.0 ^{+0.6} ₋₀

CONNECTIONS	
FROM	TO
P1-A	P2-B
P1-B	P2-A



NOTES:

1. DUST CAPS ARE NOT SHOWN BUT INCLUDED.
2. MAXIMUM INSERTION LOSS PER CONNECTOR AT 850nm - 0.35dB.
3. LABEL IS PRINTED WITH MOLEX P/N AND SERIAL NUMBER. TEST DATA PER CONNECTOR IS SUPPLIED WITH EACH SHIPMENT.

ENTER DESCRIPTION EC NO: MF2013-0128 DRAWN BY: DRINKPEVZNER CHKD: 2012/08/29 APPR: IGUMIN 2012/08/31	DESCRIPTION 6	QUALITY SYMBOLS ▽=0 ▽=0	GENERAL TOLERANCES (UNLESS SPECIFIED)		DIMENSION STYLE MM ONLY		SCALE 1:1	DESIGN UNITS INCH	THIRD ANGLE PROJECTION
			mm	INCH	DRAWN BY	DATE	TITLE LCD MINI TO LCD JUMPER, MM 50/125 OM3		
			4 PLACES ± --- ± ---	3 PLACES ± --- ± ---	IGUMIN	2009/08/05			
			2 PLACES ± --- ± ---	1 PLACE ± --- ± ---	CHECKED BY	DATE	APPROVED BY 2009/08/05		
ANGULAR ±1/2° DRAFT WHERE APPLICABLE MUST REMAIN WITHIN DIMENSIONS		MATERIAL NO. SEE TABLE		DOCUMENT NO. SD-106273-0525		SHEET NO. 1 OF 1			
THIS DRAWING CONTAINS INFORMATION THAT IS PROPRIETARY TO MOLEX INCORPORATED AND SHOULD NOT BE USED WITHOUT WRITTEN PERMISSION									