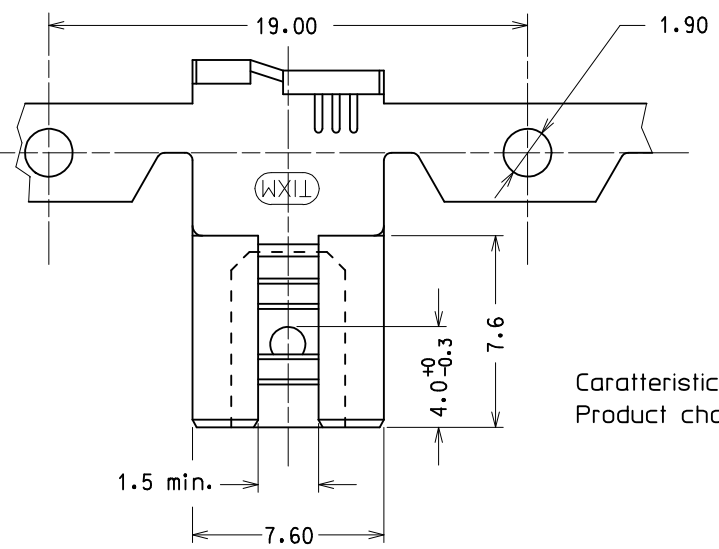
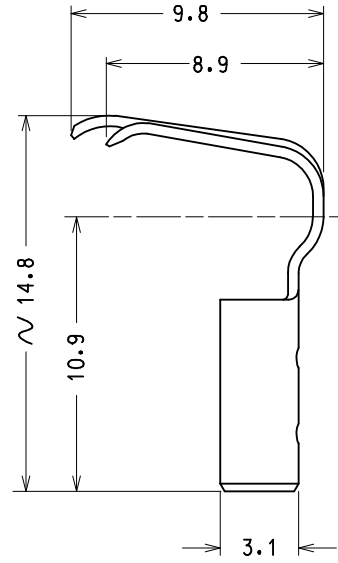


SENDO DI SVOLGIMENTO DALLA BOBINA PER APPLICATORE
DEREELING DIRECTION TO THE MINI-APPLICATOR



CODICE P/N	MATERIALE MATERIAL	FINITURA PLATING
94030-7950	OTTONE / BRASS	GREGGIO / PLAIN
94030-7951		STAGNATO / TIN
94030-7952	ACCIAIO / STEEL	NICHELATO / NICKEL
94030-7953	ALPACCA / GERMAN SILVER	GREGGIO / PLAIN

Caratteristiche di Prodotto secondo PS 94030-001 (versione italiana)
Product characteristics according to PS 94030-002 (english version)

Added notes EC NO: Z2015-0006 DRWN:LSANTESS 2014/07/18 CHKD:LSANTESS 2014/07/18 APPR:PZANGIROLAMI 2014/07/18	QUALITY SYMBOLS	GENERAL TOLERANCES (UNLESS SPECIFIED)	DIMENSION STYLE	SCALE	DESIGN UNITS	FIRST ANGLE PROJECTION
	$F_A=0$ $F_C=0$ $F_P=0$	mm INCH 4 PLACES ± --- ± --- 3 PLACES ± --- ± --- 2 PLACES ± 0.10 ± --- 1 PLACE ± 0.20 ± --- 0 PLACE ± ±	MM ONLY	5:1	METRIC	
	REV	ANGULAR ± 3 °	DRAWN BY	DATE	TITLE	
	A1	DRAFT WHERE APPLICABLE MUST REMAIN WITHIN DIMENSIONS	LSANTESS	2014/07/18	FLAG FEMALE TERMINAL FOR 6.3X0.8 TABS WIRE RANGE 1.5-3.0 MMQ	
			MATERIAL NO.	DOCUMENT NO.	SHEET NO.	
			94030-795x	SD-94030-795	1 OF 1	
			THIS DRAWING CONTAINS INFORMATION THAT IS PROPRIETARY TO MOLEX INCORPORATED AND SHOULD NOT BE USED WITHOUT WRITTEN PERMISSION			