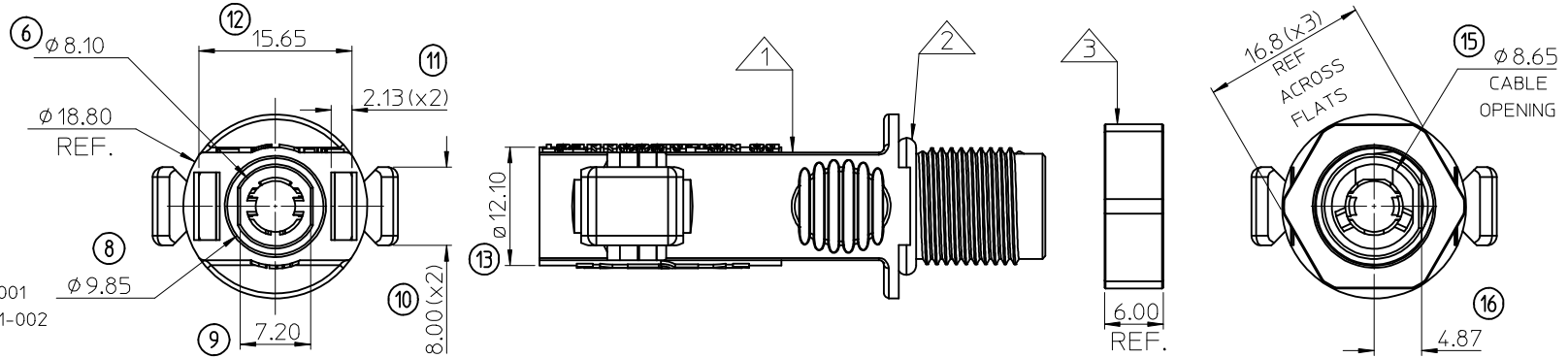


CONTACT USED: SEE SD-93302-001



- NOTES:
1. MATERIALS: SEE TABLE
 2. FINISHES: SEE TABLE
 3. PRODUCT SPECIFICATION: PS-93301-001
 4. PACKAGING SPECIFICATION: PK-93301-002
 5. MATES WITH: 130244-1201/1203
 6. ASSEMBLY IS ROHS COMPLIANT
 7. ASSEMBLY IS DELIVERED WITH PANEL NUT LOOSE IN BAG.
 8. FOR DUSTCAPS PLEASE REFER TO SD-93301-009

LAST INSPECTION No: 18
 REMOVED INSPECTION No'S: (7) (14)

| ITEM | QTY | DESCRIPTION | MATERIAL | FINISH |
|------|-----|-------------------|-------------------|-----------|
| 3 | 1 | PANEL NUT | POLYCARBONATE(PC) | BLACK |
| 2 | 1 | O-RING PANEL SEAL | SILICONE | DARK GREY |
| 1 | 1 | PIN HOUSING | POLYCARBONATE(PC) | BLACK |

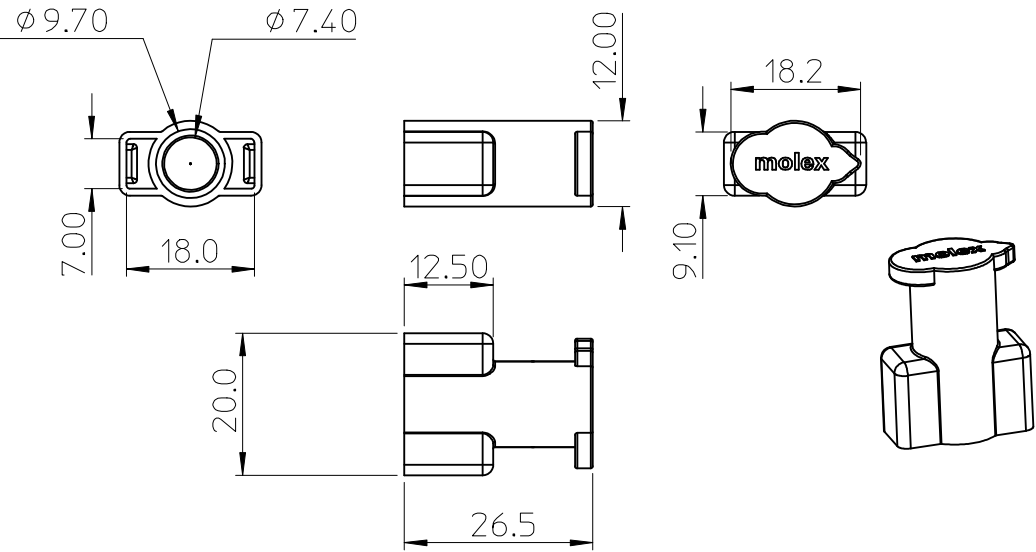
| | | |
|------------------|---------------------|------------|
| F.P.I.R. UPDATES | EC NO: IPG2012-0274 | 2011/09/20 |
| DRW:DBYRNES | 2011/09/20 | |
| CHKD:SMCGREEVY | 2012/11/29 | |
| APPR:STORIFFIN | 2013/03/05 | |

| QUALITY SYMBOLS | DESCRIPTION |
|-----------------|-------------|
| ▽=0 | |
| ▽=0 | |

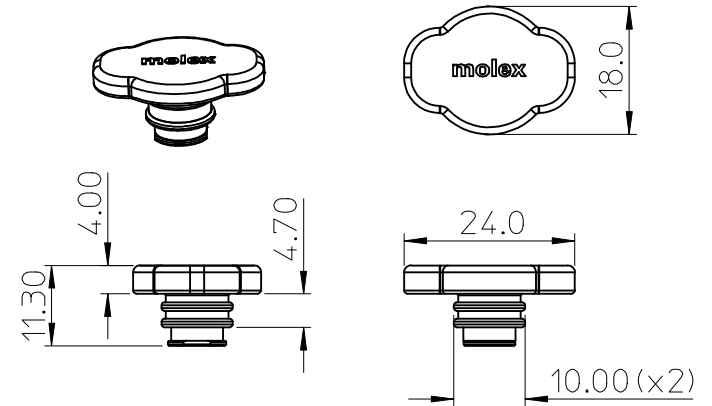
| GENERAL TOLERANCES (UNLESS SPECIFIED) | |
|---------------------------------------|-------|
| mm | INCH |
| 4 PLACES ± --- | ± --- |
| 3 PLACES ± --- | ± --- |
| 2 PLACES ± 0.15 | ± --- |
| 1 PLACE ± 0.25 | ± --- |
| ANGULAR ± 2 ° | |

| | | | |
|-----------------|--------------|---|------------------------|
| DIMENSION STYLE | SCALE | DESIGN UNITS | THIRD ANGLE PROJECTION |
| MM ONLY | 2:1 | METRIC | |
| DRAWN BY | DATE | TITLE | |
| DBYRNES | 2011/06/22 | SOLARSPEC PANEL MOUNT DC PIN ASSY CONNECTOR | |
| CHECKED BY | DATE | 14 - 10 AWG | |
| SMCGREEVY | 2011/08/16 | | |
| APPROVED BY | DATE | MOLEX INCORPORATED | |
| EFOLAN | 2011/08/26 | | |
| MATERIAL NO. | DOCUMENT NO. | SHEET NO. | |
| 933010201 | SD-93301-003 | 1 OF 1 | |

93301-9001



93301-9002



NOTE'S

1. MATERIAL - SILICONE NE-7150
2. PARTS MUST BE RoHS COMPLIANT.
3. SUITABLE FOR USE WITH MOLEX SERIES 93301 & 130244 SOLARSPEC CONNECTORS.
4. PACKAGING SPECIFICATION: SEE CHART.

| PART No. | DESCRIPTION | PKG SPEC |
|------------|-------------------------|--------------|
| 93301-9001 | FEMALE SOCKET DUST CAP. | PK-93301-011 |
| 93301-9002 | MALE PIN DUSTCAP. | PK-93301-012 |

| | | | | | | | | | |
|---|------------------|--|--|---|--|--------------|---|------------------------|------------------------|
| ORIGINAL RELEASE EC NO: IPG2013-0910 DRWN:DBYRNES 2012/09/18 CHKD:CKNOWLES 2012/12/14 APPR:STGRIFFIN 2012/12/14 | DESCRIPTION A | QUALITY SYMBOLS | GENERAL TOLERANCES (UNLESS SPECIFIED) | | DIMENSION STYLE MM ONLY | | SCALE 1:1 | DESIGN UNITS METRIC | THIRD ANGLE PROJECTION |
| | | ▽=0 ◻=0 | mm INCH 4 PLACES ± --- ± --- 3 PLACES ± --- ± --- 2 PLACES ± 0.25 ± --- 1 PLACE ± 0.38 ± --- 0 PLACE ± --- ± --- | DRAWN BY DATE DBYRNES 2012/09/18 CHECKED BY DATE CKNOWLES 2012/12/14 APPROVED BY DATE STGRIFFIN 2012/12/14 | TITLE 93301 SERIES SOLARSPEC DUSTCAPS | | | | |
| | | ANGULAR ± 2 ° | | MATERIAL NO. | DOCUMENT NO. | | SHEET NO. | | |
| | | DRAFT WHERE APPLICABLE MUST REMAIN WITHIN DIMENSIONS | | SEE CHART | | SD-93301-009 | 1 OF 1 | | |
| | | SIZE | | | | | THIS DRAWING CONTAINS INFORMATION THAT IS PROPRIETARY TO MOLEX INCORPORATED AND SHOULD NOT BE USED WITHOUT WRITTEN PERMISSION | | |