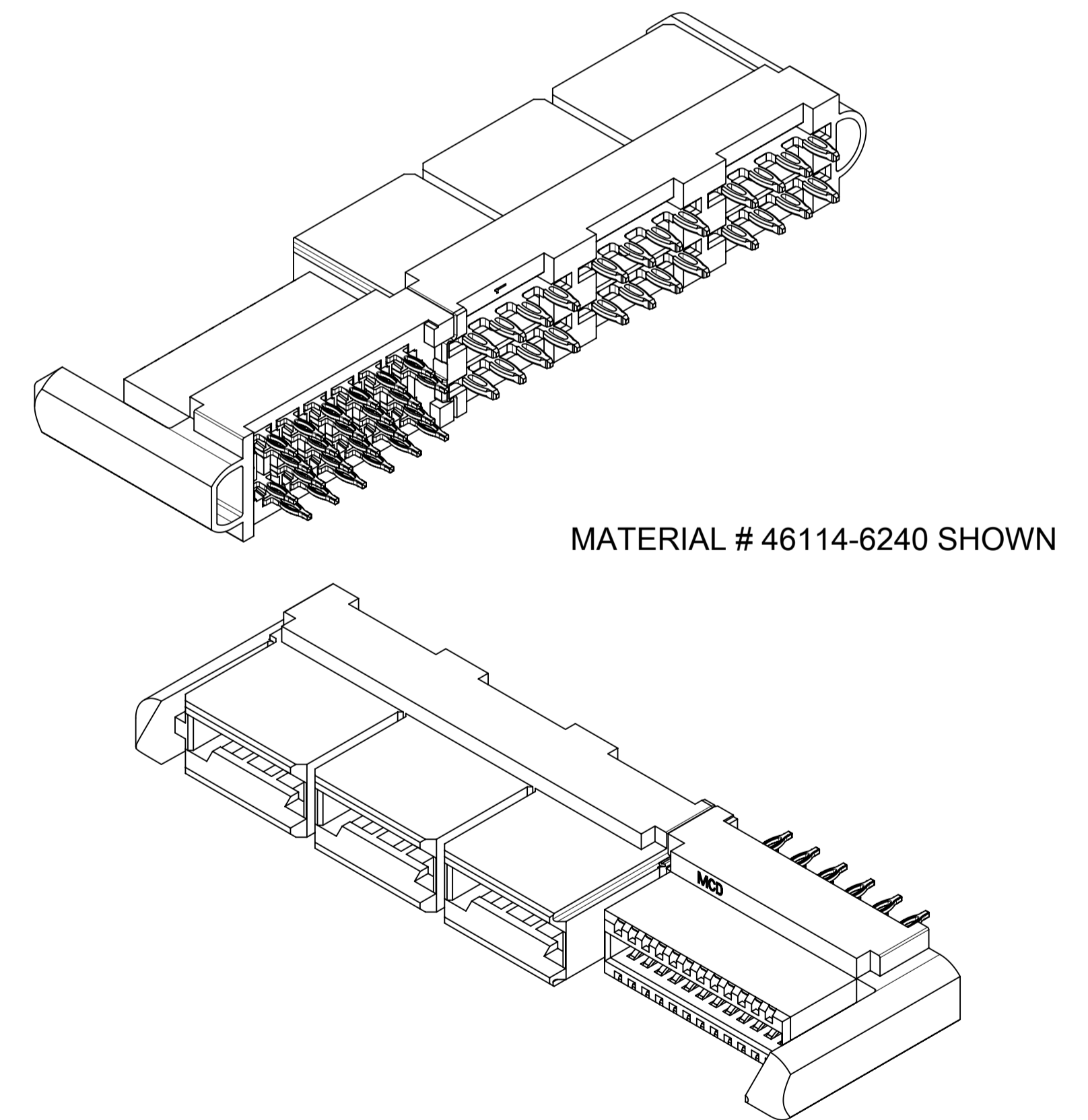


PCB COMPONENT SIDE
par2-of-top2
SCALE 3:1

NO OF SIGNALS	MATERIAL NUMBER	COMPLIANT PIN PLATING	DIM A	DIM B	DIM C
12	46114-6120	TIN	53.01/2.087	53.51/2.107	5.45/.215
16	46114-6160	TIN	55.55/2.187	56.05/2.207	
20	46114-6200	TIN	58.09/2.287	58.59/2.307	
24	46114-6240	TIN	60.63/2.387	61.13/2.407	
28	46114-6280	TIN	63.17/2.487	63.67/2.507	
32	46114-6320	TIN	65.71/2.587	66.21/2.607	
36	46114-6360	TIN	68.25/2.687	68.75/2.707	
40	46114-6400	TIN	70.79/2.787	71.29/2.807	

NOTES:

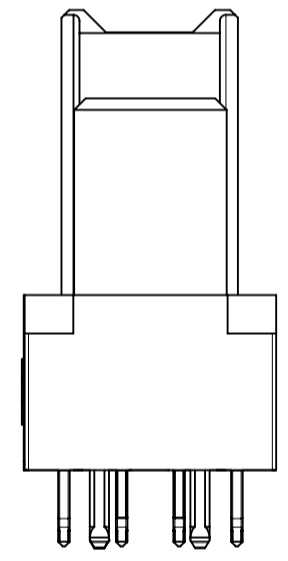
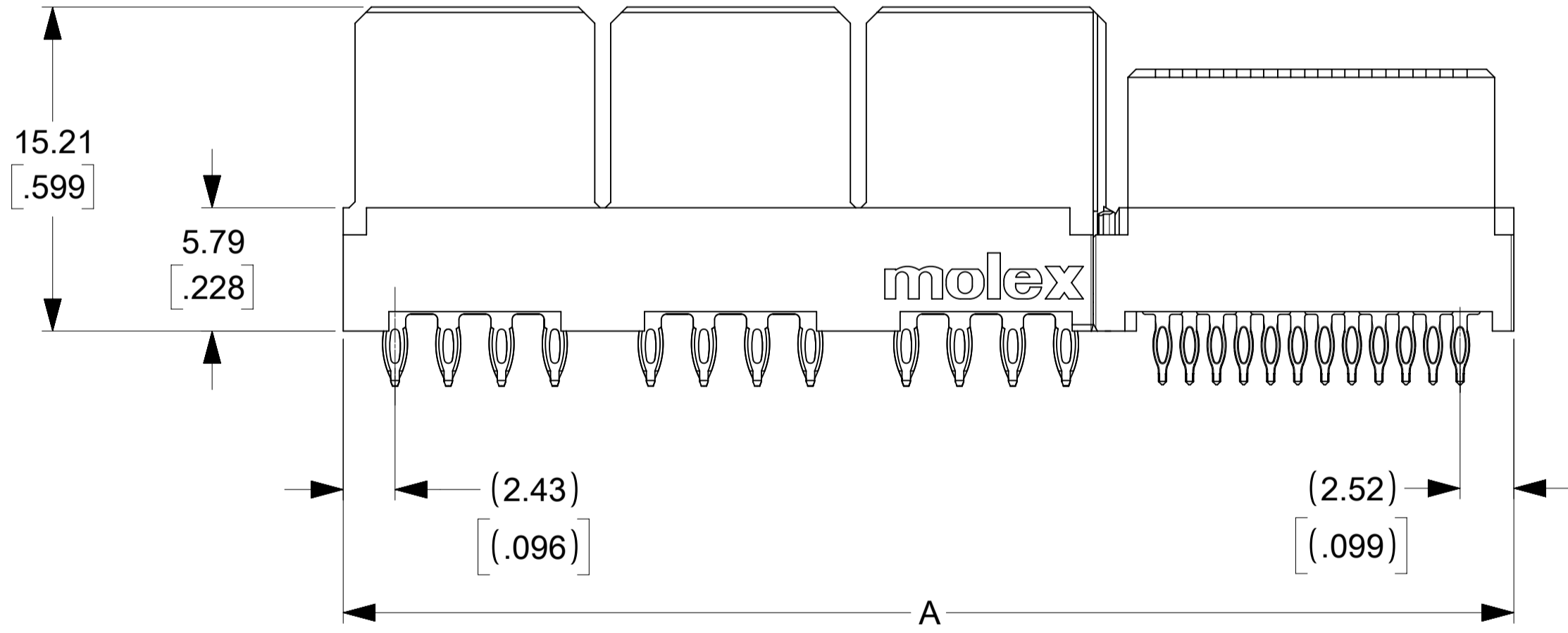
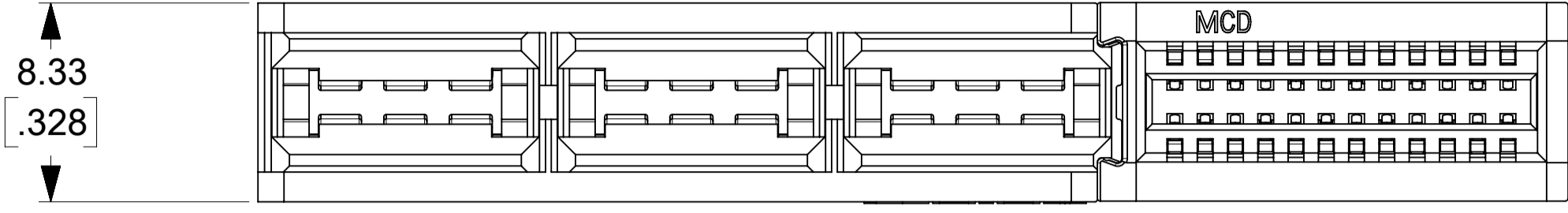
- MATERIAL: HOUSING: LCP, 94-VO, COLOR: BLACK.
POWER CONTACTS: COPPER ALLOY.
SIGNAL CONTACTS: MODIFIED TIN BRASS.
- FINISH: SELECT GOLD - 0.75 μM/30 μ INCHES
SELECTED TIN - 2.50 μM/100 μ INCHES
BOTH OVER NICKEL - 1.25 μM/50 μ INCHES
- POWER TERMINALS ARE LUBRICATED IN CONTACT AREA.
- PARTS ARE RoHS COMPLIANT.
- MATES TO MOLEX P/N 45985-SERIES OR EDGE CARD 1.57/.062.
- PRODUCT SPECIFICATION PS-46114-001.
- PACKAGING: PER PK-46114-003.



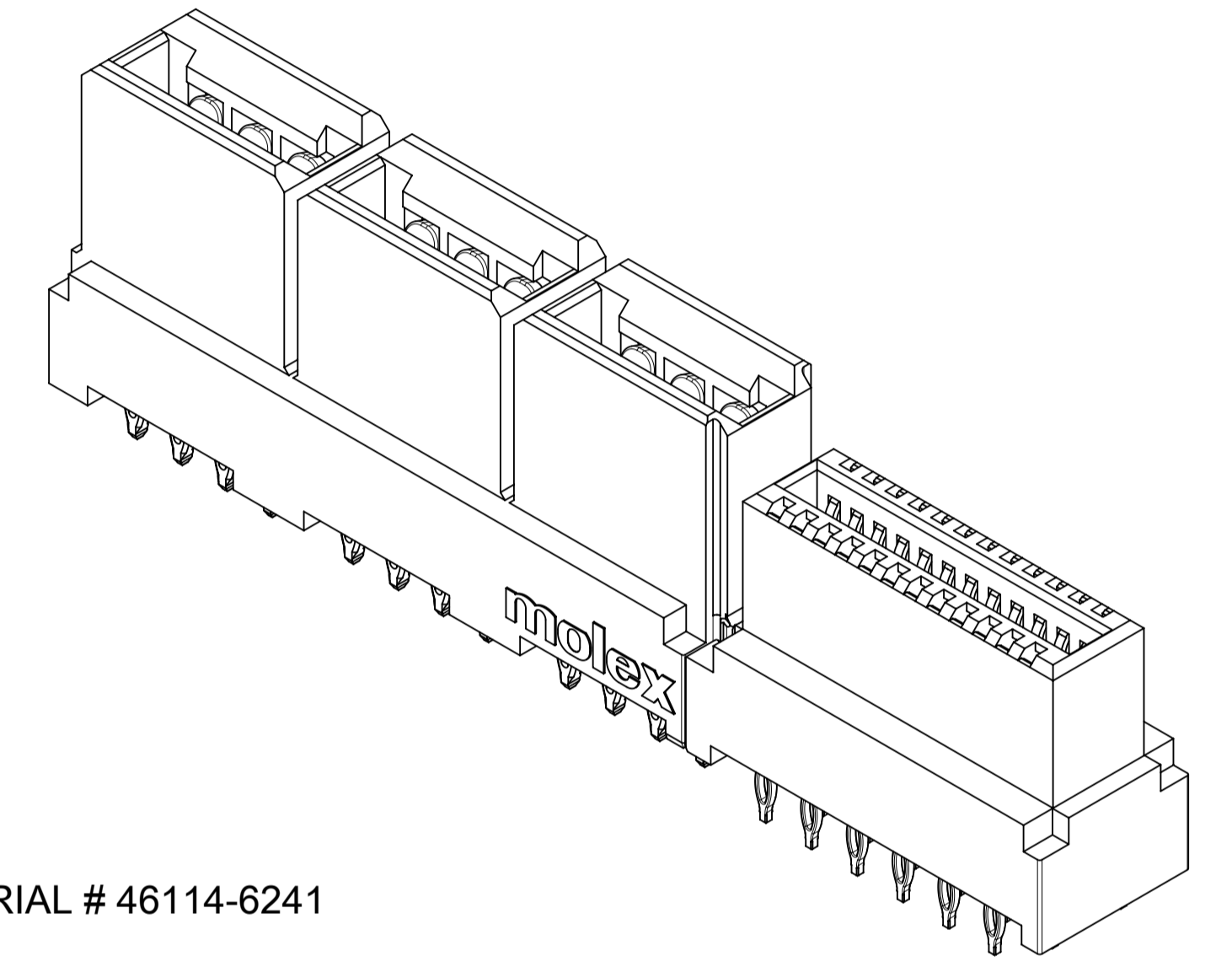
THIS DRAWING CONTAINS INFORMATION THAT IS PROPRIETARY TO MOLEX ELECTRONIC TECHNOLOGIES, LLC AND SHOULD NOT BE USED WITHOUT WRITTEN PERMISSION

ADD 459854572 EC NO. 121352 DRWN: NVELUSAMY CHKD: JZENG REV APPR: KHLIM 2017/10/26	GENERAL TOLERANCES (UNLESS SPECIFIED) MM [INCH]		DIMENSION UNITS SCALE 3:1				
	4 PLACES ± ± 3 PLACES ± ± 0.01 2 PLACES ± 0.25 ± 1 PLACES ± ± 0 PLACES ± ±		DRWN BY DATE MKARADIMAS 2005/11/28 CHK'D BY DATE APATEL 10/13/06 APPR BY DATE JCOMERCI 2009/12/03			LPH VERTICAL RECEPTACLE ASSEMBLY 6 CIRCUIT PWR CONNECTOR, PRESS FIT	
	ANGULAR TOL ± 0.5		DRAWING SIZE THRD ANGLE PROJECTION A1				PRODUCT CUSTOMER DRAWING
	DRAFT WHERE APPLICABLE MUST REMAIN WITHIN DIMENSIONS		SERIES MATERIAL NUMBER CUSTOMER 46114 SEE CHART GENERAL MARKET				DOCUMENT NUMBER DOC TYPE DOC PART SHEET NUMBER SD-46114-600 PSD 001 1 OF 3

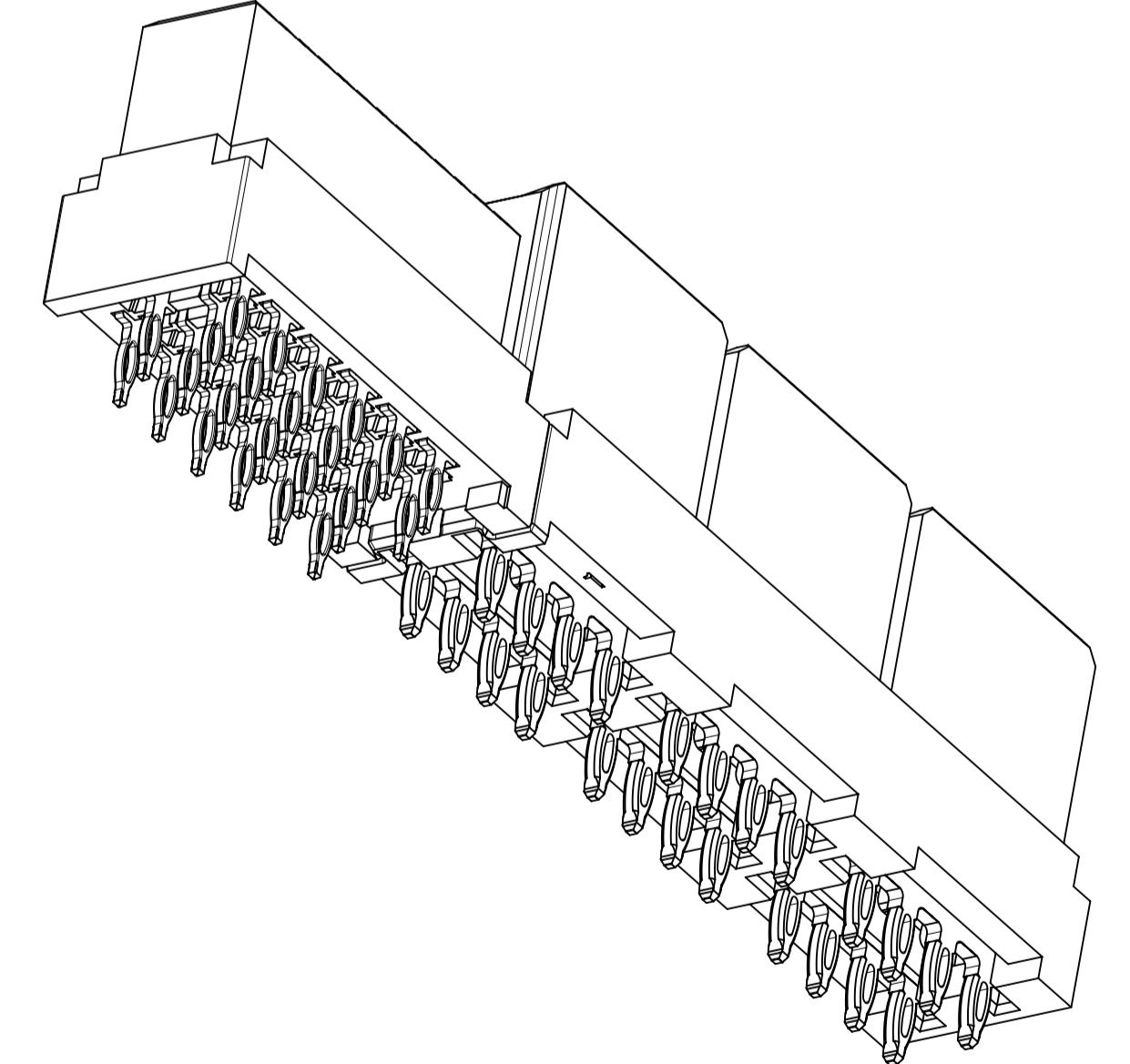
RELEASE STATUS P1 RELEASE DATE 26.10.2017 07:45:35



NO OF SIGNALS	MATERIAL NUMBER	COMPLIANT PIN PLATING	DIM A	DIM B	DIM C
12	46114-6121	TIN	47.34/1.864	47.84/1.883	2.69/1.06
16	46114-6161	TIN	49.88/1.964	50.38/1.983	
20	46114-6201	TIN	52.42/2.064	52.92/2.083	
24	46114-6241	TIN	54.96/2.164	55.46/2.183	
28	46114-6281	TIN	57.50/2.264	58.00/2.283	
32	46114-6321	TIN	60.04/2.364	60.54/2.383	
36	46114-6361	TIN	62.58/2.464	63.08/2.483	
40	46114-6401	TIN	65.12/2.564	65.62/2.583	



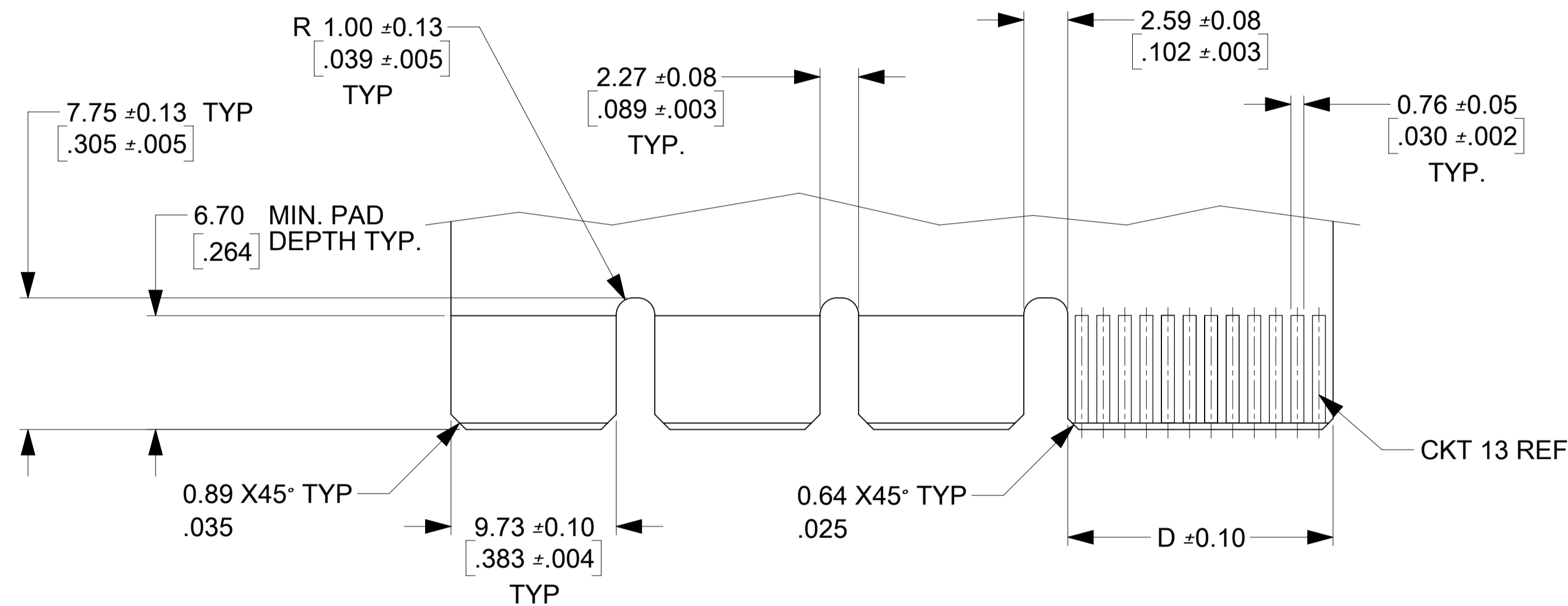
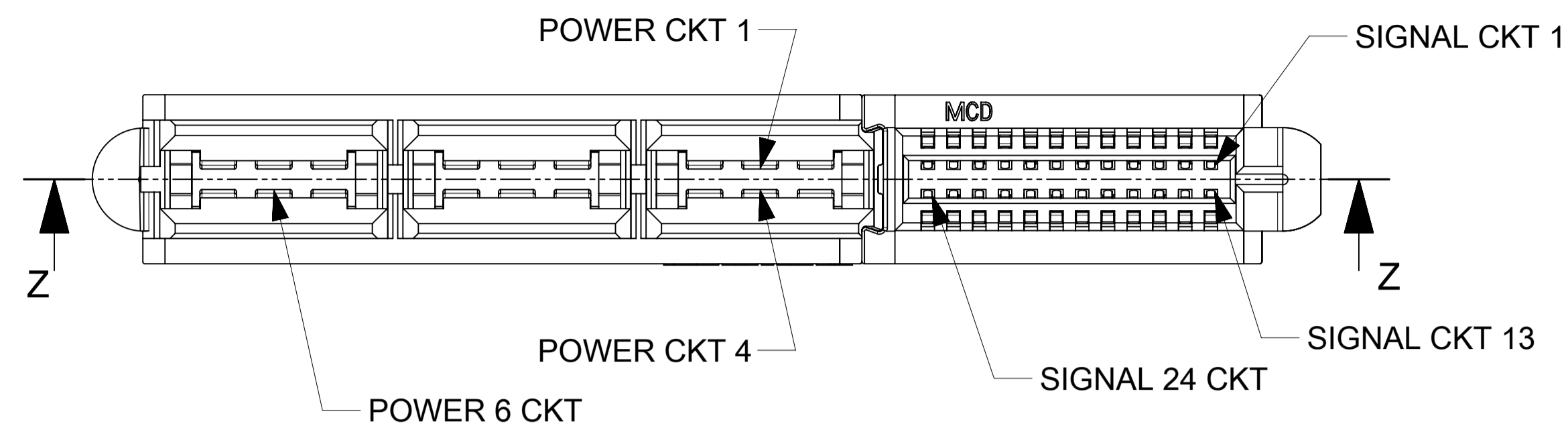
MATERIAL # 46114-6241



THIS DRAWING CONTAINS INFORMATION THAT IS PROPRIETARY TO MOLEX ELECTRONIC TECHNOLOGIES, LLC AND SHOULD NOT BE USED WITHOUT WRITTEN PERMISSION

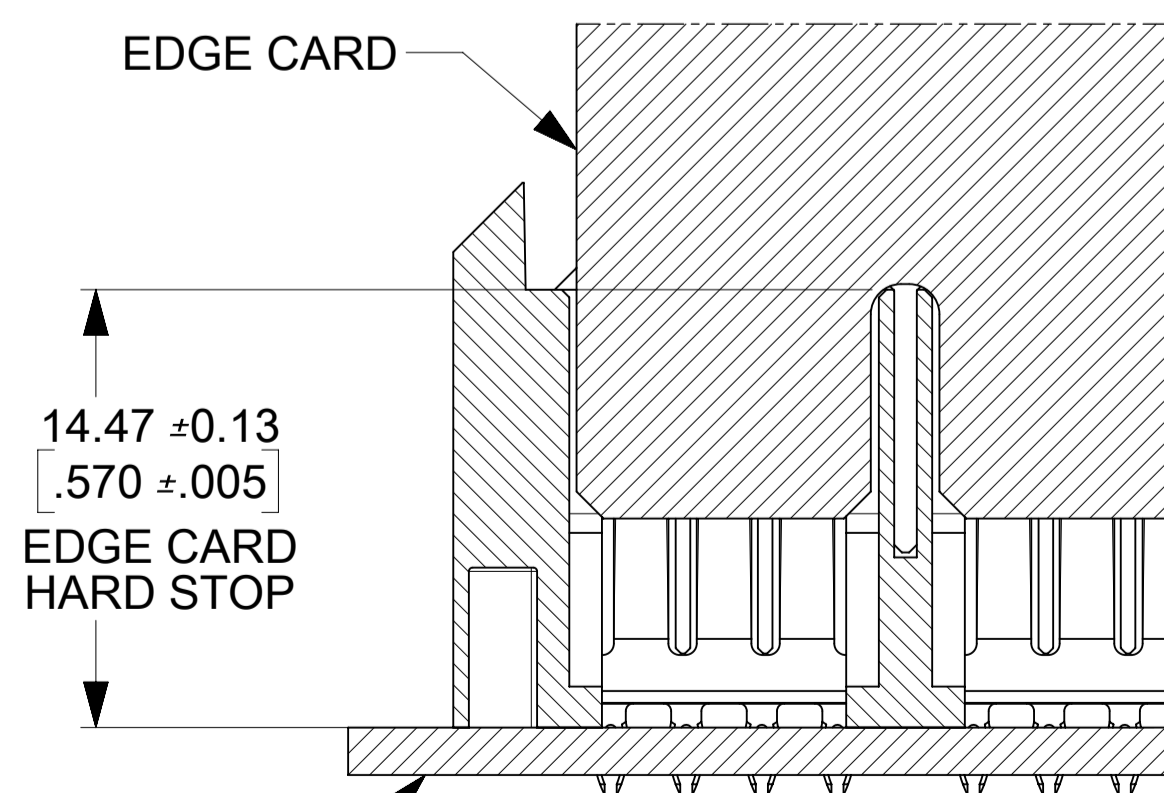
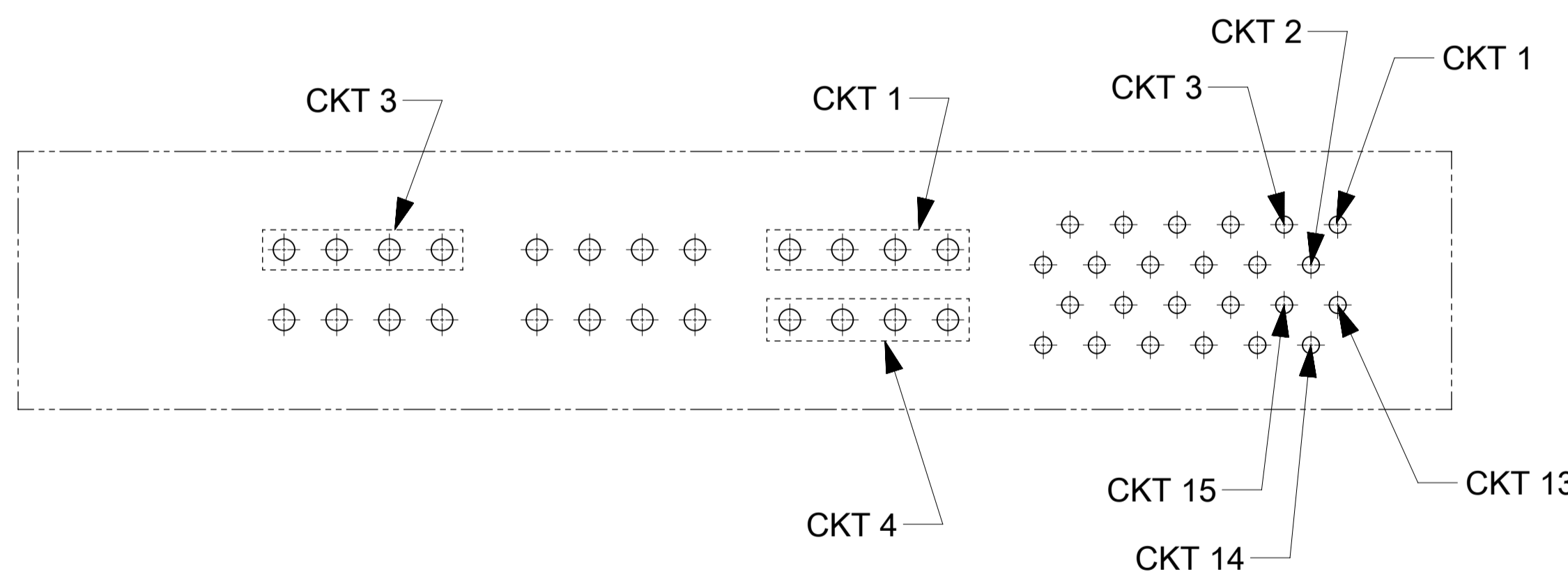
ADD 459854572 EC NO. 121352 DRWN: NVELUSAMY CHKD: JZENG REV: APPR: KHLIM 2017/08/21 2017/09/05 2017/10/26	GENERAL TOLERANCES (UNLESS SPECIFIED)		DIMENSION UNITS: MM [INCH]	SCALE: 4:1				
	4 PLACES ± ± 3 PLACES ± ± 0.01 2 PLACES ± 0.25 ± 1 PLACES ± ± 0 PLACES ± ±		DRWN BY: MKARADIMAS DATE: 2005/11/28	CHK'D BY: APATEL DATE: 10/13/06		LPH VERTICAL RECEPTACLE ASSEMBLY 6 CIRCUIT PWR CONNECTOR, PRESS FIT		
	ANGULAR TOL ± 0.5		APPR BY: JCOMERCI DATE: 2009/12/03	PRODUCT CUSTOMER DRAWING				
	DRAFT WHERE APPLICABLE MUST REMAIN WITHIN DIMENSIONS		DRAWING SIZE: A1	THIRD ANGLE PROJECTION		SERIES: 46114 MATERIAL NUMBER: SEE CHART CUSTOMER: GENERAL MARKET		
RELEASE STATUS: P1	RELEASE DATE: 26.10.2017	07:45:35	DOCUMENT NUMBER: SD-46114-600			DOC TYPE: PSD	DOC PART: 001	SHEET NUMBER: 2 OF 3

NO OF SIGNAL	DIM D
12	8.00/.315
16	10.54/.415
20	13.08/.515
24	15.62/.615
28	18.16/.715
32	20.70/.815
36	23.24/.915
40	25.78/1.015



RECOMMENDED EDGE CARD LAYOUT
EDGE CARD THICKNESS: 1.57/.062 ± 0.15/.006
PLATING: GOLD 30 ± INCHES MIN.
OVER 150 ± INCHES NICKEL.

0.38 X45° TYP
.015



SECTION Z-Z
SCALE 4:1

THIS DRAWING CONTAINS INFORMATION THAT IS PROPRIETARY TO MOLEX ELECTRONIC TECHNOLOGIES, LLC AND SHOULD NOT BE USED WITHOUT WRITTEN PERMISSION

ADD 459854572 EC NO. 121352 DRWN: NVELUSAMY CHKD: JZENG REV APPR: KHLIM 2017/08/21 2017/09/05 2017/10/26	GENERAL TOLERANCES (UNLESS SPECIFIED)		DIMENSION UNITS	SCALE		
			MM [INCH]	4:1		
	4 PLACES	±	±	DRWN BY		DATE
	3 PLACES	±	± 0.01	MKARADIMAS		2005/11/28
	2 PLACES	±	± 0.25	CHK'D BY		DATE
1 PLACES	±	±	APATEL	10/13/06		
0 PLACES	±	±	APPR BY	DATE		
ANGULAR TOL ± 0.5		DRAWING SIZE		THIRD ANGLE PROJECTION	JCOMERCI	
DRAFT WHERE APPLICABLE MUST REMAIN WITHIN DIMENSIONS		A1		2009/12/03		
				SERIES	MATERIAL NUMBER	
				46114	SEE CHART	
				CUSTOMER		
				GENERAL MARKET		
				DOCUMENT NUMBER	DOC TYPE	
				SD-46114-600	PSD	
				DOC PART	SHEET NUMBER	
				001	3 OF 3	