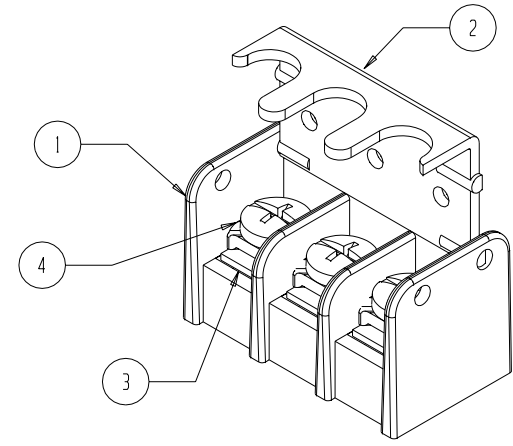
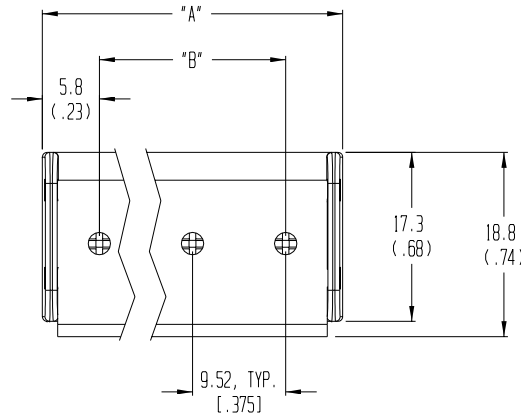
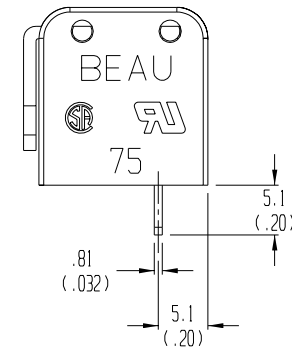
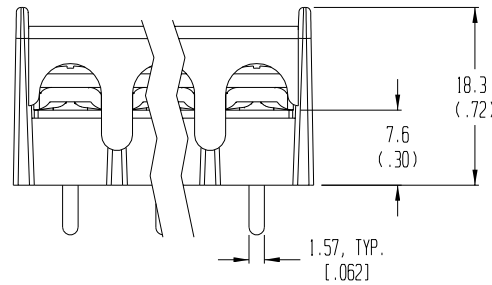


MATERIAL NO.	NUMBER OF CIRCUITS "XX"	DIM "B"	DIM "A"
387590278	02	9.53 (.375)	21.1 (.83)
387590281	03	19.05 (.750)	30.5 (1.20)
387590284	04	28.58 (1.125)	40.1 (1.58)
397590287	05	38.10 (1.500)	49.5 (1.95)
387590289	06	47.63 (1.875)	59.2 (2.33)
	07	57.15 (2.250)	68.6 (2.70)
	08	66.68 (2.625)	78.2 (3.08)
	09	76.20 (3.000)	87.6 (3.45)
	10	85.73 (3.375)	97.3 (3.83)
	11	95.25 (3.750)	106.7 (4.20)
387590298	12	104.78 (4.125)	116.3 (4.58)
	13	114.30 (4.500)	125.7 (4.95)
	14	123.83 (4.875)	135.4 (5.33)
	15	133.35 (5.250)	144.8 (5.70)
	16	142.88 (5.625)	154.4 (6.08)



3 CIRCUIT SHOWN



NOTES:

1. MATERIAL: SEE TABLE
2. FINISHES: SEE TABLE
3. PRODUCT SPECIFICATION: NOT REQUIRED
4. PACKAGING: NOT REQUIRED
5. MATES WITH: NONE

ITEM	QTY.	DESCRIPTION	MATERIAL	FINISH
4	XX	SCREW	STEEL	ZN, CLEAR CHROMATE
3	XX	TERMINAL	BRASS	TIN
2	1	COVER	THERMOPLASTIC	BLACK
1	1	BARRIER	THERMOPLASTIC	BLACK

RELEASED RK EC NO. DRAWN: CHK'K: APPR: A	DESCRIPTION MAJOR = CRITICAL C = SPC S =	GENERAL TOLERANCES: (UNLESS SPECIFIED)		SCALE 2:1	DESIGN UNITS <input type="checkbox"/> mm <input checked="" type="checkbox"/> INCH	THIRD ANGLE PROJECTION	PROJECT NO. - - - DIMENSIONS: <input checked="" type="checkbox"/> mm <input type="checkbox"/> INCH <input type="checkbox"/> mm ONLY <input type="checkbox"/> INCH <input type="checkbox"/> mm	SHT REV
		4 PLACES ±.0015 3 PLACES ±.038 ±.005 2 PLACES ±.13 ±.01 1 PLACE ±.3	DRAWN BY & DATE R. KEMP 6-13-03 CHECKED BY & DATE APPROVED BY & DATE	TITLE: SR BTS ASY, PC, CS, W/ HINGED COVER				
		ANGULAR: ±2° DRAFT WHERE APPLICABLE MUST REMAIN WITHIN DIMENSIONS	CAD FILENAME 755XX-C-H-50	MATERIAL NO. SEE CHART	DRAWING NO. SD-38759-002	SHEET NO. 1 OF 1		
		THIS DRAWING CONTAINS INFORMATION THAT IS PROPRIETARY TO MOLEX INCORPORATED AND SHOULD NOT BE USED WITHOUT WRITTEN PERMISSION.					SIZE B	