

| TABLE OF CONTENTS | |
|-------------------|-------------------------------|
| SHEET NO. | SHEET DESCRIPTION |
| 1 | NOTES AND BOM |
| 2 | CONFIGURATIONS |
| 3-4 | KEY CONFIGURATIONS |
| 5 | RECEPTACLE CONNECTOR ASSEMBLY |
| 6 | BACKSHELL NOTES |
| 7 | BACKSHELL |
| 8 | BACKSHELL CONFIGURATIONS |

NOTES: VALID UNLESS OTHERWISE SPECIFIED

1. GENERAL:
a. APPLICATION SPECIFICATION SEE: AS-33472-100
-CONTAINS: PRODUCT INTRODUCTION, PRODUCT SUMMARY, CONNECTOR ASSEMBLY, PACKAGING INFORMATION, CONNECTOR MATING, SERVICE INSTRUCTIONS, ELECTRICAL CONTINUITY CHECKING, CRIMPING, AND TROUBLESHOOTING.
-DESIGNED TO MATE WITH DEVICE OR CONNECTOR AS SPECIFIED IN THE MATING INTERFACE/CONNECTOR DRAWINGS CHART.
*DENOTES DRAWINGS THAT CAN BE ACCESSED AT <<http://ewcap.uscarteams.org/>>.
-ASSEMBLY SHIPPED WITH PLR IN PRE-LOCK POSITION (SEE PLR PRE-LOCK VIEW SHEET 5).

b. PRODUCT SPECIFICATION SEE:
-STANDARD CONFIGURATION: PS-33471-000
-UL V0 CONFIGURATION: PS-160105-0001
CONTAINS: PRODUCT INTRODUCTION, PRODUCT SUMMARY, RATINGS (CURRENT, TEMPERATURE, SEALING, AND FLAMMABILITY), TERMINALS, WIRE DIAMETER RANGE, PRODUCT VALIDATION, AND PRODUCT DEVIATIONS.

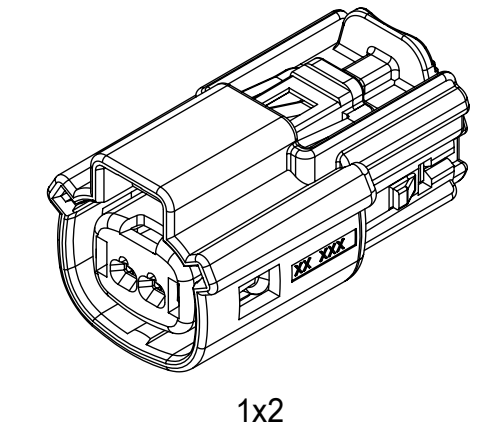
c. PACKAGING SPECIFICATION PER MOLEX DRAWING: SEE PACKAGING CHART
d. PARTS MUST BE IN COMPLIANCE TO MOLEX CHEMICAL SUBSTANCES FOR PRODUCTS AND PACKAGING SPECIFICATION: QEHS-699000-301
e. DATA MUST BE SUBMITTED UNDER THE MOLEX PART NUMBER TO IMDS (COMPANY ID#13255)

2. DESIGN - MATERIALS:
a. FOR BILL OF MATERIALS SEE:
-STANDARD CONFIGURATION SD-33471-0002
-UL V0 CONFIGURATION SD-160105-0002

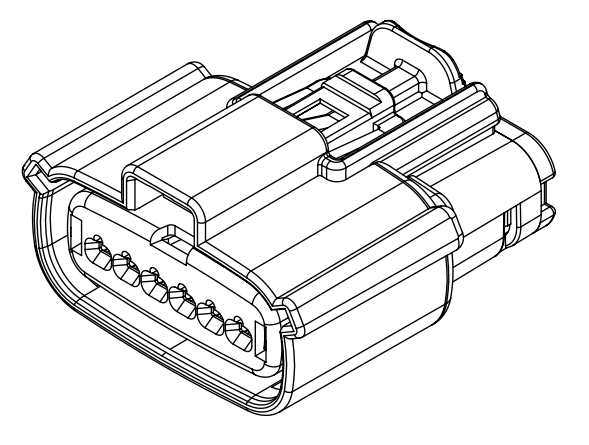
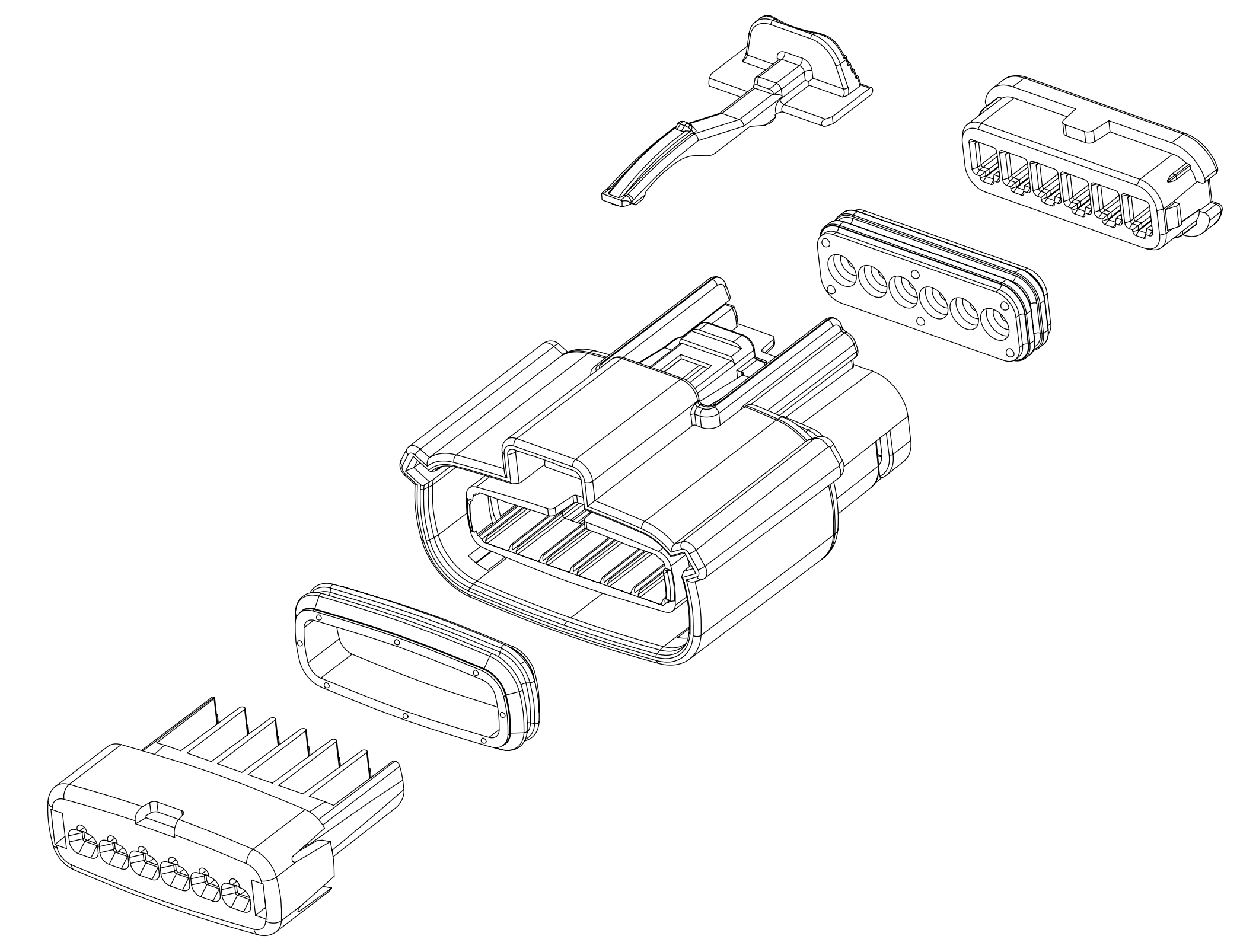
3. DESIGN - GEOMETRY:
a. THE 3-D CAD DATA IS BASIC (WITHOUT TOLERANCE) AND MASTER FOR THIS PART WITH THE EXCEPTION OF UNDERLINED DIMENSIONS. DIMENSIONAL INFORMATION NOT SHOWN ON THIS DRAWING IS DEFINED BY THE DATA FILE AT ITS LATEST REVISION.
b. GEOMETRIC DIMENSIONS AND TOLERANCES PER ASME Y14.5M-2009
c. EDGES AND UNDIMENSIONED DETAILS PER ISO13715
d. CORNERS SHOWN AS SHARP TO BE R 0.2 MAX.
e. LETTERING SHALL BE 0.15 MAX RAISED IN 0.25 MAX RECESS PAD. THIS INCLUDES RECYCLING CODE, CAVITY ID, VENDOR IDENTIFICATION, AND CUSTOMER MATERIAL NUMBER.
f. VISUAL DEFECTS SHALL MEET COSMETIC STANDARD PS-45499-002 (Class B).
g. LASER MARKING:
1. PART NUMBER
2. DAY OF THE YEAR
3. SHIFT
4. YEAR
FOR ADDITIONAL INFORMATION SEE SECTION 5 UNDER PROCEDURES IN ES-34735-008.

| PACKAGING | |
|-------------|--------------|
| DESCRIPTION | DRAWING NO. |
| 1X2 | PK-31300-635 |
| | |
| | |
| | |
| | |
| 1X6 | PK-31300-903 |

| MATING INTERFACE/CONNECTOR DRAWINGS | | |
|-------------------------------------|----------------------|---------------|
| DESCRIPTION | INTERFACE DEFINITION | MOLEX INLINE |
| 1X2 | *150-S-002-1-Z05 | SD-33481-0001 |
| | | |
| | | |
| | | |
| 1X6 | *150-S-006-1-Z03 | SD-33481-0001 |



1x2



1x6

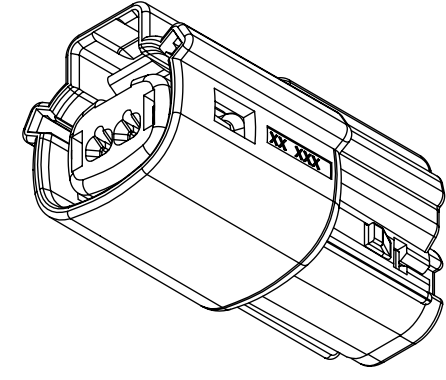
| INSPECTION NUMBER LOG | |
|-----------------------|---------------------------------|
| LAST NUMBER: 11 | ADDED: 11 |
| REMOVED: | REV |
| A1 | UPDATED THE DRAWING FRAME |
| A | MINOR GEOMETRY CHANGE FOR UL V0 |
| 2 | UPDATE VIEWSETS |
| 1 | INITIAL RELEASE |
| REV | REV DESCRIPTION |

| | | | | | |
|--|---|----------------------------|---------------------------|-----------------|--|
| FUNCTIONAL SYMBOLS FA = 0 FC = 0 FD = 0 | THIS DRAWING CONTAINS INFORMATION THAT IS PROPRIETARY TO MOLEX ELECTRONIC TECHNOLOGIES, LLC AND SHOULD NOT BE USED WITHOUT WRITTEN PERMISSION | | CURRENT REV DESC: | | |
| | DIMENSION UNITS mm | SCALE 1.5:1 | EC NO: 643941 | | |
| DIVISIONAL SYMBOLS | GENERAL TOLERANCES (UNLESS SPECIFIED) | | DRWN: XLDONG03 2020/08/21 | | MX150 RCPT SINGLE ROW SEALED ASSY MAT SEAL PRODUCT CUSTOMER DRAWING |
| | ANGULAR TOL ± 1.0° | | CHK'D: JDENG02 2020/08/26 | | |
| | 4 PLACES ± | APPR: JDENG02 2020/08/26 | | DOCUMENT NUMBER | |
| | 3 PLACES ± | INITIAL REVISION: | | DOC TYPE | |
| | 2 PLACES ± 0.1 | DRWN: APROFFITT 2015/11/04 | | DOC PART | |
| 1 PLACE ± 0.2 | APPR: KDEKOSHI 2016/06/14 | | REVISION | | |
| 0 PLACES ± | DRAFT WHERE APPLICABLE MUST REMAIN WITHIN DIMENSIONS | | THIRD ANGLE PROJECTION | | SD-33471-0001 |
| DRAWING | | SERIES | MATERIAL NUMBER | CUSTOMER | SHEET NUMBER |
| D-SIZE | | 33471 | SEE NOTE 2a | GENERAL MARKET | 1 OF 8 |

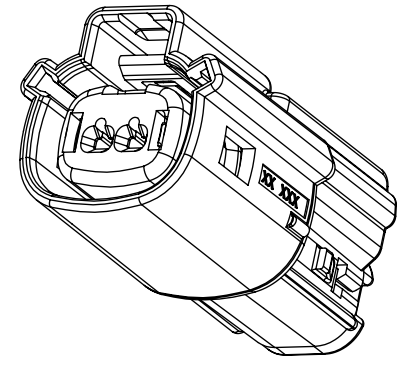
| | | | | |
|-----------------|----|--------------|------------|----------|
| DOCUMENT STATUS | P1 | RELEASE DATE | 2020/08/26 | 07:23:52 |
|-----------------|----|--------------|------------|----------|

SHEET DESCRIPTION

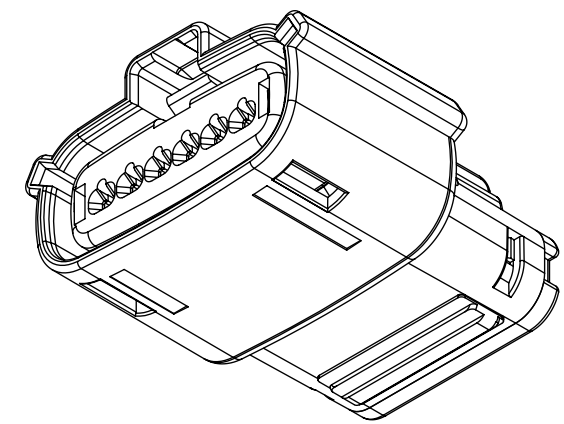
CONFIGURATIONS



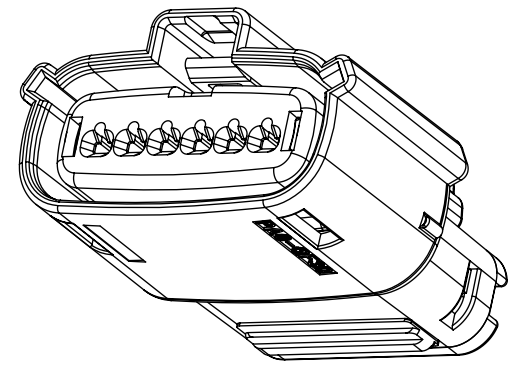
1x2 - STD



1x2 - UL V0*



1x6 - STD



1x6 - UL V0*

*MINOR GEOMETRY DIFFERENCE THAN STANDARD CONFIGURATION
SEE NOTES 1 & 2 FOR MORE INFORMATION

| | | | |
|--|---|------------------------|---|
| FUNCTIONAL SYMBOLS | THIS DRAWING CONTAINS INFORMATION THAT IS PROPRIETARY TO MOLEX ELECTRONIC TECHNOLOGIES, LLC AND SHOULD NOT BE USED WITHOUT WRITTEN PERMISSION | | |
| | DIMENSION UNITS | SCALE | CURRENT REV DESC: |
| $\nabla_A = 0$ | mm | 1.5:1 | EC NO: 643941 DRWN: XLDONG03 2020/08/21 CHK'D: JDENG02 2020/08/26 APPR: JDENG02 2020/08/26 INITIAL REVISION: DRWN: APROFFITT 2015/11/04 APPR: KDEKOSKI 2016/06/14 |
| $\nabla_C = 0$ | GENERAL TOLERANCES (UNLESS SPECIFIED) | | |
| $\nabla_D = 0$ | ANGULAR TOL $\pm 1.0^\circ$ | | |
| DIVISIONAL SYMBOLS | 4 PLACES | \pm | |
| | 3 PLACES | \pm | |
| | 2 PLACES | ± 0.1 | |
| | 1 PLACE | ± 0.2 | |
| | 0 PLACES | \pm | |
| DRAFT WHERE APPLICABLE MUST REMAIN WITHIN DIMENSIONS | | THIRD ANGLE PROJECTION | DRAWING: D-SIZE SERIES: 33471 |
| DOCUMENT STATUS | | RELEASE DATE | DOCUMENT NUMBER: SD-33471-0001 DOC TYPE: PSD DOC PART: 001 REVISION: A1 |
| P1 | 2020/08/26 | 07:23:52 | MATERIAL NUMBER: SEE NOTE 2a CUSTOMER: GENERAL MARKET SHEET NUMBER: 2 OF 8 |

molex

MX150 RCPT
SINGLE ROW SEALED ASSY MAT SEAL

PRODUCT CUSTOMER DRAWING

SD-33471-0001

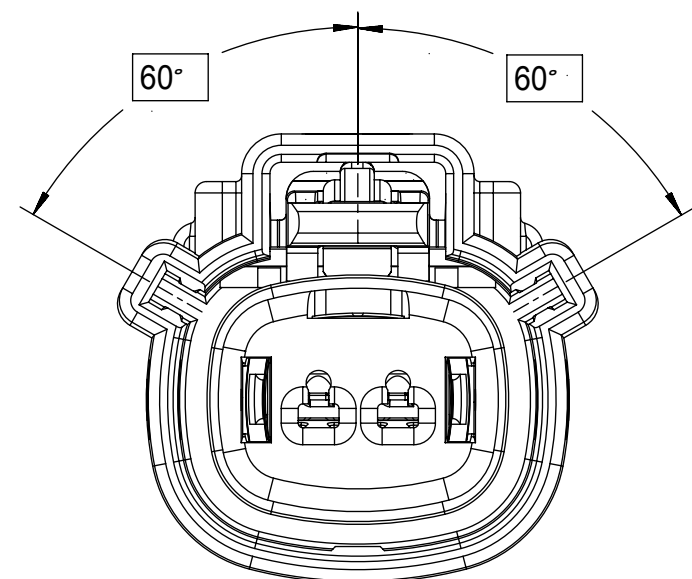
PSD 001 A1

SEE NOTE 2a GENERAL MARKET 2 OF 8

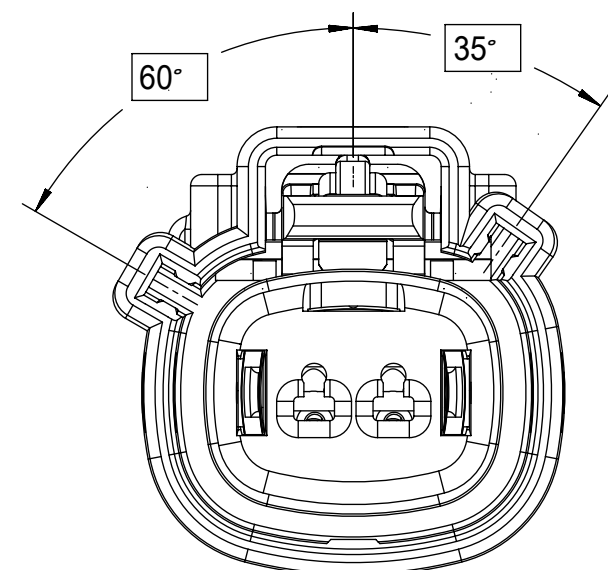
SHEET DESCRIPTION

KEY CONFIGURATIONS

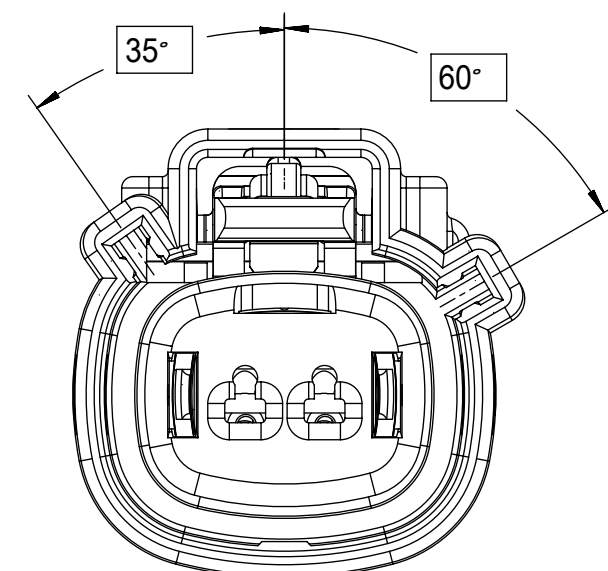
1X2



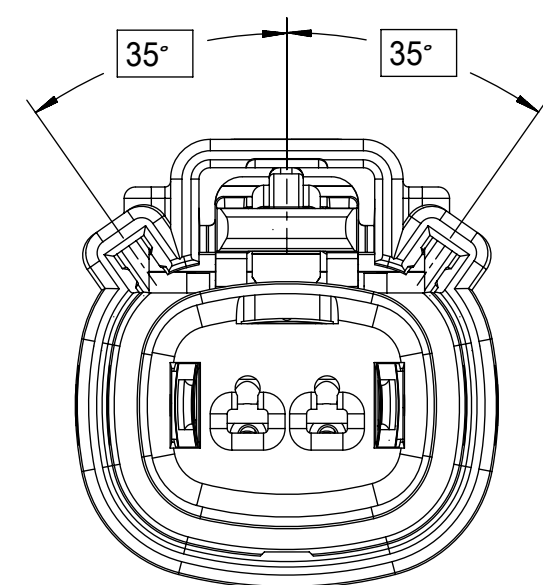
KEY A



KEY B



KEY C



KEY D

| | | | |
|--|---|------------------------|---|
| FUNCTIONAL SYMBOLS | THIS DRAWING CONTAINS INFORMATION THAT IS PROPRIETARY TO MOLEX ELECTRONIC TECHNOLOGIES, LLC AND SHOULD NOT BE USED WITHOUT WRITTEN PERMISSION | | |
| | DIMENSION UNITS | SCALE | CURRENT REV DESC: |
| $\nabla_A = 0$ | mm | 3:1 | EC NO: 643941 DRWN: XLDONG03 2020/08/21 CHK'D: JDENG02 2020/08/26 APPR: JDENG02 2020/08/26 |
| $\nabla_C = 0$ | GENERAL TOLERANCES (UNLESS SPECIFIED) | | |
| $\nabla_D = 0$ | ANGULAR TOL $\pm 1.0^\circ$ | | |
| DIVISIONAL SYMBOLS | 4 PLACES | \pm | |
| | 3 PLACES | \pm | INITIAL REVISION: DRWN: APROFFITT 2015/11/04 APPR: KDEKOSKI 2016/06/14 |
| | 2 PLACES | ± 0.1 | DOCUMENT NUMBER: SD-33471-0001 DOC TYPE: PSD DOC PART: 001 REVISION: A1 |
| | 1 PLACE | ± 0.2 | |
| | 0 PLACES | \pm | MATERIAL NUMBER: SEE NOTE 2a CUSTOMER: GENERAL MARKET SHEET NUMBER: 3 OF 8 |
| DRAFT WHERE APPLICABLE MUST REMAIN WITHIN DIMENSIONS | | THIRD ANGLE PROJECTION | DRAWING: D-SIZE SERIES: 33471 |

molex

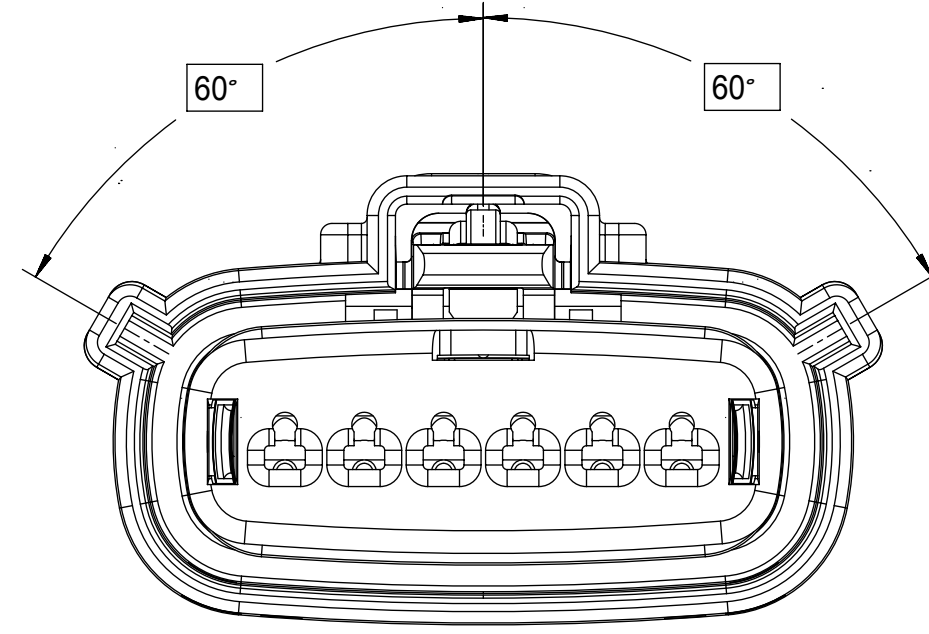
MX150 RCPT
SINGLE ROW SEALED ASSY MAT SEAL

PRODUCT CUSTOMER DRAWING

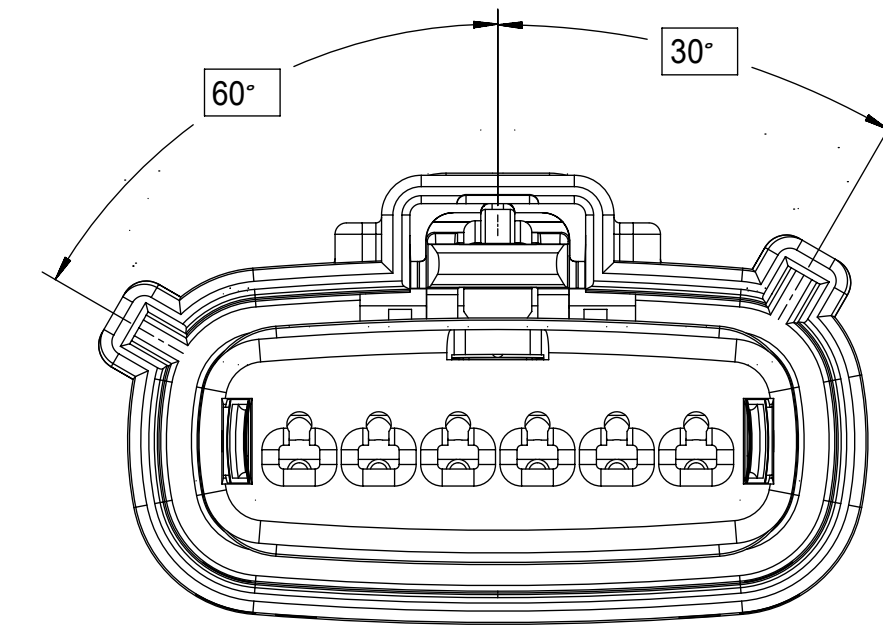
SHEET DESCRIPTION

KEY CONFIGURATIONS CONT.

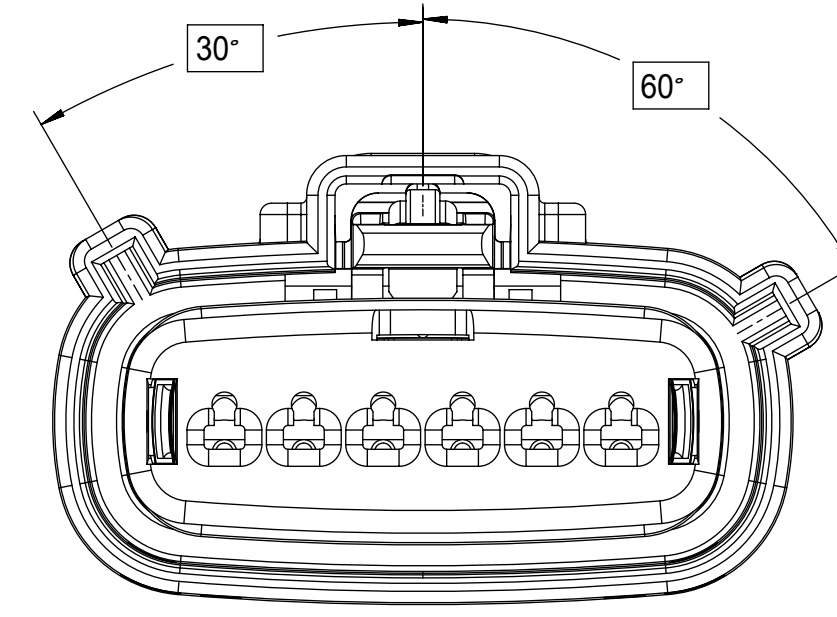
1X6



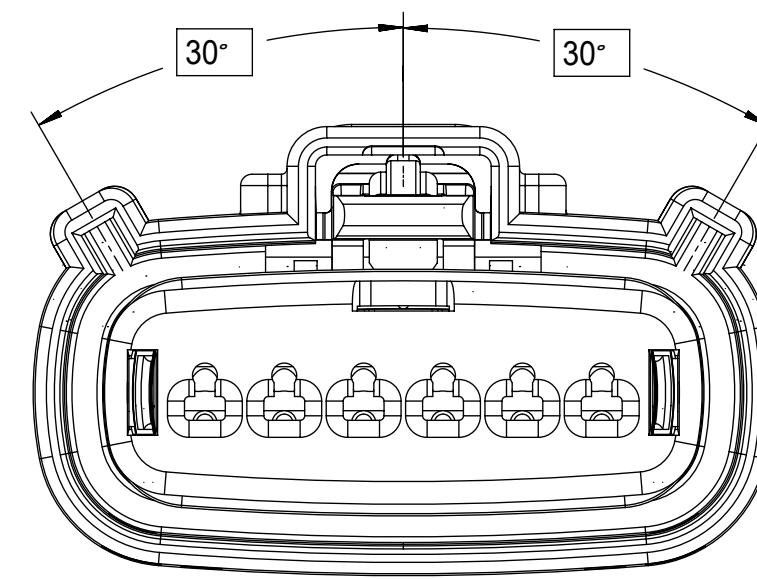
KEY A



KEY B



KEY C



KEY D

| | | | | |
|--|---|--|---|--|
| FUNCTIONAL SYMBOLS $F_A = 0$ $F_C = 0$ $F_D = 0$ | THIS DRAWING CONTAINS INFORMATION THAT IS PROPRIETARY TO MOLEX ELECTRONIC TECHNOLOGIES, LLC AND SHOULD NOT BE USED WITHOUT WRITTEN PERMISSION | | CURRENT REV DESC: | |
| | DIMENSION UNITS mm | SCALE 3:1 | EC NO: 643941 DRWN: XLDONG03 2020/08/21 CHK'D: JDENG02 2020/08/26 APPR: JDENG02 2020/08/26 | |
| GENERAL TOLERANCES (UNLESS SPECIFIED) | | INITIAL REVISION: DRWN: APROFFITT 2015/11/04 APPR: KDEKOSKI 2016/06/14 | | DOCUMENT NUMBER SD-33471-0001 |
| ANGULAR TOL $\pm 1.0^\circ$ | | DRAFT WHERE APPLICABLE MUST REMAIN WITHIN DIMENSIONS | | DOC TYPE DOC PART REVISION PSD 001 A1 |
| DIVISIONAL SYMBOLS | | THIRD ANGLE PROJECTION | DRAWING D-SIZE | MATERIAL NUMBER SEE NOTE 2a |
| 4 PLACES \pm | | SERIES 33471 | | CUSTOMER GENERAL MARKET |
| 3 PLACES \pm | | SHEET NUMBER 4 OF 8 | | |
| 2 PLACES ± 0.1 | | | | |
| 1 PLACE ± 0.2 | | | | |
| 0 PLACES \pm | | | | |

molex

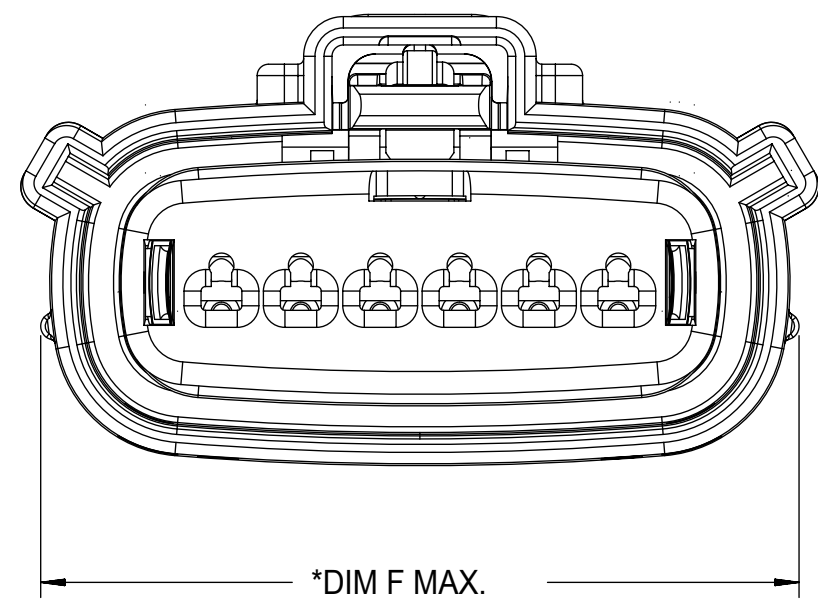
MX150 RCPT
SINGLE ROW SEALED ASSY MAT SEAL

PRODUCT CUSTOMER DRAWING

SHEET DESCRIPTION

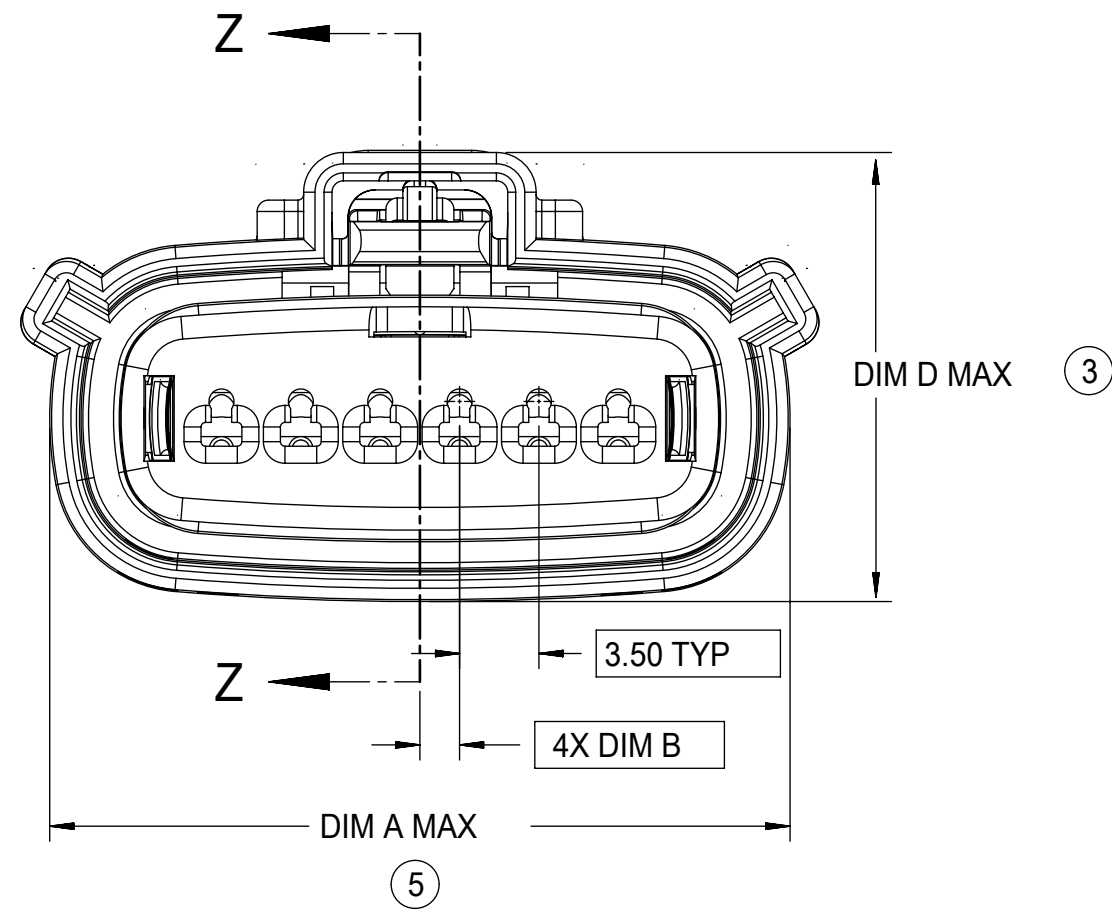
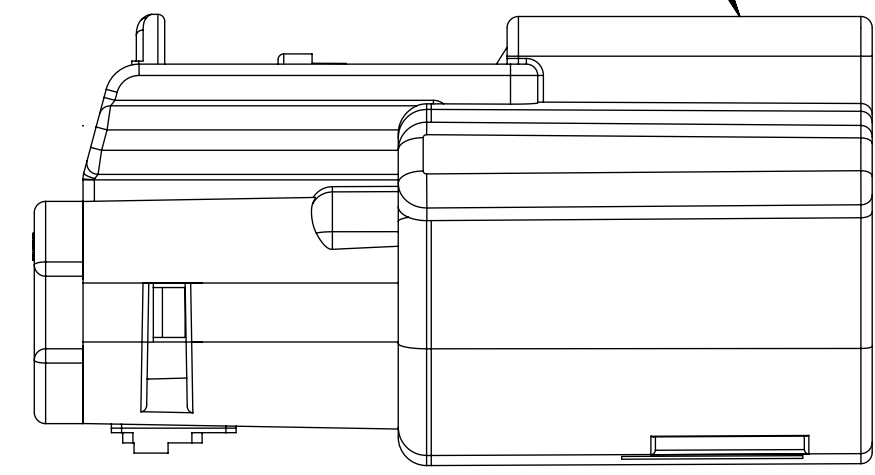
RECEPTACLE CONNECTOR ASSEMBLY - STD

| DESCRIPTION | DIMENSIONS | | | | | |
|-------------|------------|------|-------|-------|-------|-------|
| | A | B | C | D | E | F |
| 1X2 | 19.40 | 1.75 | 21.73 | 20.55 | 37.65 | 19.64 |
| 1X6 | 32.75 | 1.75 | 35.21 | 19.90 | 37.65 | N/A |
| 1X6 UL V0 | N/A | 1.75 | 35.23 | 19.90 | 37.65 | 33.64 |



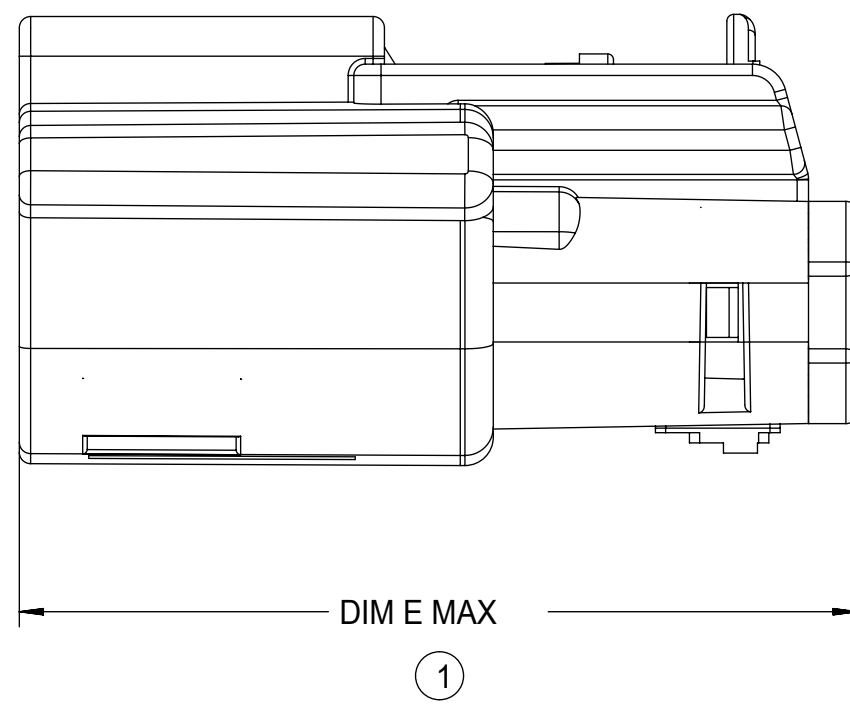
*DIM F MAX.
*APPLIE TO UL V0 CONFIGURATIONS ONLY
①

LASER MARKING ON THIS SURFACE
SEE NOTE 3g.



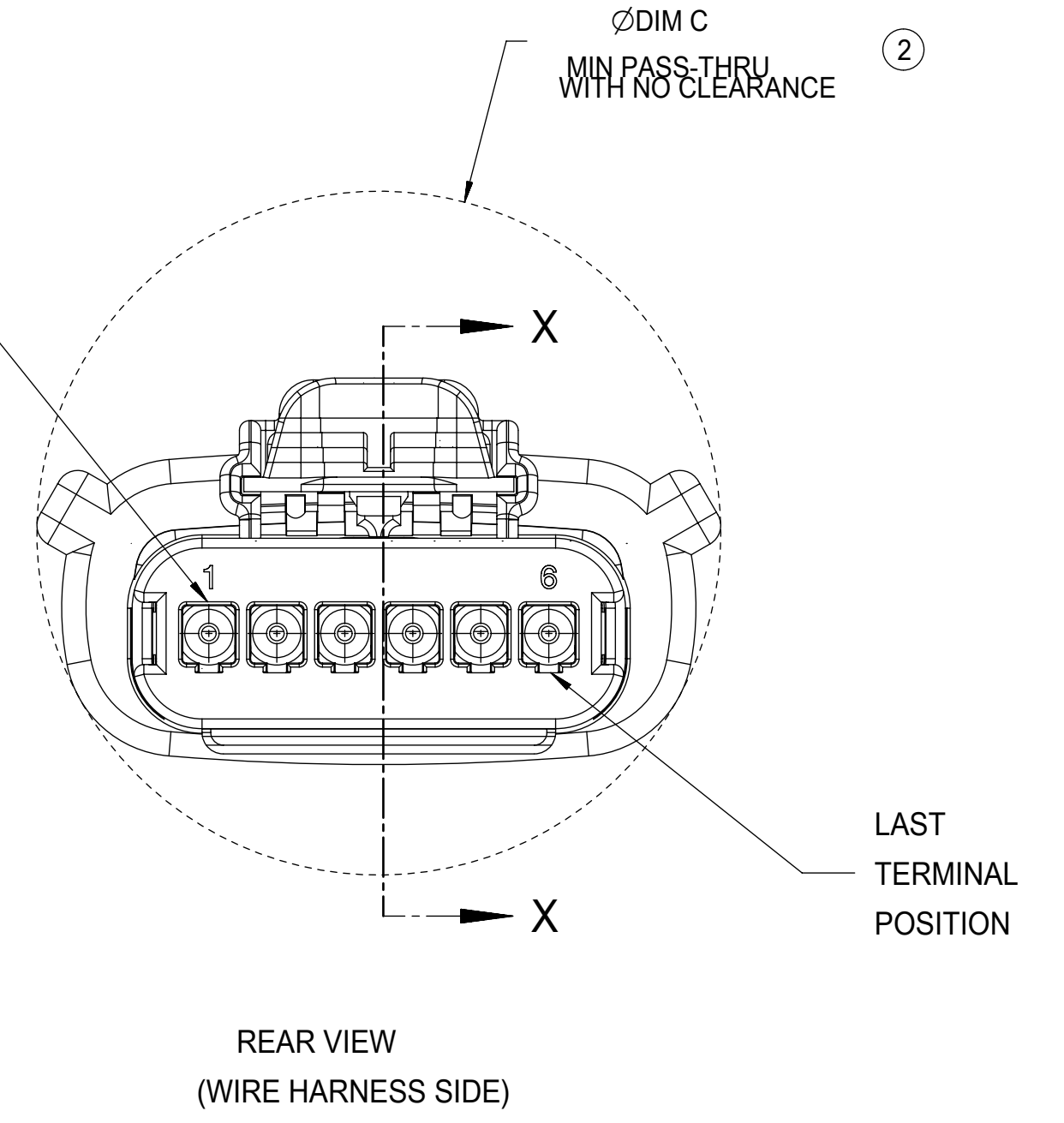
DIM D MAX ③

DIM A MAX ⑤

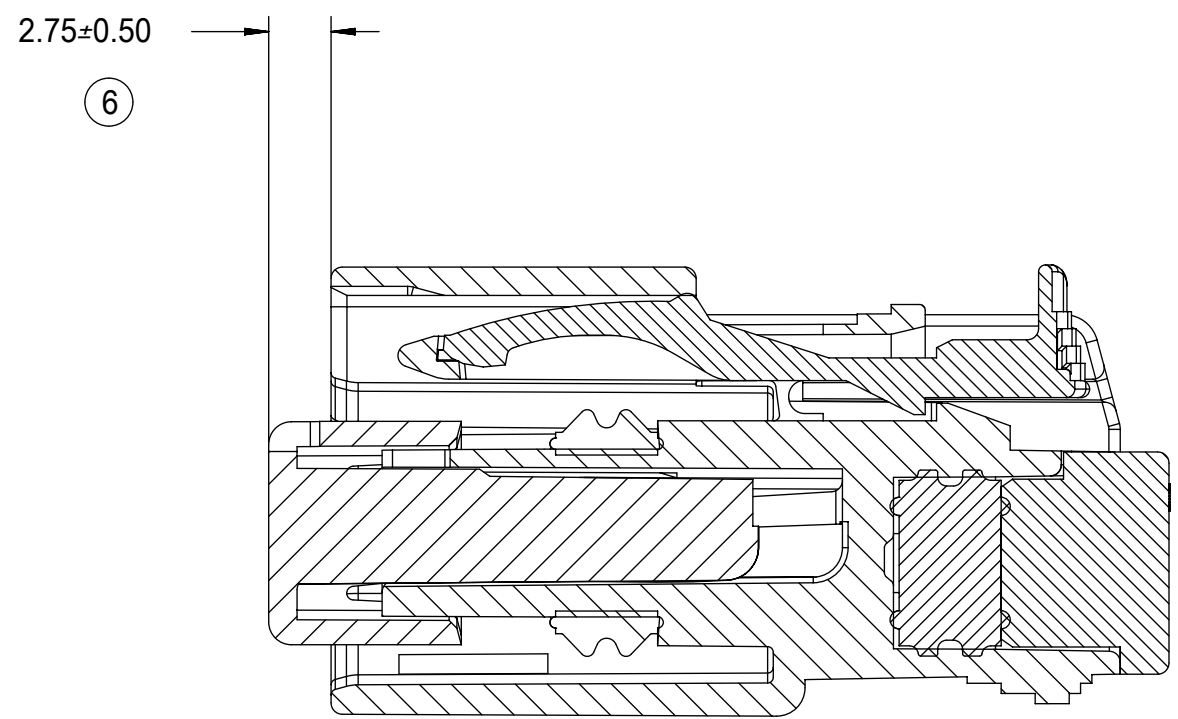
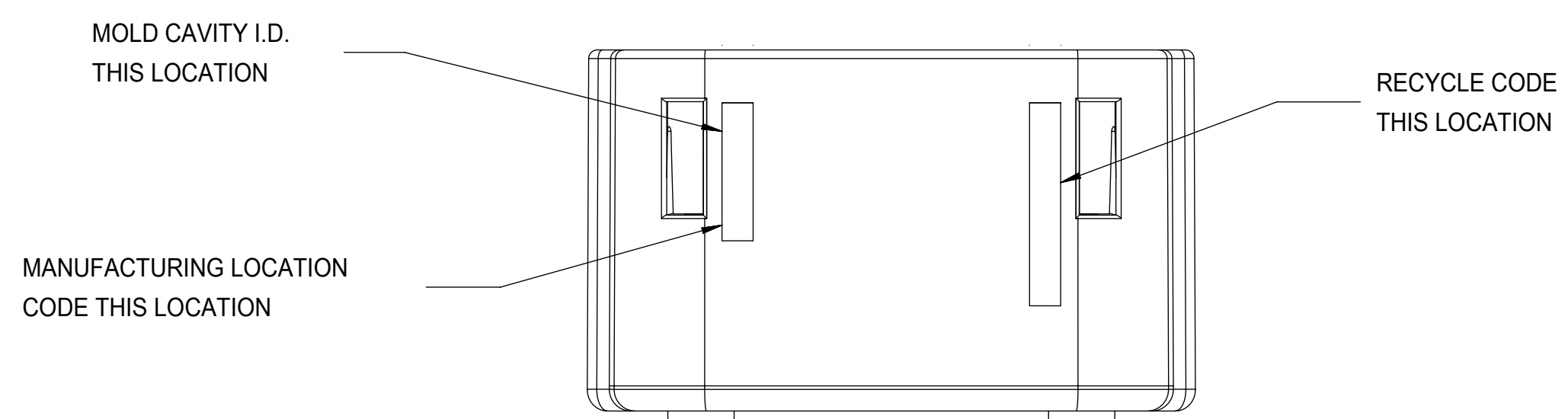


DIM E MAX ①

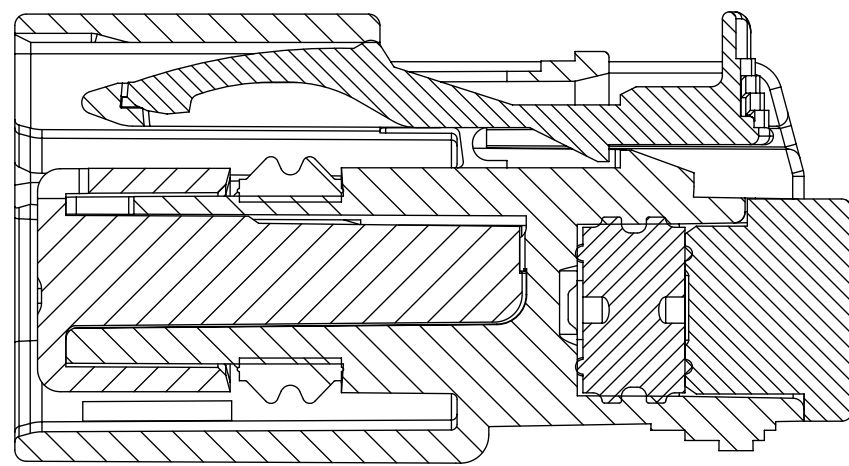
TERMINAL POSITION 1



REAR VIEW
(WIRE HARNESS SIDE)



PRIMARY LOCK REINFORCEMENT (PLR) SHOWN
IN PRE-STAGED POSITION
SECTION Z-Z



PRIMARY LOCK REINFORCEMENT (PLR) SHOWN
IN FINAL-LOCK POSITION
SECTION X-X

| | | | | | |
|--|---|---------------|------------------------|--------------------------|--------------|
| FUNCTIONAL SYMBOLS $F_A = 0$ $F_C = 0$ $F_D = 0$ | THIS DRAWING CONTAINS INFORMATION THAT IS PROPRIETARY TO MOLEX ELECTRONIC TECHNOLOGIES, LLC AND SHOULD NOT BE USED WITHOUT WRITTEN PERMISSION | | CURRENT REV DESC: | | |
| | DIMENSION UNITS | SCALE | EC NO: 643941 | | |
| | mm | 3:1 | DRWN: XLDONG03 | 2020/08/21 | |
| | GENERAL TOLERANCES (UNLESS SPECIFIED) | | CHK'D: JDENG02 | 2020/08/26 | |
| ANGULAR TOL $\pm 1.0^\circ$ | | APPR: JDENG02 | 2020/08/26 | PRODUCT CUSTOMER DRAWING | |
| DIVISIONAL SYMBOLS 4 PLACES \pm 3 PLACES \pm 2 PLACES ± 0.1 1 PLACE ± 0.2 0 PLACES \pm | INITIAL REVISION: | | DRWN: APROFFITT | 2015/11/04 | |
| | APPR: KDEKOSKI | | 2016/06/14 | SD-33471-0001 | |
| | DRAFT WHERE APPLICABLE MUST REMAIN WITHIN DIMENSIONS | | THIRD ANGLE PROJECTION | DRAWING | SHEET NUMBER |
| | D-SIZE | | SERIES | MATERIAL NUMBER | CUSTOMER |
| SEE NOTE 2a | | 33471 | GENERAL MARKET | 5 OF 8 | |

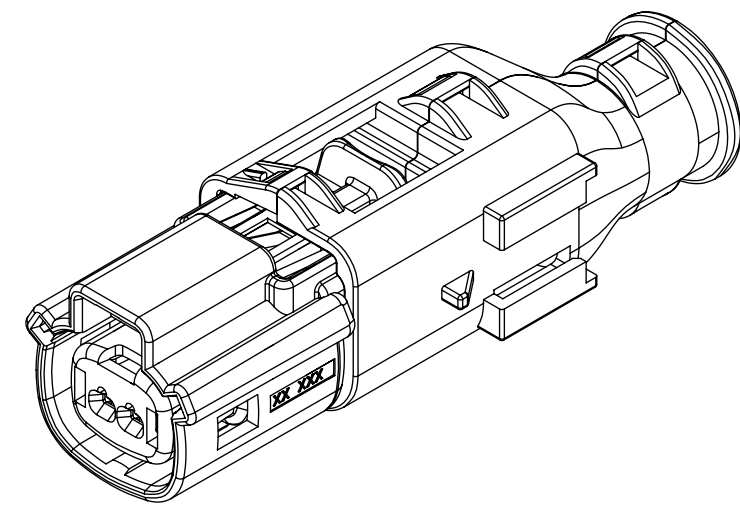
SHEET DESCRIPTION

BACKSHELL NOTES

BACKSHELL NOTES: VALID UNLESS OTHERWISE SPECIFIED

1. GENERAL:

- a. APPLICATION SPECIFICATION SEE: AS-34951-001
 - DESIGNED TO MATE WITH RECEPTACLE SEALED ASSEMBLY SPECIFIED IN MOLEX DRAWING SD-33471-0001.
 - SYSTEM TO BE USED WITH WIRE WITHIN DIAMETER RANGE OF 1.2mm TO 2.69mm.
 - COMPONENTS ARE OPTIONAL AND MUST BE PURCHASED SEPERATELY.
 - BACKSHELL DESIGN IS OWNED BY SCHLEMMER.
 - FOR ADDITIONAL INFORMATION SEE THE BACKSHELL COMPONENT DRAWING SD-34949-0001.



1X2

BACKSHELL CUSTOMER MODEL NUMBER LEGEND

34949-XXXX

CUSTOMER MODEL COMPONENTS

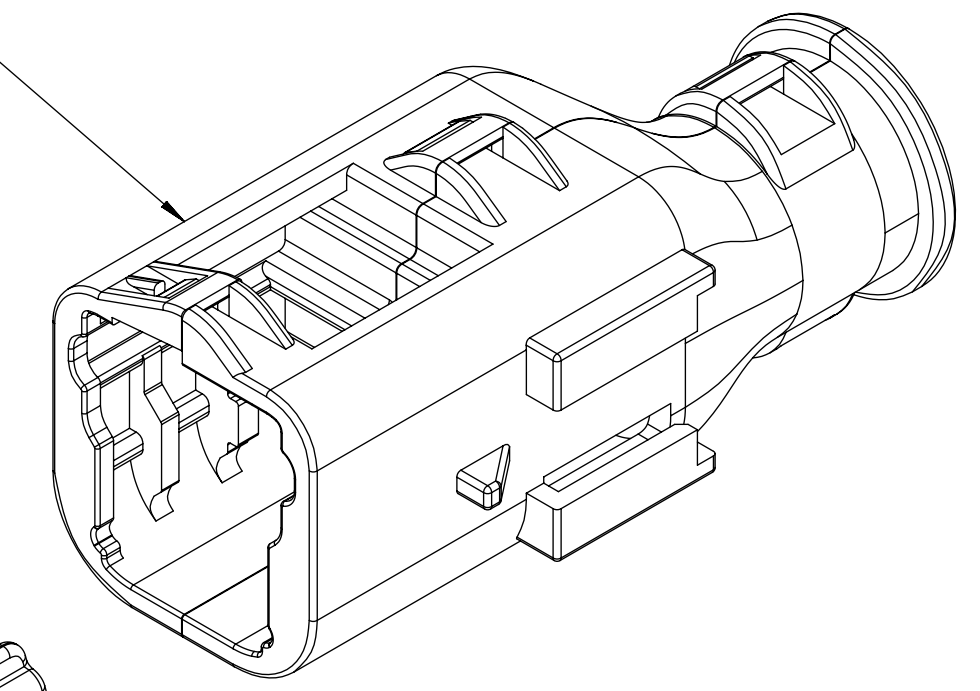
- 0 - BACKSHELL ONLY
- 1 - BACKSHELL & MX150 HOUSING KEY A ASSEMBLY
- 2 - BACKSHELL & MX150 HOUSING KEY B ASSEMBLY
- 3 - BACKSHELL & MX150 HOUSING KEY C ASSEMBLY
- 4 - BACKSHELL & MX150 HOUSING KEY D ASSEMBLY

BACKSHELL FEATURES

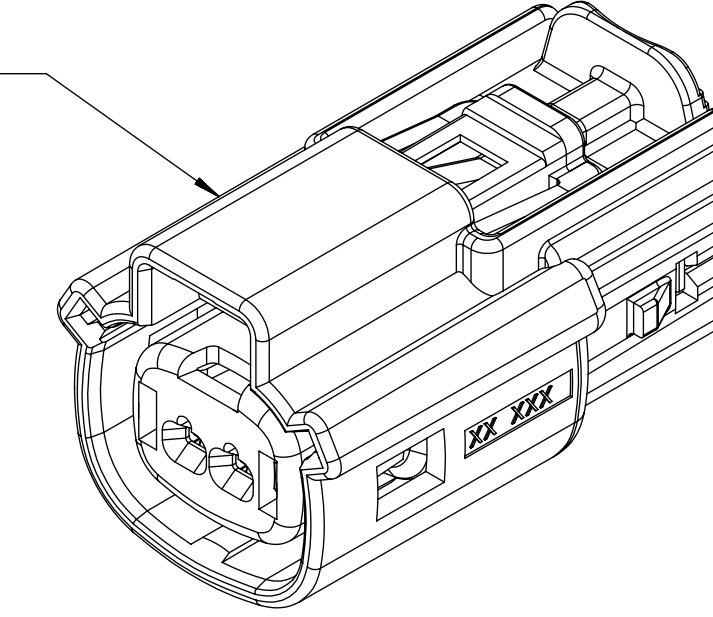
- 1 - WITH RIBS
- 2 - WITHOUT RIBS

MX150 CIRCUIT SIZE 02, 03, 04, 05, 06

BACKSHELL (BKS)



RECEPTACLE SEALED ASSEMBLY



| | | | |
|--|---|------------------------|--|
| FUNCTIONAL SYMBOLS | THIS DRAWING CONTAINS INFORMATION THAT IS PROPRIETARY TO MOLEX ELECTRONIC TECHNOLOGIES, LLC AND SHOULD NOT BE USED WITHOUT WRITTEN PERMISSION | | |
| | DIMENSION UNITS | SCALE | CURRENT REV DESC: |
| $\nabla_A = 0$ | mm | 4:1 | EC NO: 643941 DRWN: XLDONG03 2020/08/21 CHK'D: JDENG02 2020/08/26 APPR: JDENG02 2020/08/26 |
| $\nabla_C = 0$ | GENERAL TOLERANCES (UNLESS SPECIFIED) | | |
| $\nabla_D = 0$ | ANGULAR TOL $\pm 1.0^\circ$ | | INITIAL REVISION: DRWN: APROFFITT 2015/11/04 APPR: KDEKOSKI 2016/06/14 |
| DIVISIONAL SYMBOLS | 4 PLACES | \pm | |
| | 3 PLACES | \pm | DOCUMENT NUMBER SD-33471-0001 DOC TYPE PSD DOC PART 001 REVISION A1 |
| | 2 PLACES | ± 0.1 | |
| | 1 PLACE | ± 0.2 | MATERIAL NUMBER SEE NOTE 2a CUSTOMER GENERAL MARKET SHEET NUMBER 6 OF 8 |
| | 0 PLACES | \pm | |
| DRAFT WHERE APPLICABLE MUST REMAIN WITHIN DIMENSIONS | | THIRD ANGLE PROJECTION | DRAWING D-SIZE |
| | | | SERIES 33471 |

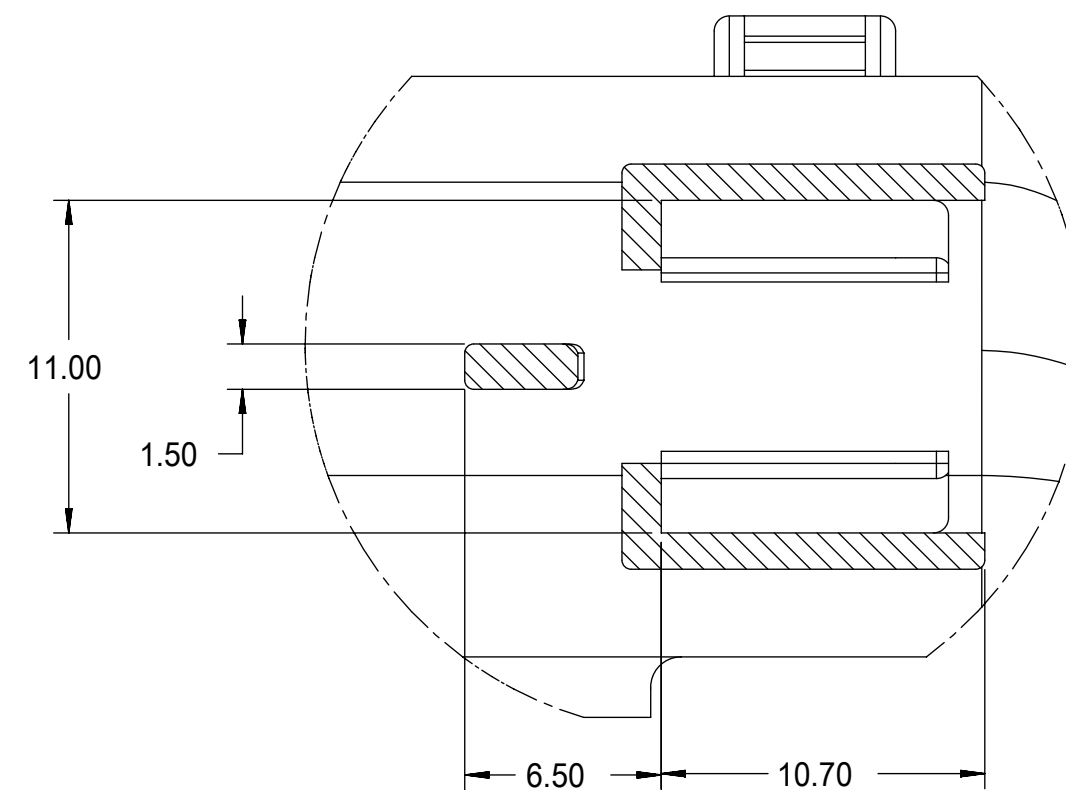
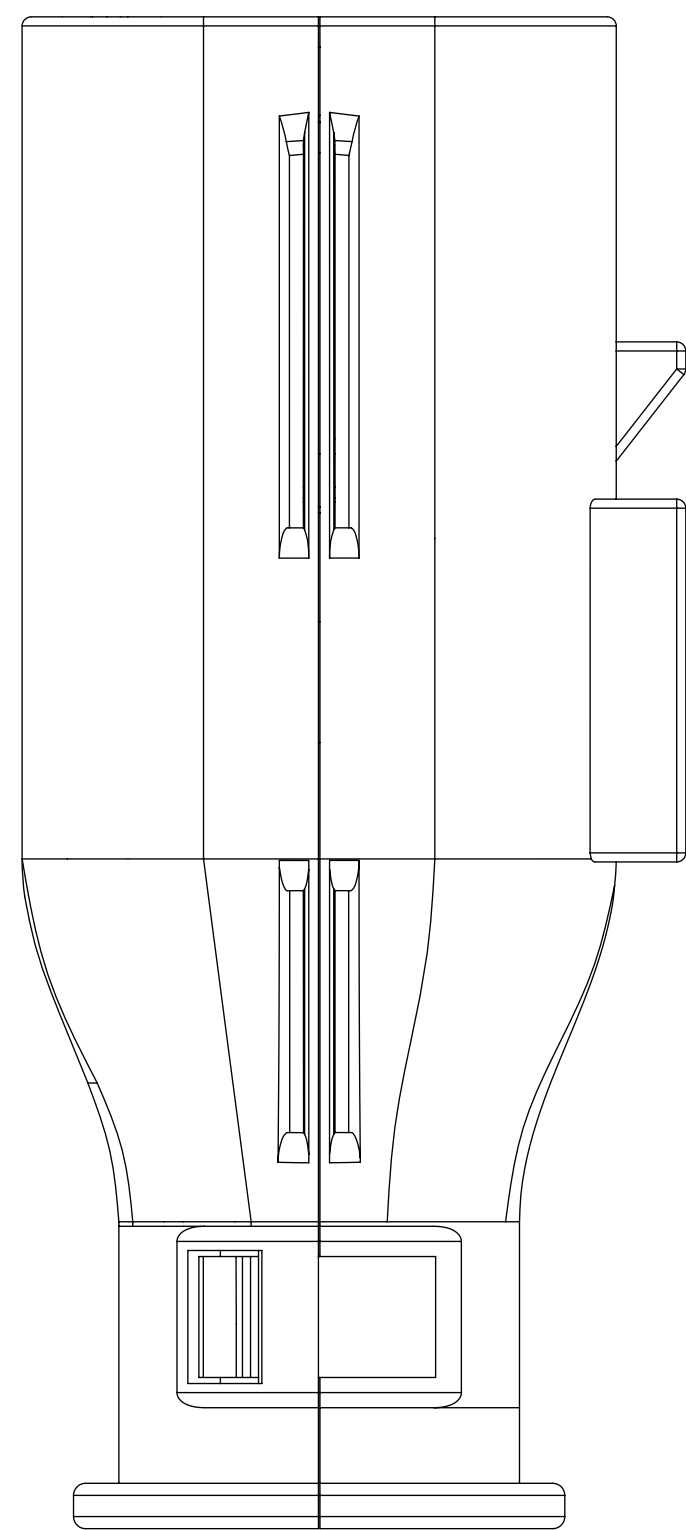
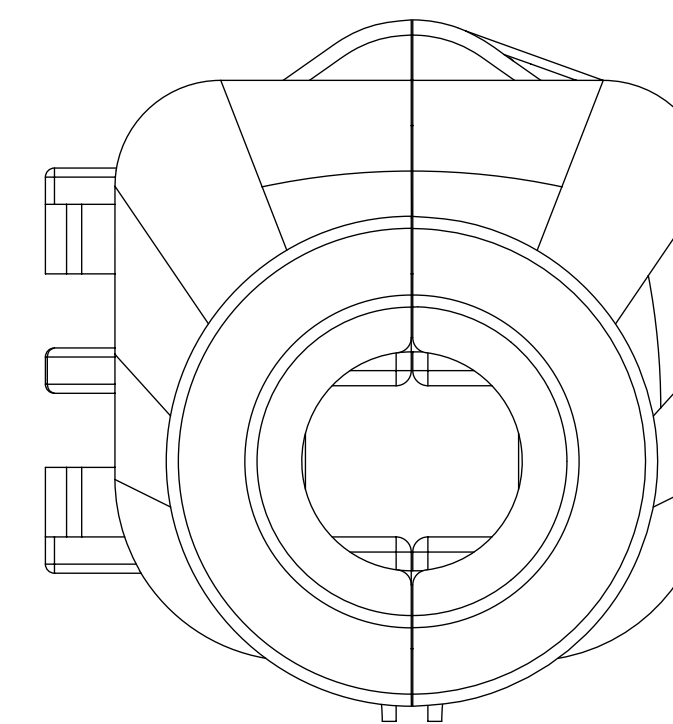
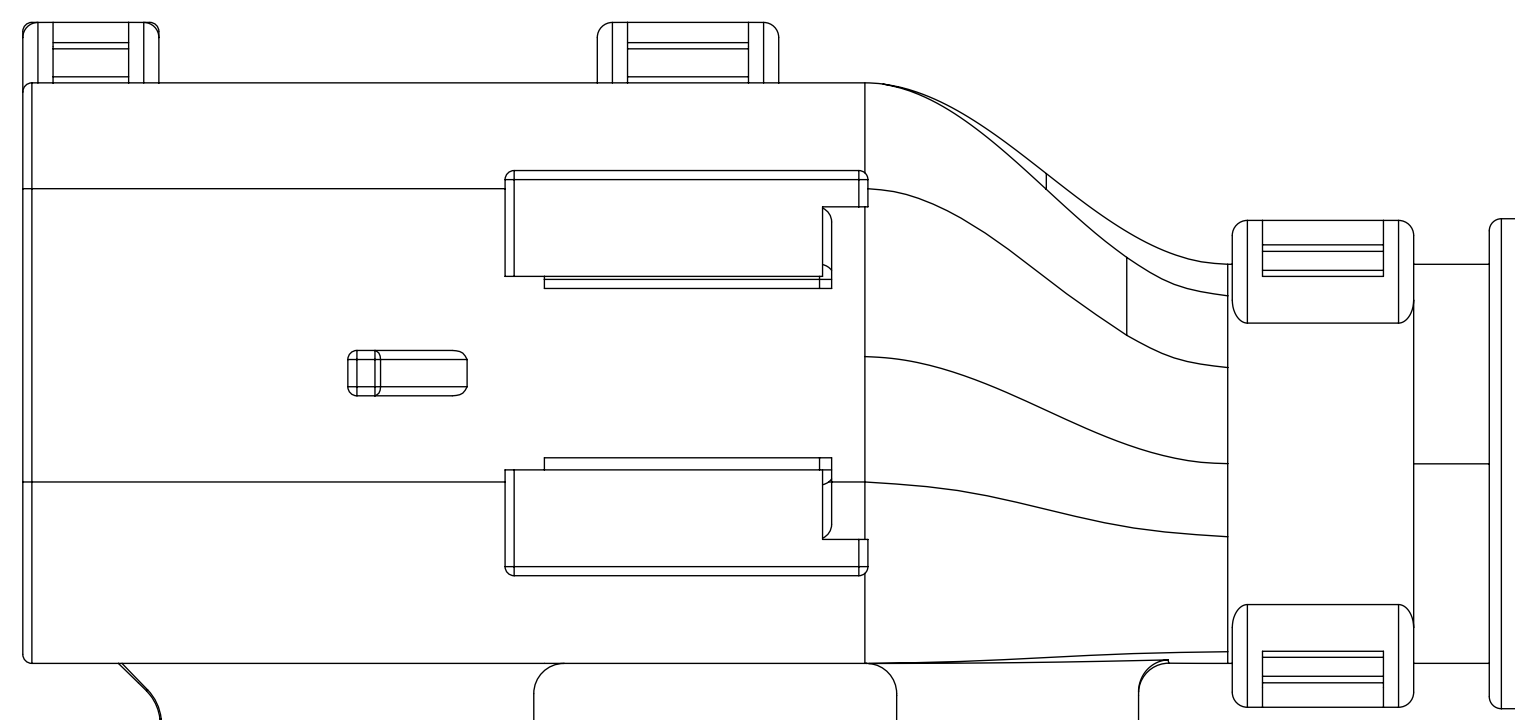
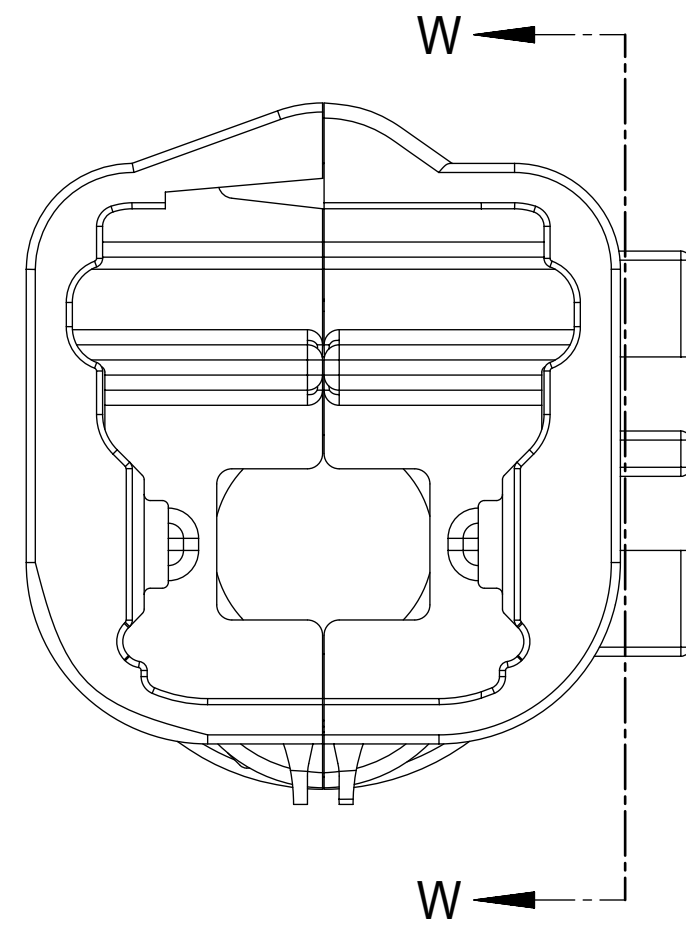
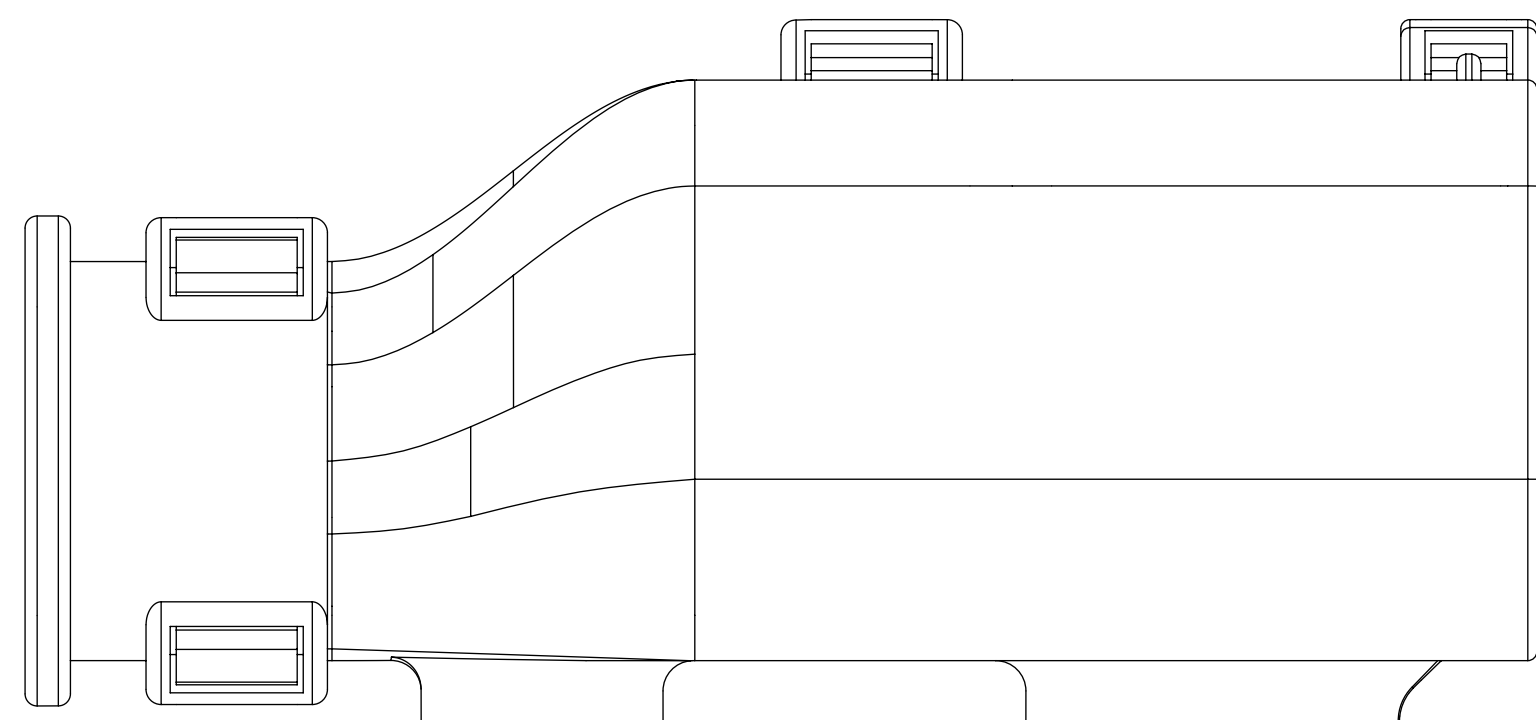
molex

MX150 RCPT
SINGLE ROW SEALED ASSY MAT SEAL

PRODUCT CUSTOMER DRAWING

SHEET DESCRIPTION

BACKSHELL



Partial W-W
SCALE 4:1

| | | | | | | | | | | |
|--|---|---------------------|---------------------------------------|--|--|--|---|----------------------------|---|------------------------|
| FUNCTIONAL SYMBOLS $F_A = 0$ $F_C = 0$ $F_P = 0$ | THIS DRAWING CONTAINS INFORMATION THAT IS PROPRIETARY TO MOLEX ELECTRONIC TECHNOLOGIES, LLC AND SHOULD NOT BE USED WITHOUT WRITTEN PERMISSION | | CURRENT REV DESC: | | | | | | | |
| | DIMENSION UNITS mm | SCALE 4:1 | GENERAL TOLERANCES (UNLESS SPECIFIED) | | | | | | EC NO: 643941 DRWN: XLDONG03 2020/08/21 CHK'D: JDENG02 2020/08/26 APPR: JDENG02 2020/08/26 | |
| | ANGULAR TOL $\pm 1.0^\circ$ | | 4 PLACES \pm | | INITIAL REVISION: DRWN: APROFFITT 2015/11/04 APPR: KDEKOSKI 2016/06/14 | | DOCUMENT NUMBER SD-33471-0001 | DOC TYPE PSD | DOC PART 001 | REVISION A1 |
| | 3 PLACES \pm | | 2 PLACES ± 0.1 | | DRAFT WHERE APPLICABLE MUST REMAIN WITHIN DIMENSIONS | | MATERIAL NUMBER SEE NOTE 2a | CUSTOMER GENERAL MARKET | | SHEET NUMBER 7 OF 8 |

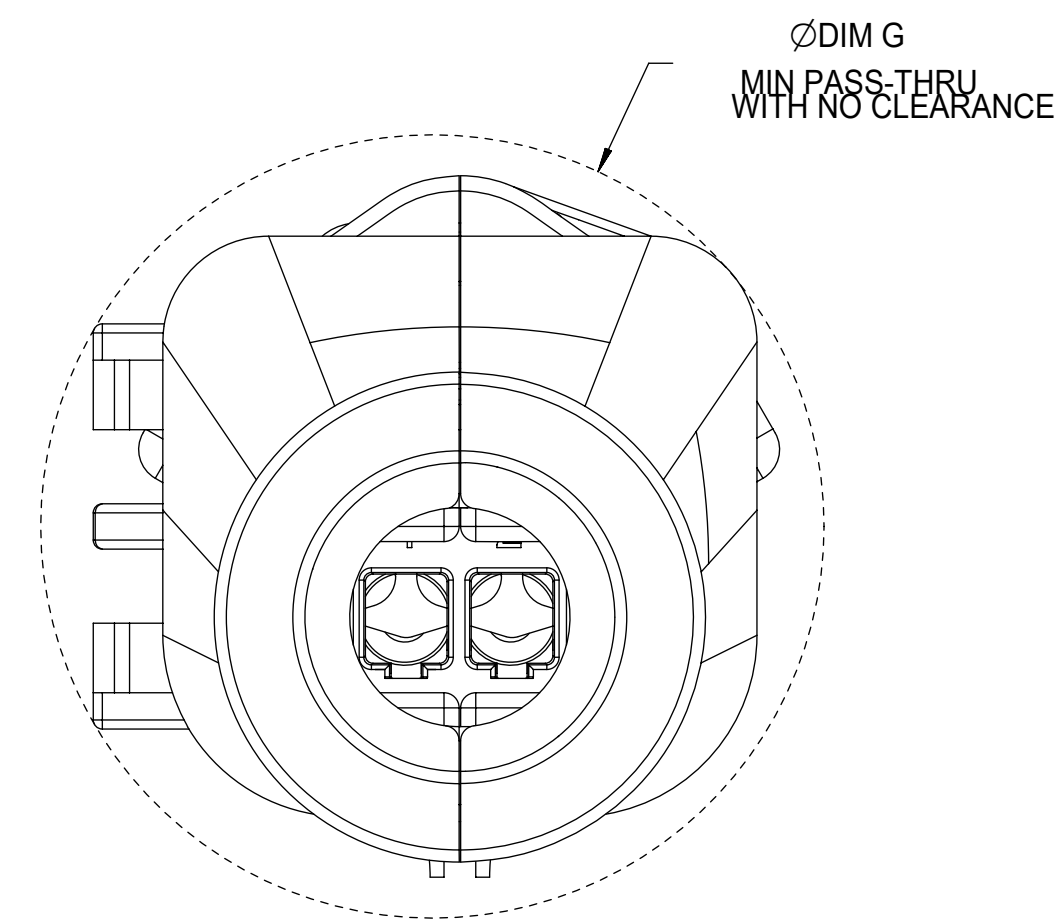
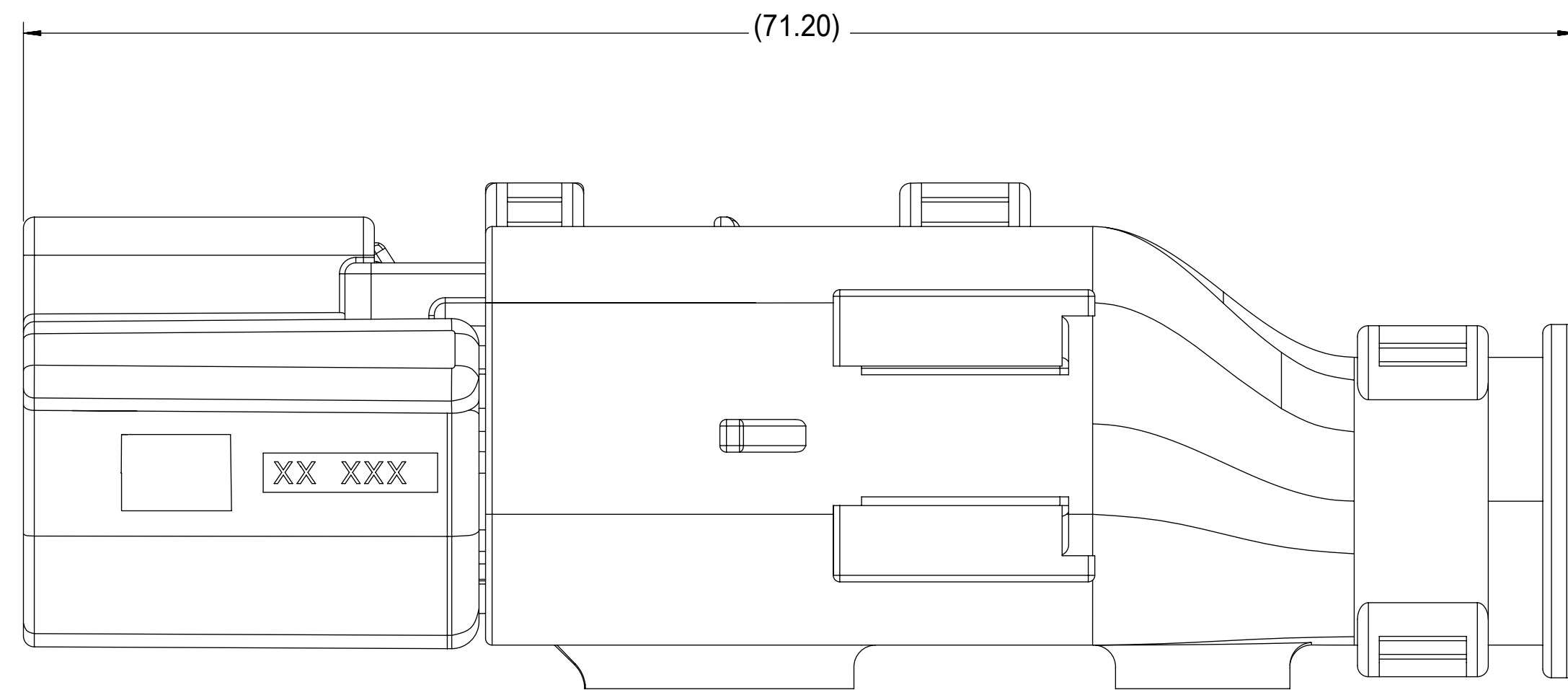
| | | | | |
|-----------------|----|--------------|------------|----------|
| DOCUMENT STATUS | P1 | RELEASE DATE | 2020/08/26 | 07:23:52 |
|-----------------|----|--------------|------------|----------|

SHEET DESCRIPTION

BACKSHELL CONFIGURATIONS

CHARTED DIMENSIONS

| DESCRIPTION | DIMENSIONS |
|-------------|------------|
| | G |
| 1X2 | 26.00 |
| | |
| | |
| | |



RECEPTACLE SEALED ASSEMBLY WITH RECEPTACLE BACKSHELL

| | | | | | | | |
|--|---|--|---------------------------|--------------------------|----------|--------------|----------|
| FUNCTIONAL SYMBOLS FA = 0 FC = 0 FP = 0 DIVISIONAL SYMBOLS | THIS DRAWING CONTAINS INFORMATION THAT IS PROPRIETARY TO MOLEX ELECTRONIC TECHNOLOGIES, LLC AND SHOULD NOT BE USED WITHOUT WRITTEN PERMISSION | | CURRENT REV DESC: | | | | |
| | DIMENSION UNITS | SCALE | EC NO: 643941 | | | | |
| | mm | 4:1 | DRWN: XLDONG03 2020/08/21 | | | | |
| | GENERAL TOLERANCES (UNLESS SPECIFIED) | | CHK'D: JDENG02 2020/08/26 | | | | |
| | ANGULAR TOL ± 1.0° | | APPR: JDENG02 2020/08/26 | | | | |
| 4 PLACES ± | | INITIAL REVISION: | | DOCUMENT NUMBER | DOC TYPE | DOC PART | REVISION |
| 3 PLACES ± | | DRWN: APROFFITT 2015/11/04 | | SD-33471-0001 | PSD | 001 | A1 |
| 2 PLACES ± 0.1 | | APPR: KDEKOSKI 2016/06/14 | | PRODUCT CUSTOMER DRAWING | | | |
| 1 PLACE ± 0.2 | | DRAFT WHERE APPLICABLE MUST REMAIN WITHIN DIMENSIONS | | SEE NOTE 2a | | | |
| 0 PLACES ± | | THIRD ANGLE PROJECTION | | GENERAL MARKET | | | |
| DRAFT WHERE APPLICABLE MUST REMAIN WITHIN DIMENSIONS | | DRAWING | | SERIES | | SHEET NUMBER | |
| | | D-SIZE | | 33471 | | 8 OF 8 | |

TABLE OF CONTENTS

| SHEET NO. | SHEET DESCRIPTION |
|-----------|---------------------|
| 1 | NOTES AND BOM |
| 2 | POLARIZATIONS |
| 3 | RCPT CONNECTOR ASSY |
| 4 | BOM SHEET 1 |
| 5 | BOM SHEET 2 |
| 6 | BOM SHEET 3 |

NOTES: VALID UNLESS OTHERWISE SPECIFIED

1. GENERAL:

a. APPLICATION SPECIFICATION SEE: AS-33472-100

- CONTAINS: PRODUCT INTRODUCTION, PRODUCT SUMMARY, CONNECTOR ASSEMBLY, PACKAGING INFORMATION, CONNECTOR MATING, SERVICE INSTRUCTIONS, ELECTRICAL CONTINUITY CHECKING, CRIMPING, AND TROUBLESHOOTING.
- DESIGNED TO MATE WITH DEVICE CONNECTION AS SPECIFIED IN DRAWING EWCAP 150-S-006-1-Z03, AVAILIBLE AT <http://ewcap.uscarteams.org/>.
- DESIGNED TO MATE WITH BLADE SEALED ASSEMBLY AS SPECIFIED IN DRAWING SD-33481-061
- FOR 1.5mm RECEPTACLE TERMINALS TO BE USED WITH THIS ASSEMBLY. SEE MOLEX DRAWING SD-33012-002.
- SYSTEM TO BE USED WITH WIRE WITHIN DIAMETER RANGE OF 1.2 mm TO 2.69 mm.
- ASSEMBLY SHIPPED WITH PLR AND CPA IN PRE-LOCK POSITION (SEE SECTION Z-Z PRE-LOCK).
- IN THE EVENT THAT THE PLR IS FOUND IN THE SEATED (FINAL LOCK) POSITION, REFER TO MOLEX SPECIFICATION PS-34646-001, AVAILABLE AT www.molex.com <http://www.molex.com>.
- ASSEMBLY CONFORMS TO SAE/USCAR-2 REV.4 WITH THE FOLLOWING EXCEPTIONS: ENGAGEMENT FORCE TO MOVE CPA FROM PRE-LOCK TO FINAL LOCK POSITION WHEN UNMATED: 40N MIN. DISENGAGEMENT FORCE TO MOVE CPA FROM FINAL LOCK TO PRE-LOCK POSITION: 3N MIN, 40N MAX TERMINAL INSERTION FORCE FOR WIRE DIAMETER ABOVE 2.5mm NOT EXCEEDING 2.69mm SHALL NOT EXCEED 40 NEWTONS.

b. PRODUCT SPECIFICATION SEE: PS-33471-000

- CONTAINS: PRODUCT INTRODUCTION, PRODUCT SUMMARY, RATINGS (CURRENT, TEMPERATURE, SEALING, AND FLAMMABILITY), AND PRODUCT VALIDATION.

c. PACKAGING SPECIFICATION PER MOLEX DRAWING: PK-31300-903

d. PARTS MUST BE IN COMPLIANCE TO MOLEX CHEMICAL SUBSTANCES FOR PRODUCTS AND PACKAGING SPECIFICATION: ES-40000-5016

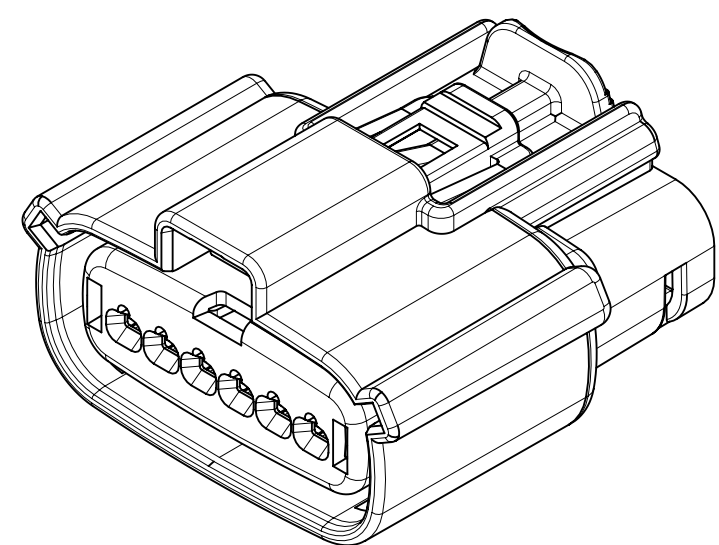
e. DATA MUST BE SUBMITTED UNDER THE MOLEX PART NUMBER TO IMDS (COMPANY ID#13255)

2. DESIGN - MATERIALS:

- a. CONNECTOR HOUSING, GROMMET CAP, PLR: SPS/NYLON BLEND 20% GLASS FILLED
- b. CPA: PBT 20% GLASS FILLED
- c. MAT SEAL AND RING SEAL: INHERENTLY LUBRICATED SILICONE

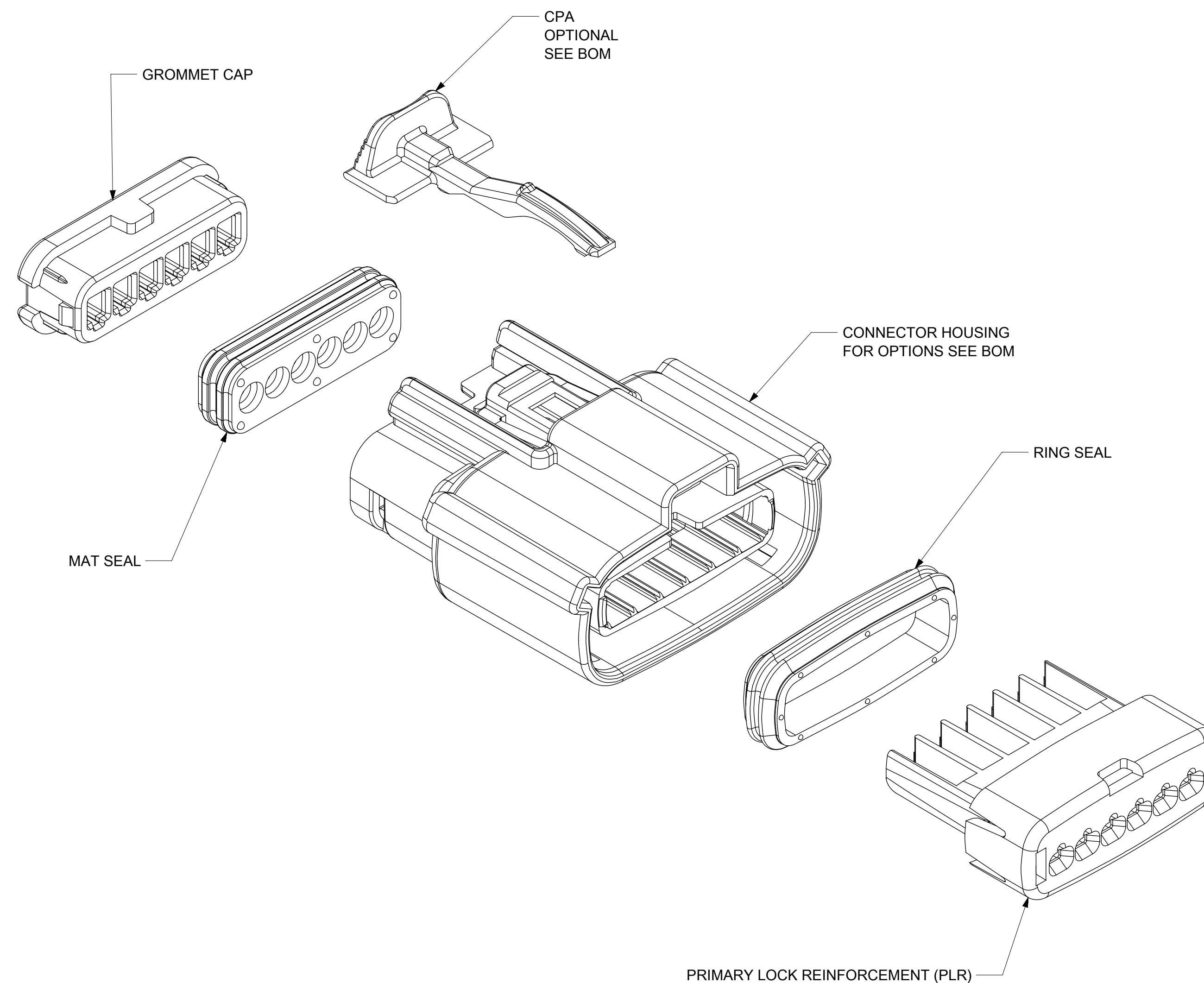
3. DESIGN - GEOMETRY:

- a. THIS IS A 100% CAD GENERATED PART. THE CAD MATHEMATICAL DATA IS THE MASTER FOR THIS PART. FOR DIMENSIONAL OR ANY INFORMATION NOT SHOWN ON THIS DRAWING, ANALYZE THE CAD MODEL.
- b. GEOMETRIC DIMENSIONS AND TOLERANCES PER ASME Y14.5M - 1994
- c. EDGES AND UNDIMENSIONED DETAILS PER ISO13715
- d. CORNERS SHOWN AS SHARP TO BE R 0.2 MAX.
- e. LETTERING SHALL BE 0.15 MAX RAISED IN 0.25 MAX RECESS PAD. THIS INCLUDES RECYCLING CODE, CAVITY ID, VENDOR IDENTIFICATION, AND CUSTOMER MATERIAL NUMBER.
- f. VISUAL DEFECTS SHALL MEET COSMETIC STANDARD PS-45499-002 (Class B)
- g. LASER MARKING: TBD



MATING INTERFACE CHART

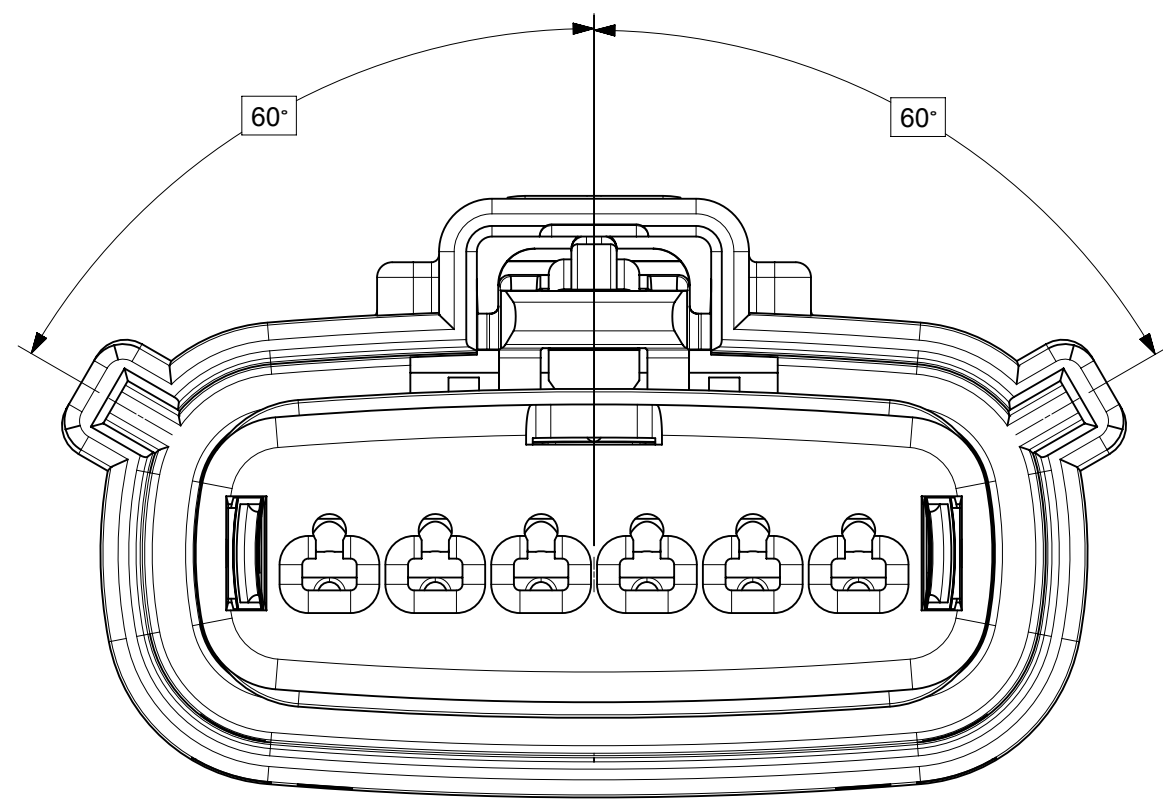
| DESCRIPTION | CIRCUIT SIZE | SERIES | COLOR | INTERFACE MODEL NUMBER | STATUS |
|----------------------------|--------------|--------|------------|------------------------|----------|
| MX150 1X6 RCPT ASSY, KEY A | 6 | 33471 | BLACK | CM-150-S-006-1-A03 | SALEABLE |
| MX150 1X6 RCPT ASSY, KEY B | 6 | 33471 | DARK GRAY | CM-150-S-006-1-B03 | SALEABLE |
| MX150 1X6 RCPT ASSY, KEY C | 6 | 33471 | LIGHT GRAY | CM-150-S-006-1-C03 | SALEABLE |
| MX150 1X6 RCPT ASSY, KEY D | 6 | 33471 | BLACK | CM-150-S-006-1-D03 | SALEABLE |



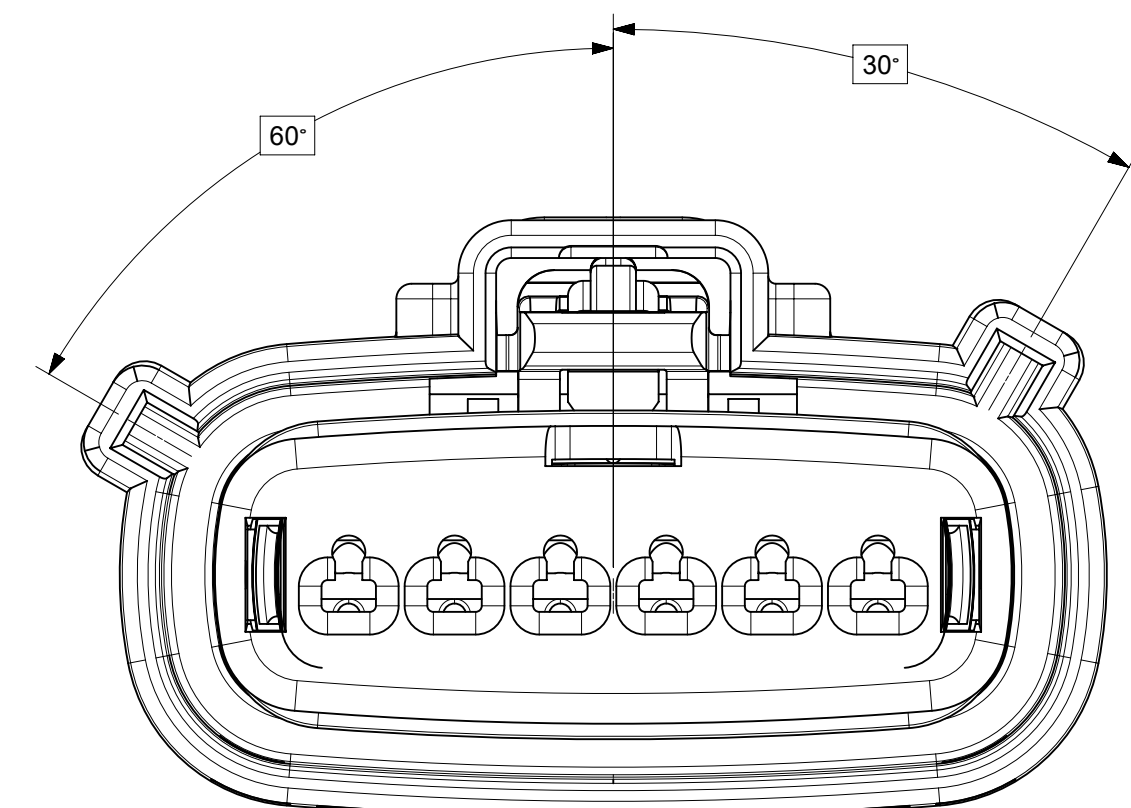
| INSPECTION NUMBER LOG | | REV | REV DESCRIPTION |
|-----------------------|---|-----|-----------------|
| U5 | ADDED PN: 33471-6081 | | |
| U4 | Updated status of parts based on new mat seal | | |
| U3 | ADDED 33471-6080 | | |
| U2 | UPDATED 33471-60** PARTS TO SALEABLE AND REMOVED "NOT RECOMMENDED" PART NUMBERS | | |
| U1 | Remastered, Added 33471-60** Part Numbers | | |
| LAST NUMBER: 5 | | | |

| | | | | | | | | | |
|--|---|--------------------------------------|---------------------------------------|----------------|----------------------------|--------------------------|--|---|--|
| FUNCTIONAL SYMBOLS FA = 0 FC = 0 FD = 0 | THIS DRAWING CONTAINS INFORMATION THAT IS PROPRIETARY TO MOLEX ELECTRONIC TECHNOLOGIES, LLC AND SHOULD NOT BE USED WITHOUT WRITTEN PERMISSION | CURRENT REV DESC: SEE REVISION TABLE | | | | | | | |
| | DIMENSION UNITS: mm | SCALE: 2:1 | GENERAL TOLERANCES (UNLESS SPECIFIED) | | | | | | |
| DIVISIONAL SYMBOLS | ANGULAR TOL ± 3.0° | 4 PLACES ± | 3 PLACES ± | 2 PLACES ± 0.1 | 1 PLACE ± 0.3 | 0 PLACES ± | EC NO: 669011 DRWN: SCV 2021/07/02 CHK'D: GGA 2021/07/08 APPR: GGA 2021/07/08 INITIAL REVISION: DRWN: DGRIFITHS 2005/08/26 APPR: smarceau 2005/08/29 | MX150 1X6 RECEPTACLE SEALED ASSEMBLY MAT SEAL PRODUCT CUSTOMER DRAWING | |
| | DRAFT WHERE APPLICABLE MUST REMAIN WITHIN DIMENSIONS | THIRD ANGLE PROJECTION | DRAWING: D-SIZE | SERIES: 33471 | MATERIAL NUMBER: SEE TABLE | CUSTOMER: GENERAL MARKET | | SHEET NUMBER: 1 OF 6 | |

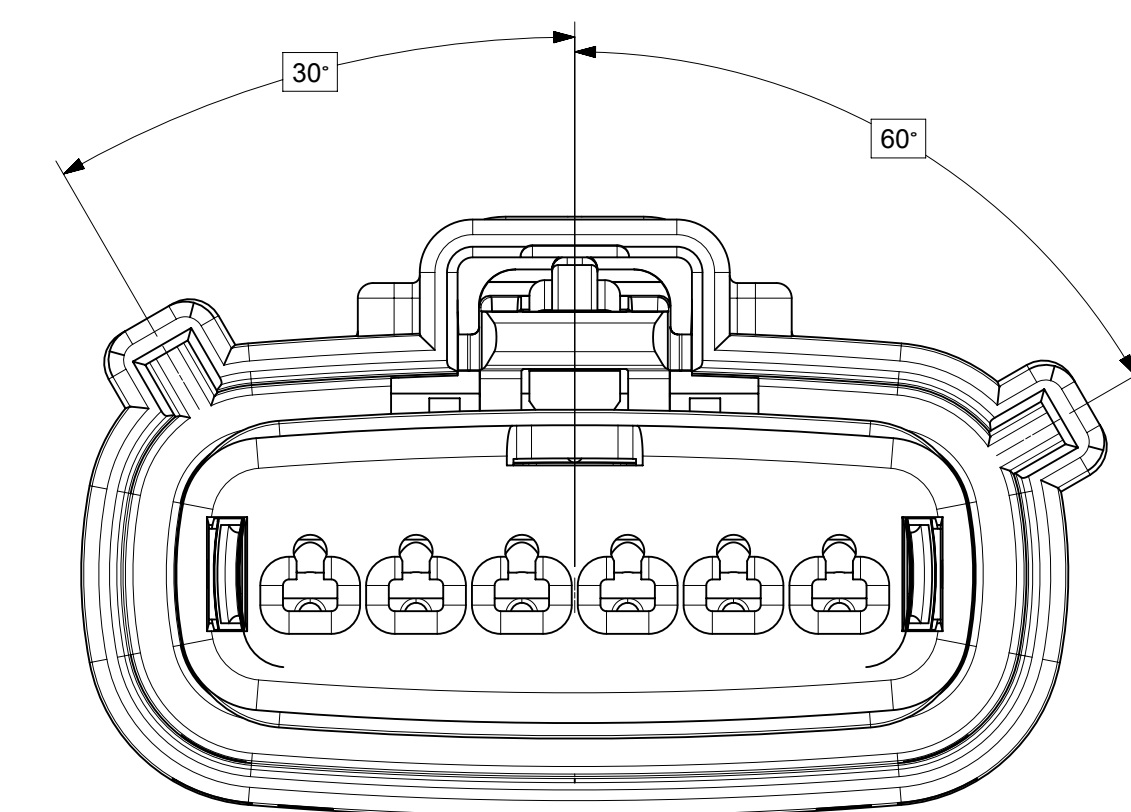
SHEET DESCRIPTION
POLARIZATIONS



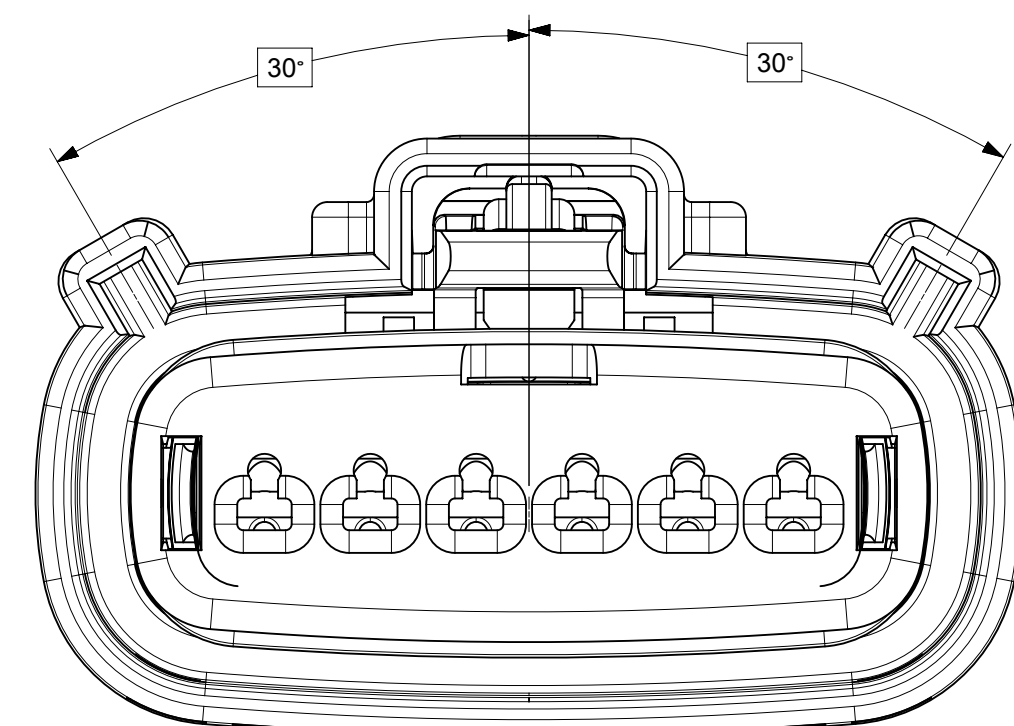
KEY A



KEY B



KEY C

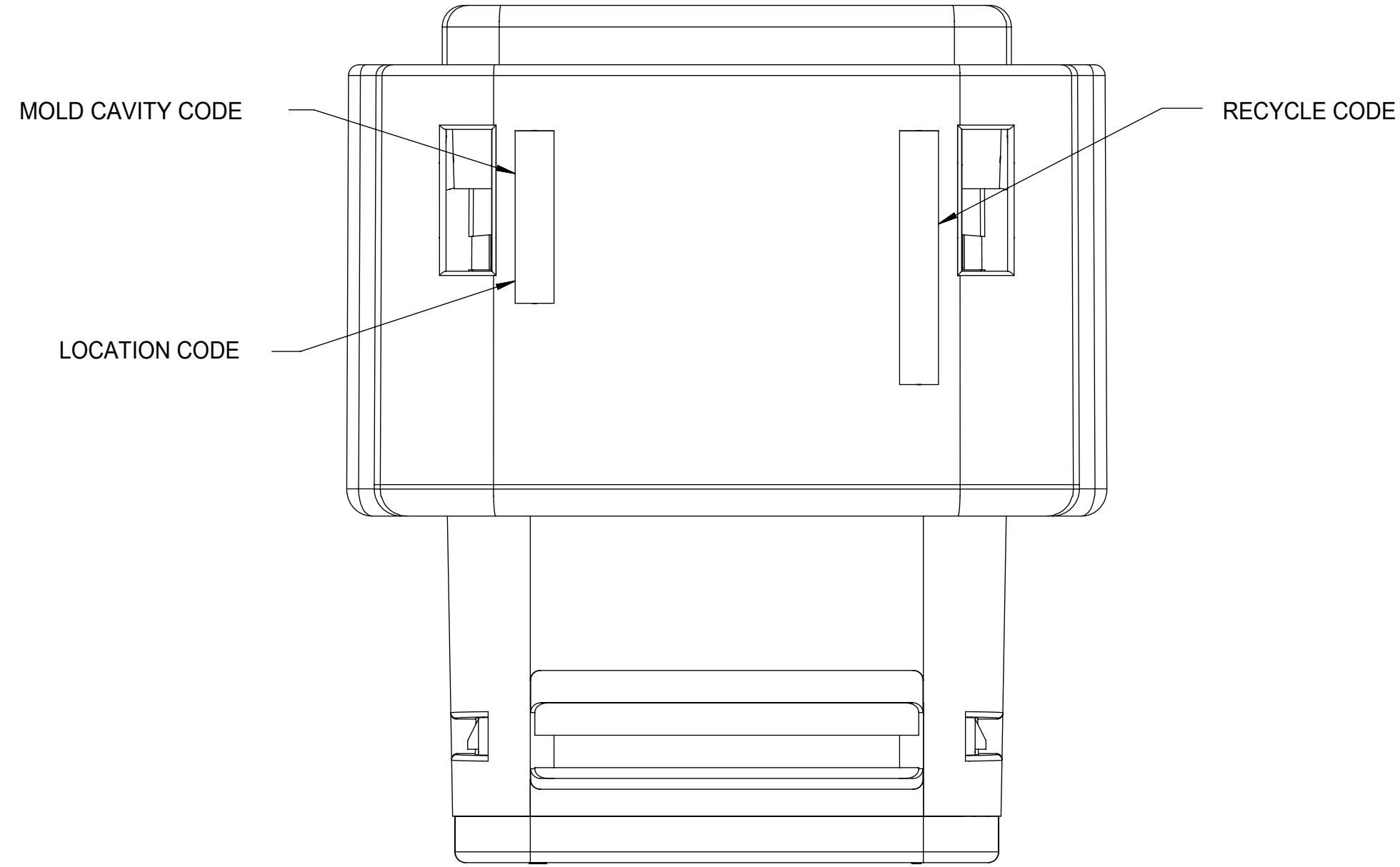
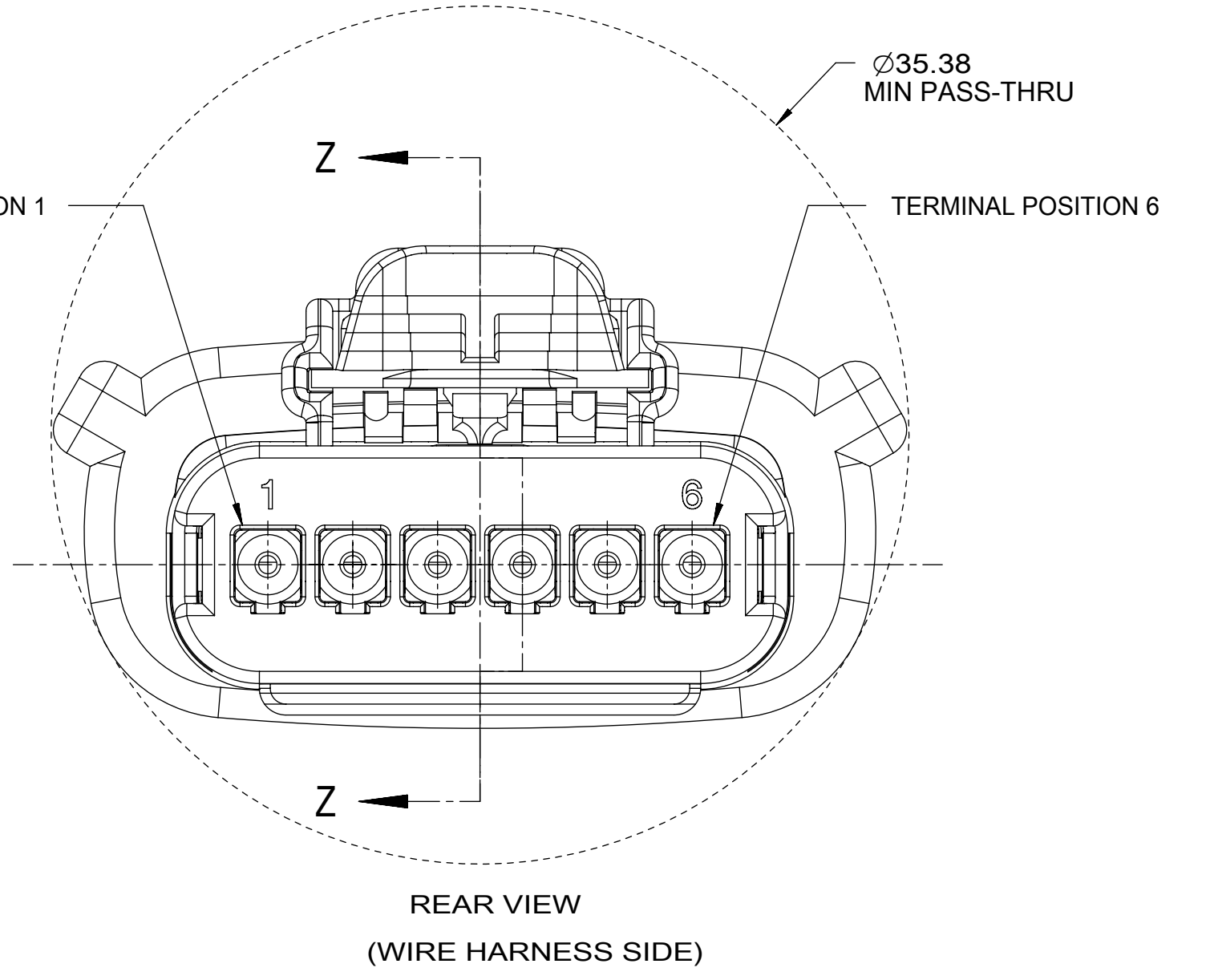
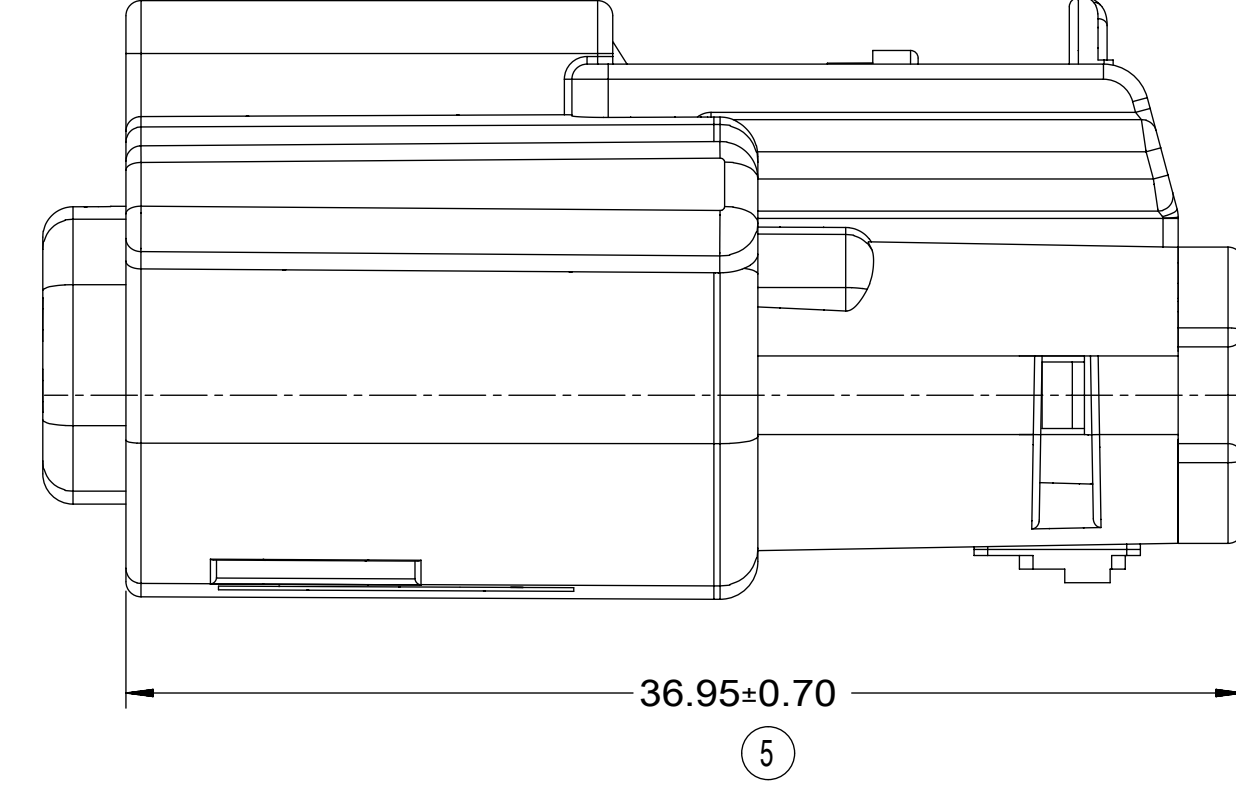
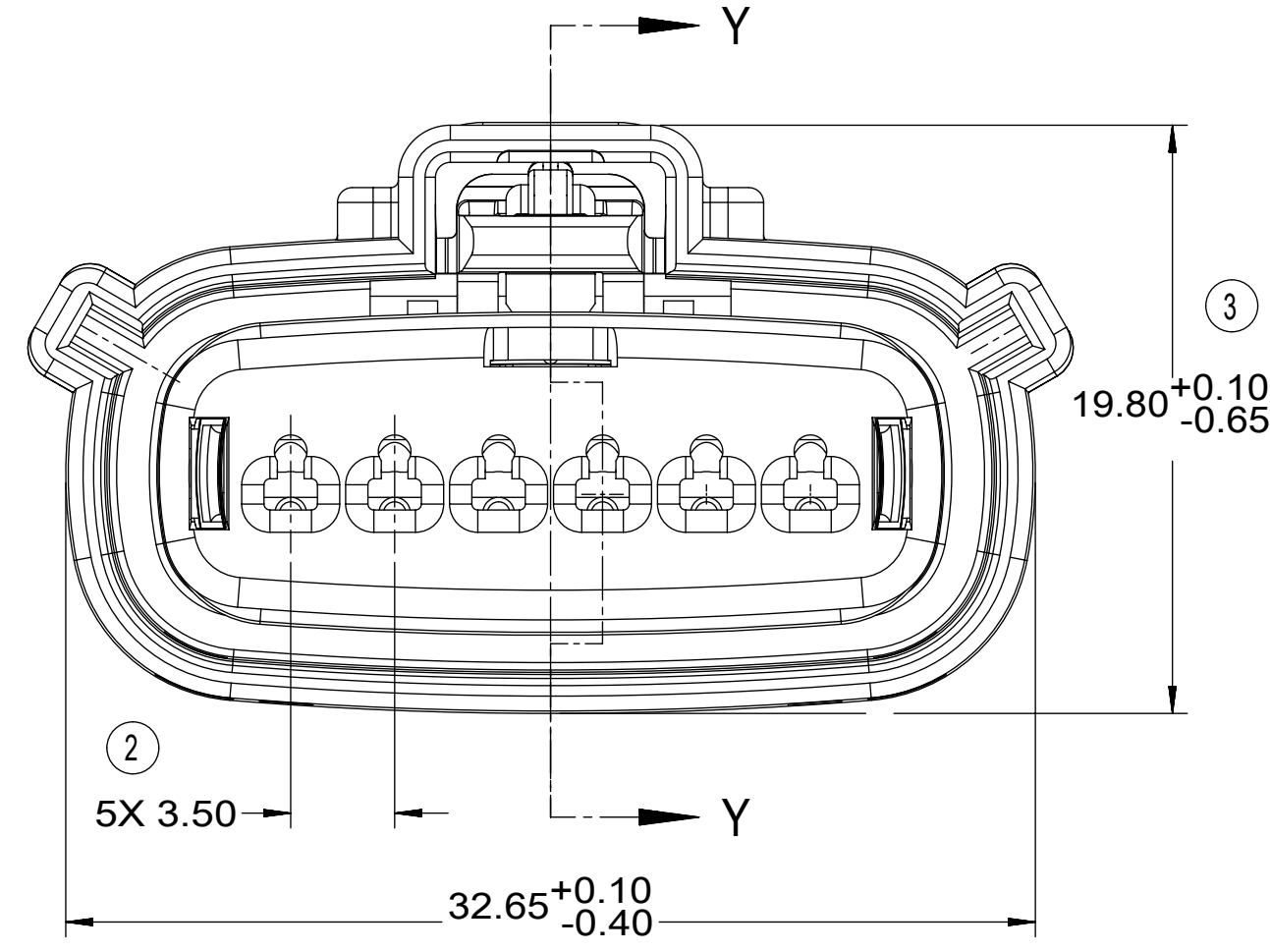
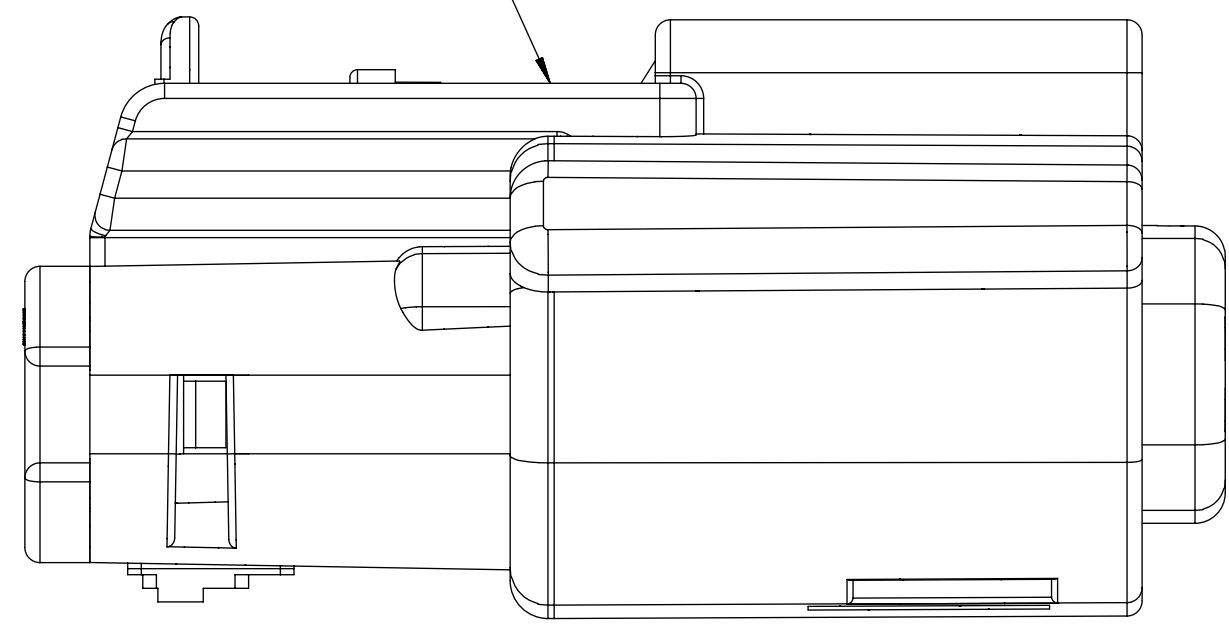


KEY D

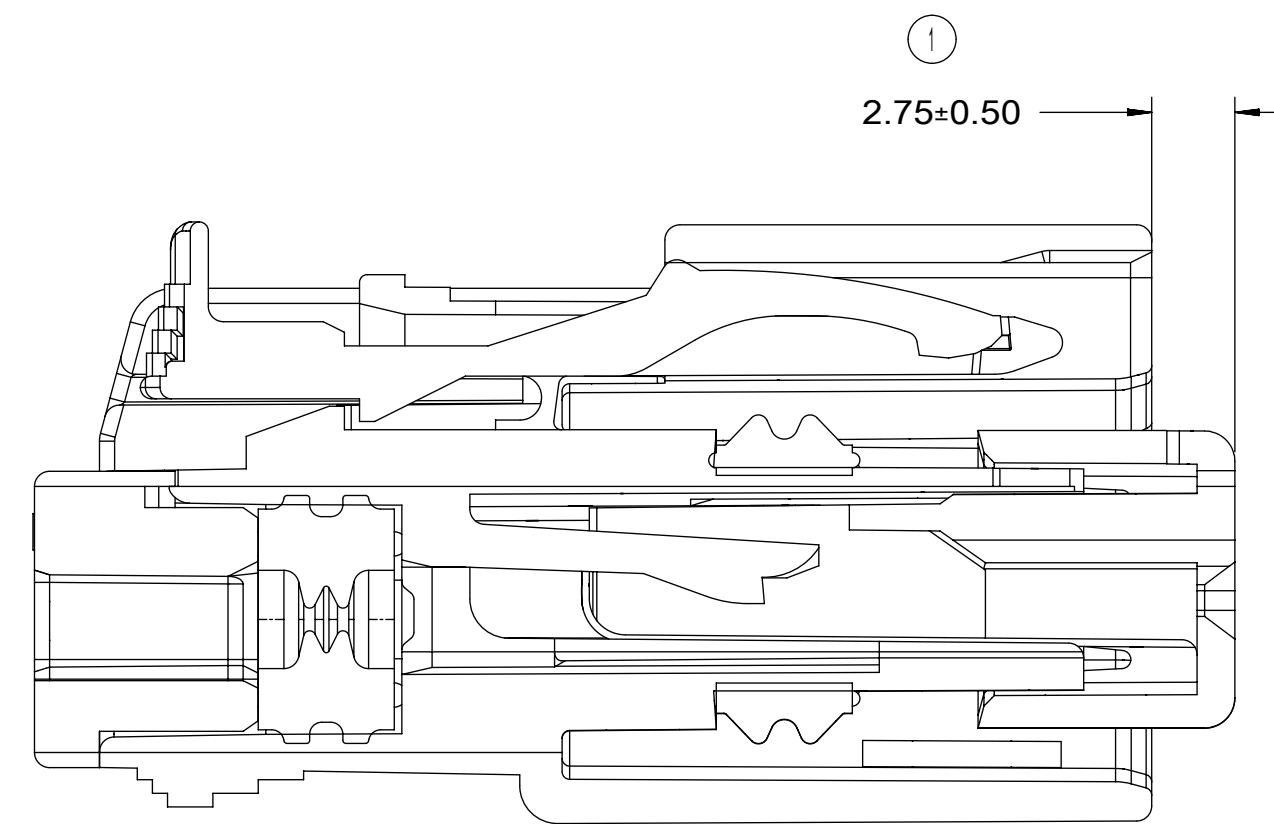
| | | | |
|--|---|------------------------|--|
| FUNCTIONAL SYMBOLS | THIS DRAWING CONTAINS INFORMATION THAT IS PROPRIETARY TO MOLEX ELECTRONIC TECHNOLOGIES, LLC AND SHOULD NOT BE USED WITHOUT WRITTEN PERMISSION | | |
| | DIMENSION UNITS | SCALE | CURRENT REV DESC: SEE REVISION TABLE |
| $\nabla_A = 0$ | mm | 4:1 | EC NO: 669011 DRWN: SCV 2021/07/02 CHK'D: GGA 2021/07/08 APPR: GGA 2021/07/08 INITIAL REVISION: DRWN: DGRIFITHS 2005/08/26 APPR: smarceau 2005/08/29 |
| $\nabla_C = 0$ | GENERAL TOLERANCES (UNLESS SPECIFIED) | | |
| $\nabla_D = 0$ | ANGULAR TOL $\pm 3.0^\circ$ | | |
| DIVISIONAL SYMBOLS | 4 PLACES | \pm | |
| | 3 PLACES | \pm | |
| | 2 PLACES | ± 0.1 | |
| | 1 PLACE | ± 0.3 | |
| | 0 PLACES | \pm | |
| DRAFT WHERE APPLICABLE MUST REMAIN WITHIN DIMENSIONS | | THIRD ANGLE PROJECTION | DRAWING SERIES D-SIZE 33471 |
| DOCUMENT NUMBER | | DOC TYPE | DOC PART |
| SD-33471-061 | | PSD | 001 |
| REVISION | | U5 | |
| MATERIAL NUMBER | | CUSTOMER | SHEET NUMBER |
| SEE TABLE | | GENERAL MARKET | 2 OF 6 |

SHEET DESCRIPTION
RCPT CONNECTOR ASSY

LASER MARKING THIS SURFACE
SEE NOTE 3g.

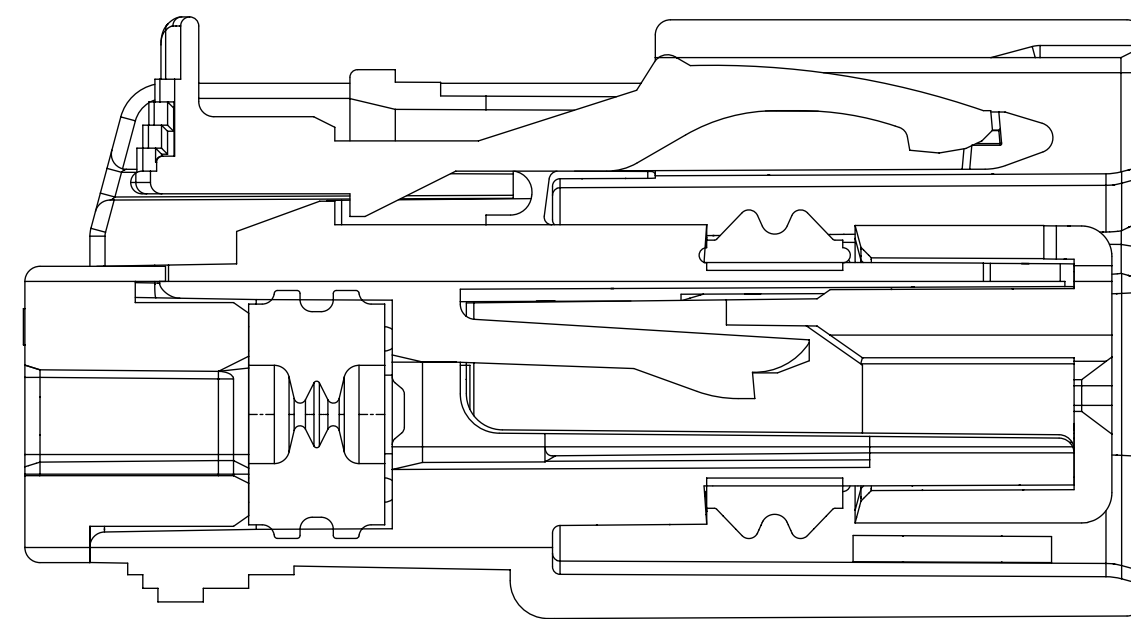


Bottom1



PRIMARY LOCK REINFORCEMENT (PLR) SHOWN
IN PRE-STAGED POSITION

SECTION Z-Z



PRIMARY LOCK REINFORCEMENT (PLR) SHOWN
IN FINAL-LOCK POSITION

SECTION Y-Y

| | | | | |
|--|---|-------------------|--------------------------------------|----------------|
| FUNCTIONAL SYMBOLS FA = 0 FE = 0 FP = 0 DIVISIONAL SYMBOLS | THIS DRAWING CONTAINS INFORMATION THAT IS PROPRIETARY TO MOLEX ELECTRONIC TECHNOLOGIES, LLC AND SHOULD NOT BE USED WITHOUT WRITTEN PERMISSION | | CURRENT REV DESC: SEE REVISION TABLE | |
| | DIMENSION UNITS | SCALE | | |
| | mm | 4:1 | | |
| | GENERAL TOLERANCES (UNLESS SPECIFIED) | | | |
| ANGULAR TOL ± 3.0° | | | | |
| 4 PLACES ± | | EC NO: 669011 | | |
| 3 PLACES ± | | DRWN: SCV | 2021/07/02 | |
| 2 PLACES ± 0.1 | | CHK'D: GGA | 2021/07/08 | |
| 1 PLACE ± 0.3 | | APPR: GGA | 2021/07/08 | |
| 0 PLACES ± | | INITIAL REVISION: | | |
| DRAFT WHERE APPLICABLE MUST REMAIN WITHIN DIMENSIONS | | DRWN: DGRIFITHS | 2005/08/26 | |
| THIRD ANGLE PROJECTION | | APPR: smarceau | 2005/08/29 | |
| D-DRAWING | | SERIES | MATERIAL NUMBER | CUSTOMER |
| D-SIZE | | 33471 | SEE TABLE | GENERAL MARKET |
| | | | | SHEET NUMBER |
| | | | | 3 OF 6 |

molex

MX150 1X6 RECEPTACLE
SEALED ASSEMBLY MAT SEAL

PRODUCT CUSTOMER DRAWING

| | | | |
|-----------------|----------|----------|----------|
| DOCUMENT NUMBER | DOC TYPE | DOC PART | REVISION |
| SD-33471-061 | PSD | 001 | U5 |

SHEET DESCRIPTION

BOM SHEET 1

| ASSEMBLY PART NUMBER | COLOR | KEYING OPTION | CAVITY TYPE & STATUS (NUMBER PRESENT = PLUGGED) | | | | | | CPA | STATUS | COMMENTS | |
|----------------------|------------|---------------|---|---|---|---|---|---|-----|----------------------|----------------------|--|
| | | | 1 | 2 | 3 | 4 | 5 | 6 | | | | |
| 33471-0601 | BLACK | A | | | | | | | --- | PLANNED OBSOLESCENCE | | |
| 33471-0602 | LT.GRAY | B | | | | | | | --- | PLANNED OBSOLESCENCE | | |
| 33471-0603 | BROWN | C | | | | | | | --- | NOT RECOMMENDED | SEE P/N 33471-0659 | |
| 33471-0604 | GREEN | D | | | | | | | --- | NOT RECOMMENDED | SEE P/N 33471-0660 | |
| 33471-0605 | YELLOW | A | | | | | | | --- | PLANNED OBSOLESCENCE | | |
| 33471-0606 | BLACK | A | | | | | | | YES | PLANNED OBSOLESCENCE | | |
| 33471-0607 | LT.GRAY | B | | | | | | | YES | PLANNED OBSOLESCENCE | | |
| 33471-0608 | BROWN | C | | | | | | | YES | NOT RECOMMENDED | SEE P/N 33471-0661 | |
| 33471-0609 | GREEN | D | | | | | | | YES | NOT RECOMMENDED | SEE P/N 33471-0662 | |
| 33471-0610 | YELLOW | A | | | | | | | YES | PLANNED OBSOLESCENCE | | |
| 33471-0611 | BLACK | A | | | | | | 6 | --- | PLANNED OBSOLESCENCE | | |
| 33471-0612 | LT.GRAY | B | | | | | | 6 | --- | PLANNED OBSOLESCENCE | | |
| 33471-0613 | BROWN | C | | | | | | 6 | --- | NOT RECOMMENDED | SEE P/N 33471-0663 | |
| 33471-0614 | GREEN | D | | | | | | 6 | --- | NOT RECOMMENDED | SEE P/N 33471-0664 | |
| 33471-0615 | YELLOW | A | | | | | | 6 | --- | PLANNED OBSOLESCENCE | | |
| 33471-0616 | BLACK | A | | | | | | 6 | YES | PLANNED OBSOLESCENCE | | |
| 33471-0617 | LT.GRAY | B | | | | | | 6 | YES | PLANNED OBSOLESCENCE | | |
| 33471-0618 | BROWN | C | | | | | | 6 | YES | NOT RECOMMENDED | SEE P/N 33471-0665 | |
| 33471-0619 | GREEN | D | | | | | | 6 | YES | NOT RECOMMENDED | SEE P/N 33471-0666 | |
| 33471-0620 | YELLOW | A | | | | | | 6 | YES | PLANNED OBSOLESCENCE | | |
| 33471-0621 | BLACK | A | 1 | | | | | 6 | --- | PLANNED OBSOLESCENCE | | |
| 33471-0622 | LT.GRAY | B | 1 | | | | | 6 | --- | PLANNED OBSOLESCENCE | | |
| 33471-0623 | BROWN | C | 1 | | | | | 6 | --- | NOT RECOMMENDED | SEE P/N 33471-0667 | |
| 33471-0624 | GREEN | D | 1 | | | | | 6 | --- | NOT RECOMMENDED | SEE P/N 33471-0668 | |
| 33471-0625 | YELLOW | A | 1 | | | | | 6 | --- | PLANNED OBSOLESCENCE | | |
| 33471-0626 | BLACK | A | 1 | | | | | 6 | YES | PLANNED OBSOLESCENCE | | |
| 33471-0627 | LT.GRAY | B | 1 | | | | | 6 | YES | PLANNED OBSOLESCENCE | | |
| 33471-0628 | BROWN | C | 1 | | | | | 6 | YES | NOT RECOMMENDED | SEE P/N 33471-0669 | |
| 33471-0629 | GREEN | D | 1 | | | | | 6 | YES | NOT RECOMMENDED | SEE P/N 33471-0670 | |
| 33471-0630 | YELLOW | A | 1 | | | | | 6 | YES | PLANNED OBSOLESCENCE | | |
| 33471-0631 | BLACK | A | 1 | 2 | 3 | 4 | 5 | 6 | --- | PLANNED OBSOLESCENCE | | |
| 33471-0632 | LT.GRAY | B | 1 | 2 | 3 | 4 | 5 | 6 | --- | PLANNED OBSOLESCENCE | | |
| 33471-0633 | BROWN | C | 1 | 2 | 3 | 4 | 5 | 6 | --- | NOT RECOMMENDED | SEE P/N 33471-0671 | |
| 33471-0634 | GREEN | D | 1 | 2 | 3 | 4 | 5 | 6 | --- | NOT RECOMMENDED | SEE P/N 33471-0672 | |
| 33471-0635 | YELLOW | A | 1 | 2 | 3 | 4 | 5 | 6 | --- | PLANNED OBSOLESCENCE | | |
| 33471-0650 | BLACK | A | | | | | | 5 | 6 | --- | PLANNED OBSOLESCENCE | |
| 33471-0651 | BLACK | A | 1 | 2 | 3 | 4 | 5 | 6 | YES | PLANNED OBSOLESCENCE | | |
| 33471-0652 | BLACK | A | | | | | 4 | | YES | PLANNED OBSOLESCENCE | | |
| 33471-0653 | BLACK | A | | | 3 | | | | YES | PLANNED OBSOLESCENCE | | |
| 33471-0654 | BLACK | A | | | 3 | | | | --- | PLANNED OBSOLESCENCE | | |
| 33471-0655 | BLACK | A | | | 3 | 4 | 5 | | --- | PLANNED OBSOLESCENCE | | |
| 33471-0656 | BLACK | A | | | | | | 5 | --- | PLANNED OBSOLESCENCE | | |
| 33471-0657 | BLACK | A | | | | | 4 | | --- | PLANNED OBSOLESCENCE | | |
| 33471-0658 | BLACK | A | 1 | 2 | 3 | 4 | | | --- | PLANNED OBSOLESCENCE | | |
| 33471-0659 | DARK GRAY | C | | | | | | | --- | PLANNED OBSOLESCENCE | | |
| 33471-0660 | STONE GRAY | D | | | | | | | --- | PLANNED OBSOLESCENCE | | |
| 33471-0661 | DARK GRAY | C | | | | | | | YES | PLANNED OBSOLESCENCE | | |
| 33471-0662 | STONE GRAY | D | | | | | | | YES | PLANNED OBSOLESCENCE | | |
| 33471-0663 | DARK GRAY | C | | | | | | 6 | --- | PLANNED OBSOLESCENCE | | |
| 33471-0664 | STONE GRAY | D | | | | | | 6 | --- | PLANNED OBSOLESCENCE | | |
| 33471-0665 | DARK GRAY | C | | | | | | 6 | YES | PLANNED OBSOLESCENCE | | |
| 33471-0666 | STONE GRAY | D | | | | | | 6 | YES | PLANNED OBSOLESCENCE | | |
| 33471-0667 | DARK GRAY | C | 1 | | | | | 6 | --- | PLANNED OBSOLESCENCE | | |
| 33471-0668 | STONE GRAY | D | 1 | | | | | 6 | --- | PLANNED OBSOLESCENCE | | |
| 33471-0669 | DARK GRAY | C | 1 | | | | | 6 | YES | PLANNED OBSOLESCENCE | | |
| 33471-0670 | STONE GRAY | D | 1 | | | | | 6 | YES | PLANNED OBSOLESCENCE | | |
| 33471-0671 | DARK GRAY | C | 1 | 2 | 3 | 4 | 5 | 6 | --- | PLANNED OBSOLESCENCE | | |
| 33471-0672 | STONE GRAY | D | 1 | 2 | 3 | 4 | 5 | 6 | --- | PLANNED OBSOLESCENCE | | |
| 33471-0673 | BLACK | A | | | | | | 6 | --- | PLANNED OBSOLESCENCE | | |
| 33471-0674 | BLACK | A | | 2 | | | | | --- | PLANNED OBSOLESCENCE | | |
| 33471-0675 | BLACK | A | 1 | | 3 | | | 5 | YES | PLANNED OBSOLESCENCE | | |
| 33471-0676 | BLACK | A | 1 | | | | | | --- | PLANNED OBSOLESCENCE | | |
| 33471-0677 | BLACK | A | | 2 | 3 | 4 | | | --- | PLANNED OBSOLESCENCE | | |
| 33471-0678 | BLACK | A | | | | 4 | 5 | | --- | PLANNED OBSOLESCENCE | | |

| | | | | |
|--|---|------------------------|--------------------------------------|----------------|
| FUNCTIONAL SYMBOLS | THIS DRAWING CONTAINS INFORMATION THAT IS PROPRIETARY TO MOLEX ELECTRONIC TECHNOLOGIES, LLC AND SHOULD NOT BE USED WITHOUT WRITTEN PERMISSION | | CURRENT REV DESC: SEE REVISION TABLE | |
| | DIMENSION UNITS | SCALE | | |
| $F_A = 0$ | mm | 1:1 | | |
| $F_C = 0$ | GENERAL TOLERANCES (UNLESS SPECIFIED) | | | |
| | ANGULAR TOL | ± 3.0° | | |
| $F_P = 0$ | 4 PLACES | ± | | |
| | 3 PLACES | ± | | |
| DIVISIONAL SYMBOLS | 2 PLACES | ± 0.1 | | |
| | 1 PLACE | ± 0.3 | | |
| | 0 PLACES | ± | | |
| DRAFT WHERE APPLICABLE MUST REMAIN WITHIN DIMENSIONS | | THIRD ANGLE PROJECTION | DRAWING | SERIES |
| | | | D-SIZE | 33471 |
| | | MATERIAL NUMBER | | CUSTOMER |
| | | SEE TABLE | | GENERAL MARKET |
| | | DOCUMENT NUMBER | | DOC TYPE |
| | | SD-33471-061 | | PSD |
| | | DOC PART | | REVISION |
| | | 001 | | U5 |
| | | SHEET NUMBER | | |
| | | 4 OF 6 | | |

molex

MX150 1X6 RECEPTACLE SEALED ASSEMBLY MAT SEAL

PRODUCT CUSTOMER DRAWING

EC NO: 669011
 DRWN: SCV 2021/07/02
 CHK'D: GGA 2021/07/08
 APPR: GGA 2021/07/08

INITIAL REVISION:
 DRWN: DGRIFITHS 2005/08/26
 APPR: smarceau 2005/08/29

SHEET DESCRIPTION
BOM SHEET 2

| ASSEMBLY PART NUMBER | COLOR | KEYING OPTION | CAVITY TYPE & STATUS (NUMBER PRESENT = PLUGGED) | | | | | | CPA | STATUS | COMMENTS |
|----------------------|-------|---------------|---|---|---|---|---|---|-----|----------------------|----------|
| | | | 1 | 2 | 3 | 4 | 5 | 6 | | | |
| 33471-6601 | BLACK | A | | | | | | | — | PLANNED OBSOLESCENCE | |
| 33471-6606 | BLACK | A | | | | | | | YES | PLANNED OBSOLESCENCE | |

| | | | | | | | |
|--|---|---------------------------|--------------------------------------|----------------|---|----------|----------|
| FUNCTIONAL SYMBOLS FA = 0 FC = 0 FP = 0 DIVISIONAL SYMBOLS | THIS DRAWING CONTAINS INFORMATION THAT IS PROPRIETARY TO MOLEX ELECTRONIC TECHNOLOGIES, LLC AND SHOULD NOT BE USED WITHOUT WRITTEN PERMISSION | | CURRENT REV DESC: SEE REVISION TABLE | | MX150 1X6 RECEPTACLE SEALED ASSEMBLY MAT SEAL PRODUCT CUSTOMER DRAWING | | |
| | DIMENSION UNITS | SCALE | EC NO: 669011 | | | | |
| | mm | 1:1 | DRWN: SCV 2021/07/02 | | | | |
| | GENERAL TOLERANCES (UNLESS SPECIFIED) | | CHK'D: GGA 2021/07/08 | | | | |
| | ANGULAR TOL ± 3.0° | | APPR: GGA 2021/07/08 | | | | |
| | 4 PLACES | ± | INITIAL REVISION: | | | | |
| | 3 PLACES | ± | DRWN: DGRIFITHS 2005/08/26 | | | | |
| 2 PLACES | ± 0.1 | APPR: smarceau 2005/08/29 | | | | | |
| 1 PLACE | ± 0.3 | DOCUMENT NUMBER | | | | | |
| 0 PLACES | ± | SD-33471-061 | | | | | |
| DRAFT WHERE APPLICABLE MUST REMAIN WITHIN DIMENSIONS | | THIRD ANGLE PROJECTION | DRAWING | SERIES | DOC TYPE | DOC PART | REVISION |
| | | | D-SIZE | 33471 | PSD | 001 | U5 |
| | | | SEE TABLE | GENERAL MARKET | SHEET NUMBER | | |
| | | | | | 5 OF 6 | | |

SHEET DESCRIPTION

BOM SHEET 3

| ASSEMBLY PART NUMBER | COLOR | KEYING OPTION | CAVITY TYPE & STATUS (NUMBER PRESENT = PLUGGED) | | | | | | CPA | STATUS | COMMENTS |
|----------------------|------------|---------------|---|---|---|---|---|---|-----|-----------------|--------------------|
| | | | 1 | 2 | 3 | 4 | 5 | 6 | | | |
| 33471-6001 | BLACK | A | | | | | | | --- | SALEABLE | |
| 33471-6002 | LT.GRAY | B | | | | | | | --- | SALEABLE | |
| 33471-6003 | BROWN | C | | | | | | | --- | NOT RECOMMENDED | SEE P/N 33471-6059 |
| 33471-6004 | GREEN | D | | | | | | | --- | NOT RECOMMENDED | SEE P/N 33471-6060 |
| 33471-6005 | YELLOW | A | | | | | | | --- | SALEABLE | |
| 33471-6006 | BLACK | A | | | | | | | YES | SALEABLE | |
| 33471-6007 | LT.GRAY | B | | | | | | | YES | SALEABLE | |
| 33471-6008 | BROWN | C | | | | | | | YES | NOT RECOMMENDED | SEE P/N 33471-6061 |
| 33471-6009 | GREEN | D | | | | | | | YES | NOT RECOMMENDED | SEE P/N 33471-6062 |
| 33471-6010 | YELLOW | A | | | | | | | YES | SALEABLE | |
| 33471-6011 | BLACK | A | | | | | | | 6 | --- | SALEABLE |
| 33471-6012 | LT.GRAY | B | | | | | | | 6 | --- | SALEABLE |
| 33471-6015 | YELLOW | A | | | | | | | 6 | --- | SALEABLE |
| 33471-6016 | BLACK | A | | | | | | | 6 | YES | SALEABLE |
| 33471-6017 | LT.GRAY | B | | | | | | | 6 | YES | SALEABLE |
| 33471-6020 | YELLOW | A | | | | | | | 6 | YES | SALEABLE |
| 33471-6021 | BLACK | A | 1 | | | | | | 6 | --- | SALEABLE |
| 33471-6022 | LT.GRAY | B | 1 | | | | | | 6 | --- | SALEABLE |
| 33471-6025 | YELLOW | A | 1 | | | | | | 6 | --- | SALEABLE |
| 33471-6026 | BLACK | A | 1 | | | | | | 6 | YES | SALEABLE |
| 33471-6027 | LT.GRAY | B | 1 | | | | | | 6 | YES | SALEABLE |
| 33471-6030 | YELLOW | A | 1 | | | | | | 6 | YES | SALEABLE |
| 33471-6031 | BLACK | A | 1 | 2 | 3 | 4 | 5 | 6 | --- | SALEABLE | |
| 33471-6032 | LT.GRAY | B | 1 | 2 | 3 | 4 | 5 | 6 | --- | SALEABLE | |
| 33471-6035 | YELLOW | A | 1 | 2 | 3 | 4 | 5 | 6 | --- | SALEABLE | |
| 33471-6050 | BLACK | A | | | | | | 5 | 6 | --- | SALEABLE |
| 33471-6051 | BLACK | A | 1 | 2 | 3 | 4 | 5 | 6 | YES | SALEABLE | |
| 33471-6052 | BLACK | A | | | | 4 | | | YES | SALEABLE | |
| 33471-6053 | BLACK | A | | | 3 | | | | YES | SALEABLE | |
| 33471-6054 | BLACK | A | | | 3 | | | | --- | SALEABLE | |
| 33471-6055 | BLACK | A | | | 3 | 4 | 5 | | --- | SALEABLE | |
| 33471-6056 | BLACK | A | | | | | 5 | | --- | SALEABLE | |
| 33471-6057 | BLACK | A | | | | 4 | | | --- | SALEABLE | |
| 33471-6058 | BLACK | A | 1 | 2 | 3 | 4 | | | --- | SALEABLE | |
| 33471-6059 | DARK GRAY | C | | | | | | | --- | SALEABLE | |
| 33471-6060 | STONE GRAY | D | | | | | | | --- | SALEABLE | |
| 33471-6061 | DARK GRAY | C | | | | | | | YES | SALEABLE | |
| 33471-6062 | STONE GRAY | D | | | | | | | YES | SALEABLE | |
| 33471-6063 | DARK GRAY | C | | | | | | 6 | --- | SALEABLE | |
| 33471-6064 | STONE GRAY | D | | | | | | 6 | --- | SALEABLE | |
| 33471-6065 | DARK GRAY | C | | | | | | 6 | YES | SALEABLE | |
| 33471-6066 | STONE GRAY | D | | | | | | 6 | YES | SALEABLE | |
| 33471-6067 | DARK GRAY | C | 1 | | | | | 6 | --- | SALEABLE | |
| 33471-6068 | STONE GRAY | D | 1 | | | | | 6 | --- | SALEABLE | |
| 33471-6069 | DARK GRAY | C | 1 | | | | | 6 | YES | SALEABLE | |
| 33471-6070 | STONE GRAY | D | 1 | | | | | 6 | YES | SALEABLE | |
| 33471-6071 | DARK GRAY | C | 1 | 2 | 3 | 4 | 5 | 6 | --- | SALEABLE | |
| 33471-6072 | STONE GRAY | D | 1 | 2 | 3 | 4 | 5 | 6 | --- | SALEABLE | |
| 33471-6073 | BLACK | A | | | 3 | | | 6 | --- | SALEABLE | |
| 33471-6074 | BLACK | A | | 2 | | | | 6 | --- | SALEABLE | |
| 33471-6075 | BLACK | A | 1 | | 3 | | 5 | | YES | SALEABLE | |
| 33471-6076 | BLACK | A | 1 | | | | | | --- | SALEABLE | |
| 33471-6077 | BLACK | A | | 2 | 3 | 4 | | | --- | SALEABLE | |
| 33471-6078 | BLACK | A | | | | 4 | 5 | | --- | SALEABLE | |
| 33471-6079 | BLACK | A | 1 | | | | | | YES | SALEABLE | |
| 33471-6080 | BLACK | A | | | 3 | 4 | | | YES | SALEABLE | |
| 33471-6081 | LT.GRAY | B | 1 | 2 | | | 5 | | YES | SALEABLE | |

| | | | | | |
|--|---|------------------------|--------------------------------------|--------|---------------------------------------|
| FUNCTIONAL SYMBOLS | THIS DRAWING CONTAINS INFORMATION THAT IS PROPRIETARY TO MOLEX ELECTRONIC TECHNOLOGIES, LLC AND SHOULD NOT BE USED WITHOUT WRITTEN PERMISSION | | CURRENT REV DESC: SEE REVISION TABLE | | |
| | DIMENSION UNITS | SCALE | | | |
| $F_A = 0$ | mm | 1:1 | | | |
| $F_C = 0$ | GENERAL TOLERANCES (UNLESS SPECIFIED) | | | | |
| | ANGULAR TOL | ± 3.0° | | | |
| DIVISIONAL SYMBOLS | 4 PLACES | ± | EC NO: 669011 | | |
| | 3 PLACES | ± | DRWN: SCV 2021/07/08 | | |
| | 2 PLACES | ± 0.1 | CHK'D: GGA 2021/07/08 | | |
| | 1 PLACE | ± 0.3 | APPR: GGA 2021/07/08 | | |
| | 0 PLACES | ± | INITIAL REVISION: | | |
| DRAFT WHERE APPLICABLE MUST REMAIN WITHIN DIMENSIONS | | THIRD ANGLE PROJECTION | DRAWING | SERIES | DOCUMENT NUMBER |
| | | | D-SIZE | 33471 | SD-33471-061 |
| | | | | | DOC TYPE DOC PART REVISION |
| | | | | | PSD 001 U5 |
| | | | | | MATERIAL NUMBER CUSTOMER SHEET NUMBER |
| | | | | | SEE TABLE GENERAL MARKET 6 OF 6 |

molex

MX150 1X6 RECEPTACLE SEALED ASSEMBLY MAT SEAL

PRODUCT CUSTOMER DRAWING

DOCUMENT NUMBER: SD-33471-061
 DOC TYPE: PSD
 DOC PART: 001
 REVISION: U5

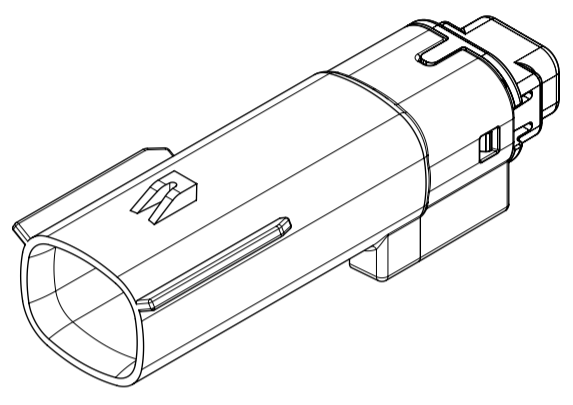
EC NO: 669011
 DRWN: SCV 2021/07/08
 CHK'D: GGA 2021/07/08
 APPR: GGA 2021/07/08
 INITIAL REVISION:
 DRWN: DGRIFITHS 2005/08/26
 APPR: smarceau 2005/08/29

| TABLE OF CONTENTS | |
|-------------------|--------------------------|
| SHEET NO. | SHEET DESCRIPTION |
| 1 | NOTES AND BOM |
| 2 | CONFIGURATIONS |
| 3-4 | KEY CONFIGURATIONS |
| 5 | BLADE SEALED ASSEMBLY |
| 6 | SYSTEM PACKAGING |
| 7 | BACKSHELL NOTES |
| 8 | BACKSHELL |
| 9 | BACKSHELL CONFIGURATIONS |

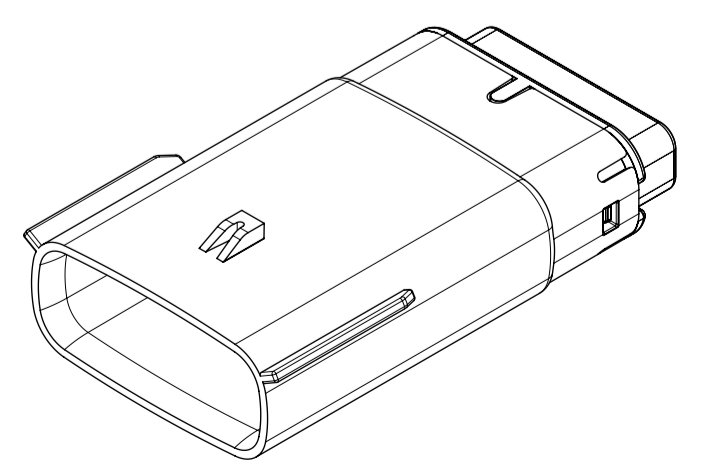
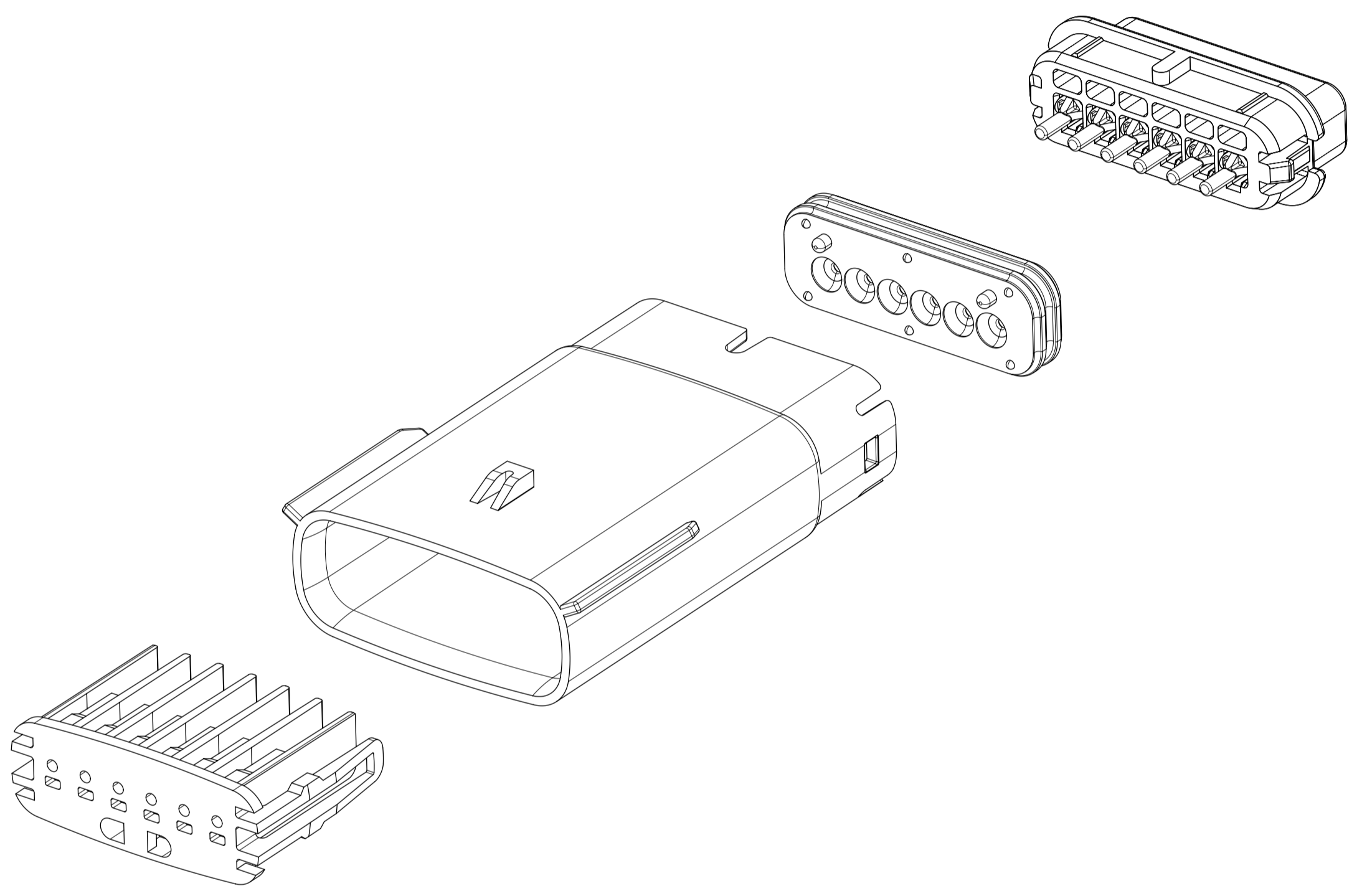
| MATING CONNECTOR DRAWINGS | |
|---------------------------|---------------|
| DESCRIPTION | MOLEX INLINE |
| 1X2 | SD-33471-0001 |
| | |
| | |
| | |
| 1X6 | SD-33471-0001 |

NOTES: VALID UNLESS OTHERWISE SPECIFIED

1. GENERAL:
- a. APPLICATION SPECIFICATION SEE: AS-33472-100
- CONTAINS: PRODUCT INTRODUCTION, PRODUCT SUMMARY, CONNECTOR ASSEMBLY, PACKAGING INFORMATION, CONNECTOR MATING, SERVICE INSTRUCTIONS, ELECTRICAL CONTINUITY CHECKING, CRIMPING, AND TROUBLESHOOTING.
 - DESIGNED TO MATE WITH RECEPTACLE SEALED ASSEMBLY AS SPECIFIED IN THE MATING CONNECTOR DRAWINGS CHART.
 - *DENOTES DRAWINGS THAT CAN BE ACCESSED AT <http://ewcap.uscarteams.org/>
 - ASSEMBLY SHIPPED WITH PLR IN PRE-LOCK POSITION (SEE PLR PRE-LOCK VIEW SHEET 5).
- b. PRODUCT SPECIFICATION SEE:
- STANDARD CONFIGURATION: PS-33471-000
 - UL V0 CONFIGURATION: PS-160105-0001
 - CONTAINS: PRODUCT INTRODUCTION, PRODUCT SUMMARY, RATINGS (CURRENT, TEMPERATURE, SEALING, AND FLAMMABILITY), TERMINALS, WIRE DIAMETER RANGE, PRODUCT VALIDATION, AND PRODUCT DEVIATIONS.
- c. PACKAGING SPECIFICATION PER MOLEX DRAWING: PK-31300-635 (PK-33471-000 FOR 1X5)
- d. PARTS MUST BE IN COMPLIANCE TO MOLEX CHEMICAL SUBSTANCES FOR PRODUCTS AND PACKAGING SPECIFICATION: QEHS-699000-300
- e. DATA MUST BE SUBMITTED UNDER THE MOLEX PART NUMBER TO IMDS (COMPANY ID#13255)
2. DESIGN - MATERIALS:
- a. FOR BILL OF MATERIALS SEE:
- STANDARD CONFIGURATION: SD-33481-0002
 - UL V0 CONFIGURATION: SD-160106-0002
3. DESIGN - GEOMETRY:
- a. THE 3-D CAD DATA IS BASIC (WITHOUT TOLERANCE) AND MASTER FOR THIS PART WITH THE EXCEPTION OF UNDERLINED DIMENSIONS. DIMENSIONAL INFORMATION NOT SHOWN ON THIS DRAWING IS DEFINED BY THE DATA FILE AT ITS LATEST REVISION.
- b. GEOMETRIC DIMENSIONS AND TOLERANCES PER ASME Y14.5M-2009
- c. EDGES AND UNDIMENSIONED DETAILS PER ISO13715
- d. CORNERS SHOWN AS SHARP TO BE R 0.2 MAX.
- e. LETTERING SHALL BE 0.15 MAX RAISED IN 0.25 MAX RECESS PAD. THIS INCLUDES RECYCLING CODE, CAVITY ID, VENDOR IDENTIFICATION, AND CUSTOMER MATERIAL NUMBER.
- f. VISUAL DEFECTS SHALL MEET COSMETIC STANDARD PS-45499-002 (Class B).
- g. LASER MARKING:
1. PART NUMBER
 2. DAY OF THE YEAR
 3. SHIFT
 4. YEAR
- FOR ADDITIONAL INFORMATION SEE SECTION 5 UNDER PROCEDURES IN ES-34735-008.



1X2

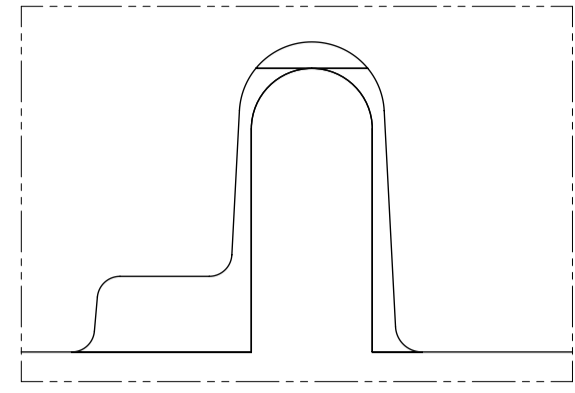


1X6

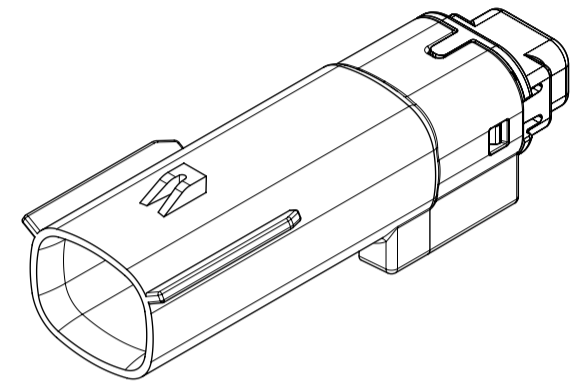
| INSPECTION NUMBER LOG | |
|-----------------------|--|
| LAST NUMBER: 9 | ADDED: |
| REMOVED: | REV |
| A1 | NX REMASTERING , CHANGE PS DRAWING NUMBER FROM PS-160105-0001 TO PS-160074-0001 IN NOTES 1.b |
| A | MINOR GEOMETRY CHANGE FOR UL V0 |
| 2 | UPDATED VIEWSETS |
| 1 | INITIAL RELEASE |
| REV | REV DESCRIPTION |

| | | | |
|--|---|--|---|
| SYMBOLS = 0 | THIS DRAWING CONTAINS INFORMATION THAT IS PROPRIETARY TO MOLEX ELECTRONIC TECHNOLOGIES, LLC AND SHOULD NOT BE USED WITHOUT WRITTEN PERMISSION DIMENSION UNITS: MM ONLY SCALE: 1.5:1 GENERAL TOLERANCES (UNLESS SPECIFIED) ANGULAR TOL ± 1.0° 4 PLACES ± 3 PLACES ± 2 PLACES ± 0.1 1 PLACE ± 0.2 0 PLACES ± DRAFT WHERE APPLICABLE MUST REMAIN WITHIN DIMENSIONS | CURRENT REV DESC: EC NO: 602373 DRWN: DSHETTY01 2018/05/25 CHK'D: MVANSLAMBROU 2018/10/04 APPR: MVANSLAMBROU 2018/10/04 INITIAL REVISION: DRWN: APROFFITT 2015/07/21 APPR: KDEKOSKI 2016/06/14 THIRD ANGLE PROJECTION DRAWING: A1-SIZE SERIES: 33481 | MX150 BLADE SINGLE ROW SEALED ASSY MAT SEAL PRODUCT CUSTOMER DRAWING DOCUMENT NUMBER: SD-33481-0001 DOC TYPE: PSD DOC PART: 001 REVISION: A1 MATERIAL NUMBER: SEE NOTE 2a. CUSTOMER: GENERAL MARKET SHEET NUMBER: 1 OF 9 |
|--|---|--|---|

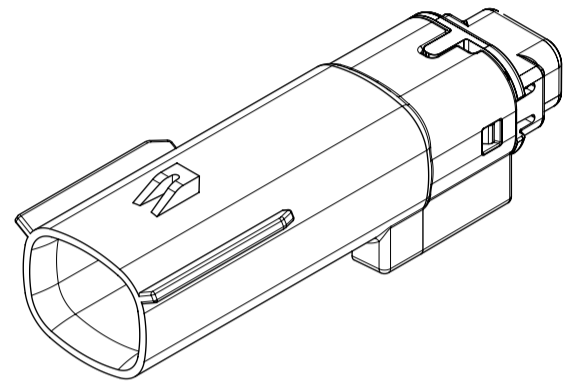
SHEET DESCRIPTION
CONFIGURATIONS



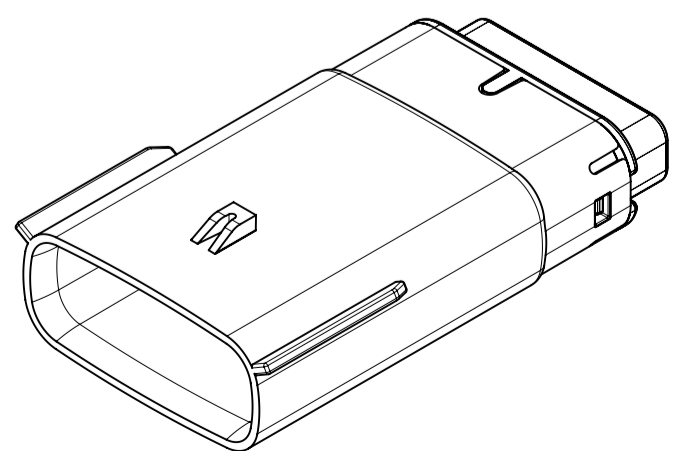
UL V0 UNIQUE FEATURE
Partial1
SCALE 10:1



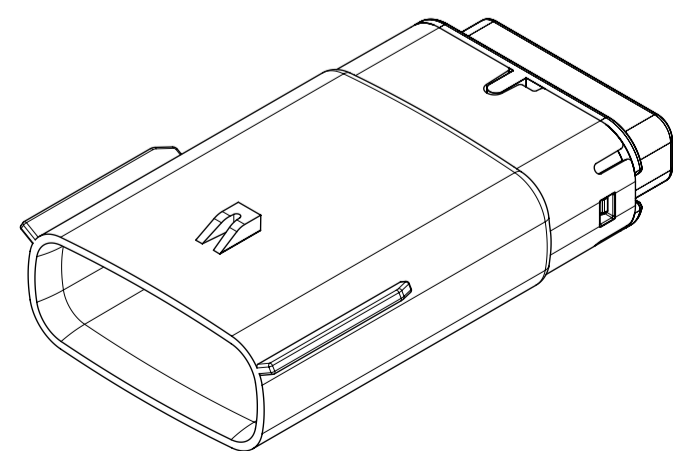
1x2 - STD



1X2 - UL V0*



1x6 - STD

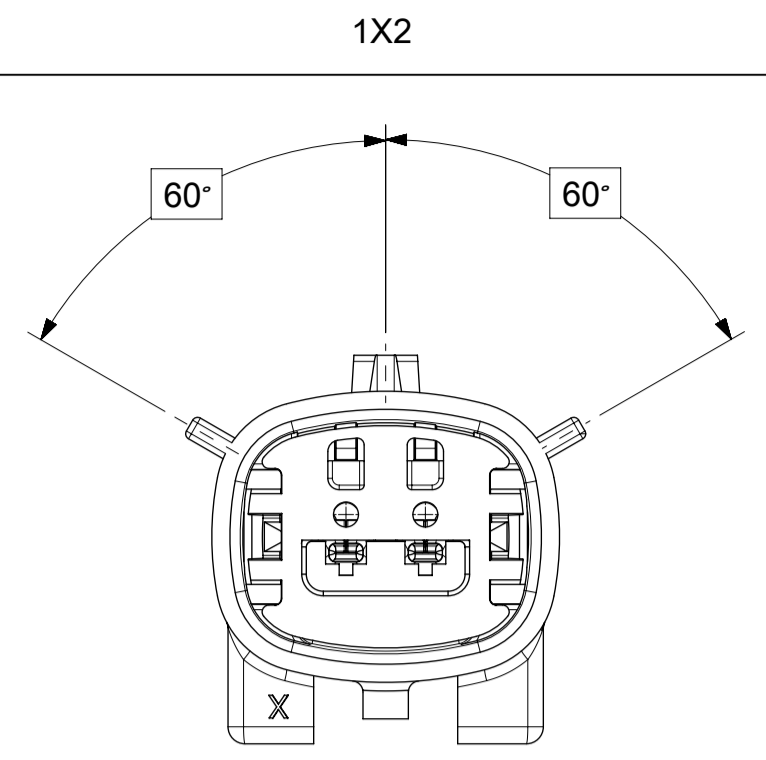


1x6 - UL V0*

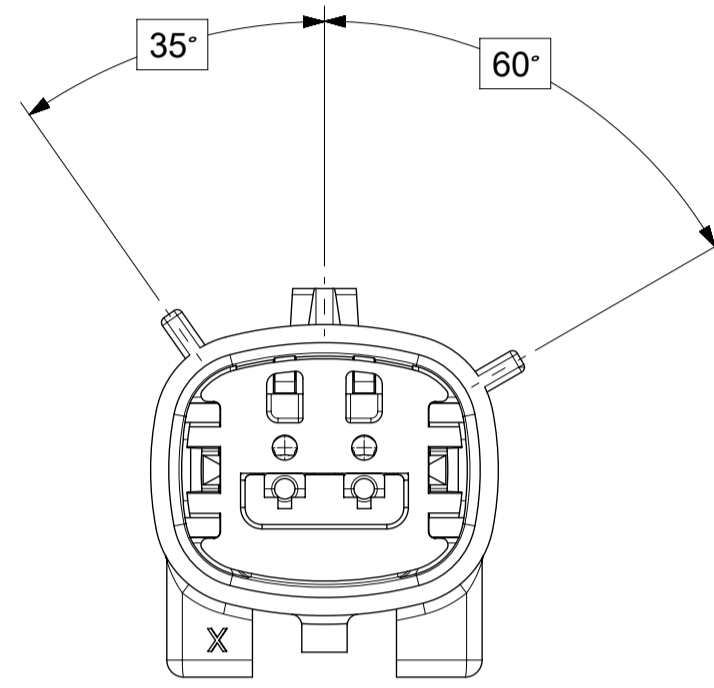
* MINOR GEOMETRY DIFFERENCE THAN STANDARD CONFIGURATION.
SEE NOTES 1 & 2 FOR MORE INFORMATION

| | | | | | | | |
|--|---|---------|--------------------------------|--------|--|-----|-----|
| SYMBOLS = 0 = 0 = 0 = 0 = 0 = 0 = 0 = 0 = 0 = 0 | THIS DRAWING CONTAINS INFORMATION THAT IS PROPRIETARY TO MOLEX ELECTRONIC TECHNOLOGIES, LLC AND SHOULD NOT BE USED WITHOUT WRITTEN PERMISSION | | CURRENT REV DESC: | | MX150 BLADE SINGLE ROW SEALED ASSY MAT SEAL | | |
| | DIMENSION UNITS | SCALE | EC NO: 602373 | | | | |
| | MM ONLY | 1.5:1 | DRWN: DSHETTY01 2018/05/25 | | SD-33481-0001 | PSD | 001 |
| | GENERAL TOLERANCES (UNLESS SPECIFIED) | | CHK'D: MVANSLAMBROU 2018/10/04 | | REVISION | | |
| | ANGULAR TOL ± 1.0° | | APPR: MVANSLAMBROU 2018/10/04 | | A1 | | |
| | INITIAL REVISION: | | DRWN: APROFFITT 2015/07/21 | | MATERIAL NUMBER | | |
| | 4 PLACES ± | | APPR: KDEKOSKI 2016/06/14 | | SEE NOTE 2a. | | |
| | 3 PLACES ± | | THIRD ANGLE PROJECTION | | CUSTOMER | | |
| | 2 PLACES ± 0.1 | | DRAWING | | GENERAL MARKET | | |
| | 1 PLACE ± 0.2 | | SERIES | | SHEET NUMBER | | |
| 0 PLACES ± | | A1-SIZE | | 2 OF 9 | | | |
| DRAFT WHERE APPLICABLE MUST REMAIN WITHIN DIMENSIONS | | 33481 | | | | | |

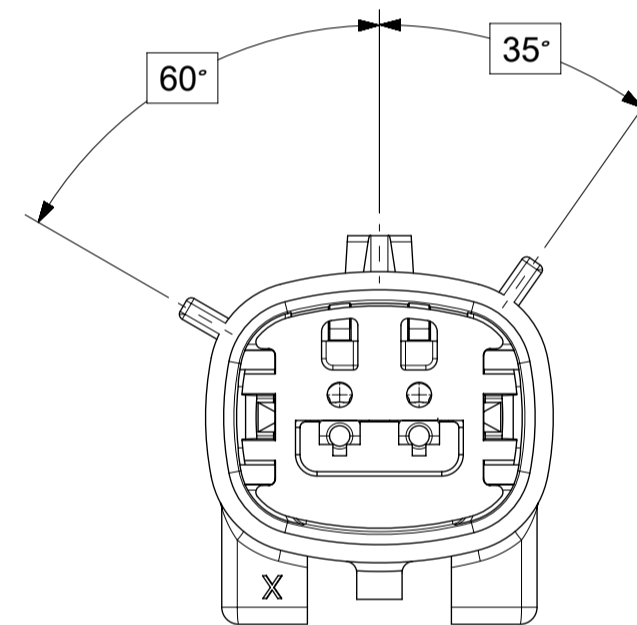
SHEET DESCRIPTION
KEY CONFIGURATIONS



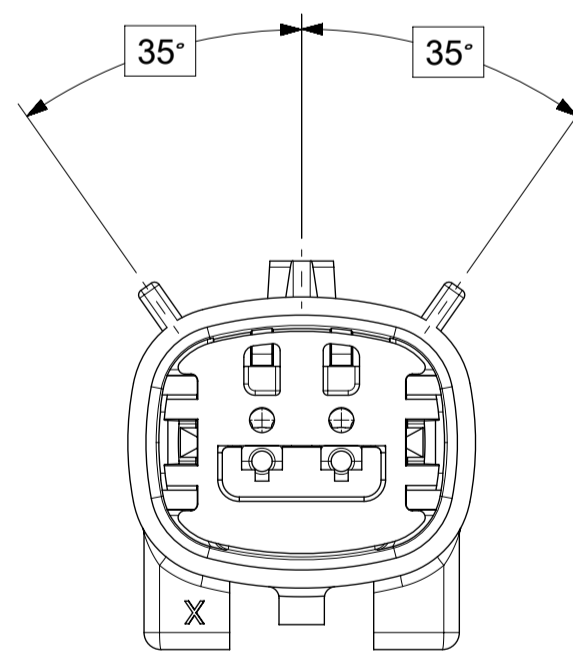
KEY A



KEY B



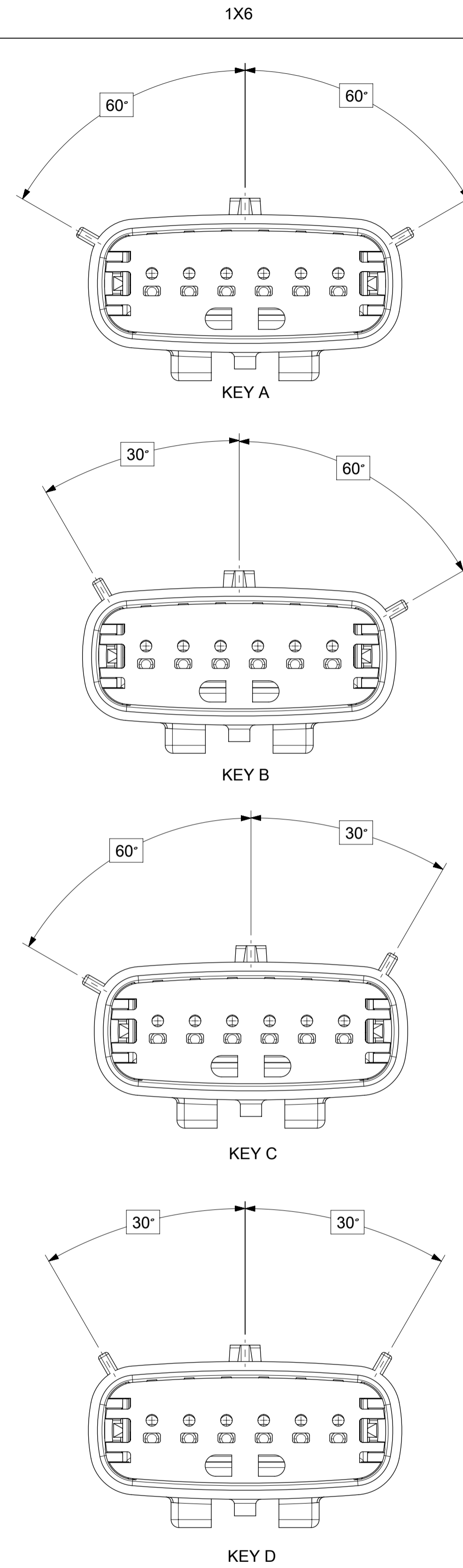
KEY C



KEY D

| | | | | | |
|---|---|---|---|--|--|
| SYMBOLS = 0 = 0 = 0 = 0 = 0 = 0 = 0 = 0 = 0 | THIS DRAWING CONTAINS INFORMATION THAT IS PROPRIETARY TO MOLEX ELECTRONIC TECHNOLOGIES, LLC AND SHOULD NOT BE USED WITHOUT WRITTEN PERMISSION DIMENSION UNITS: MM ONLY SCALE: 3:1 | CURRENT REV DESC: EC NO: 602373 DRWN: DSHETTY01 2018/05/25 CHK'D: MVANSLAMBROU 2018/10/04 APPR: MVANSLAMBROU 2018/10/04 | MX150 BLADE SINGLE ROW SEALED ASSY MAT SEAL | | |
| | GENERAL TOLERANCES (UNLESS SPECIFIED) ANGULAR TOL ± 1.0° 4 PLACES ± 3 PLACES ± 2 PLACES ± 0.1 1 PLACE ± 0.2 0 PLACES ± | INITIAL REVISION: DRWN: APROFFITT 2015/07/21 APPR: KDEKOSKI 2016/06/14 | | | |
| DRAFT WHERE APPLICABLE MUST REMAIN WITHIN DIMENSIONS | THIRD ANGLE PROJECTION | DRAWING: A1-SIZE SERIES: 33481 | MATERIAL NUMBER: SEE NOTE 2a. CUSTOMER: GENERAL MARKET SHEET NUMBER: 3 OF 9 | | |

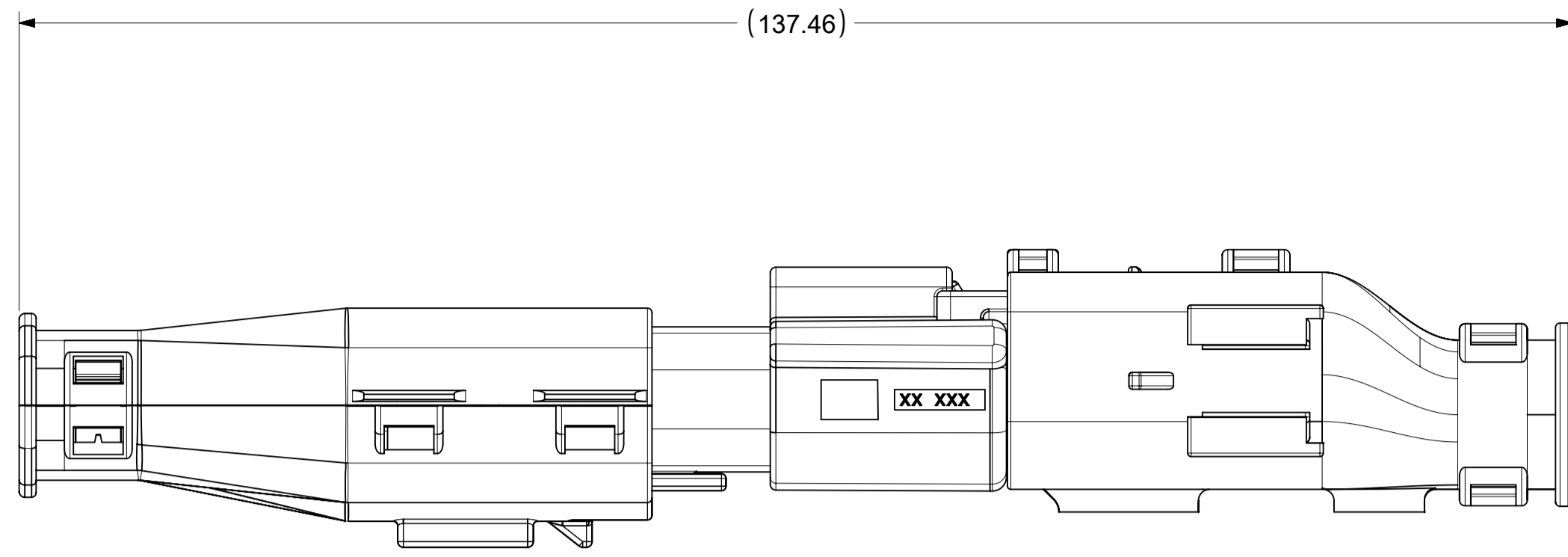
SHEET DESCRIPTION
KEY CONFIGURATIONS CONT.



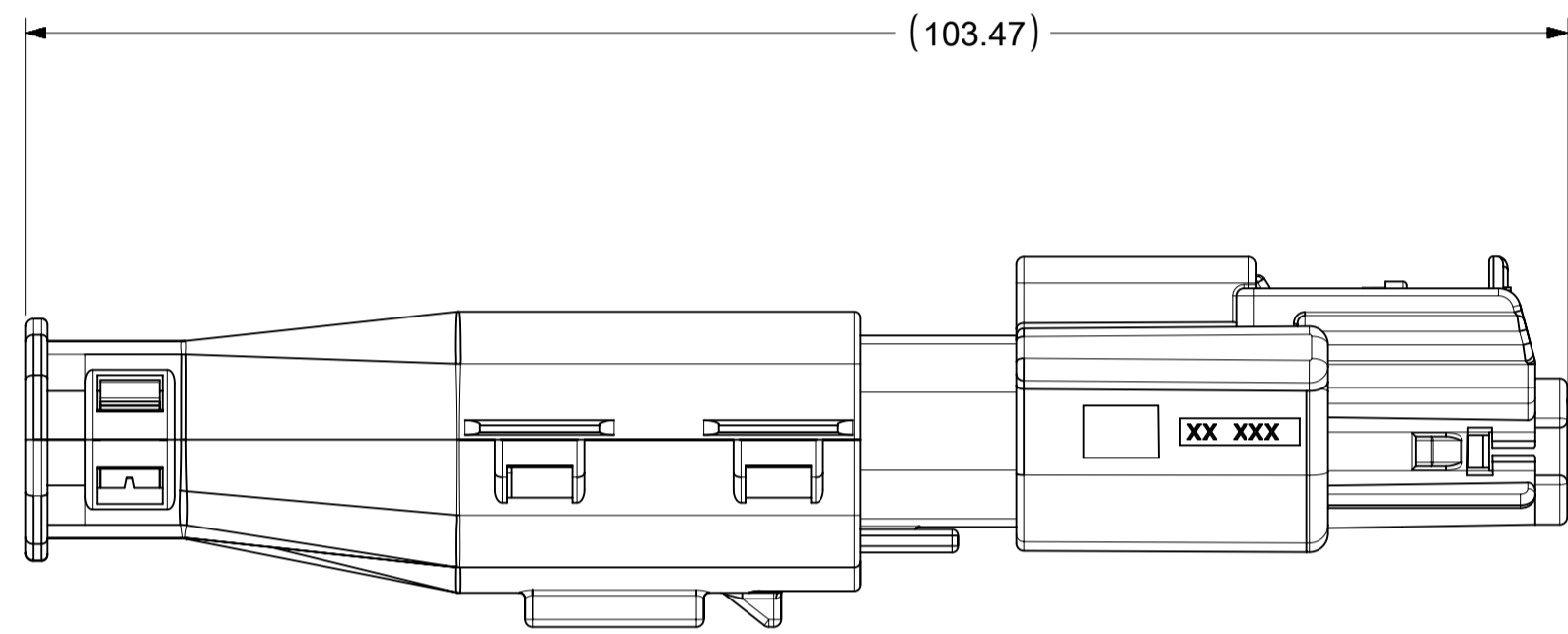
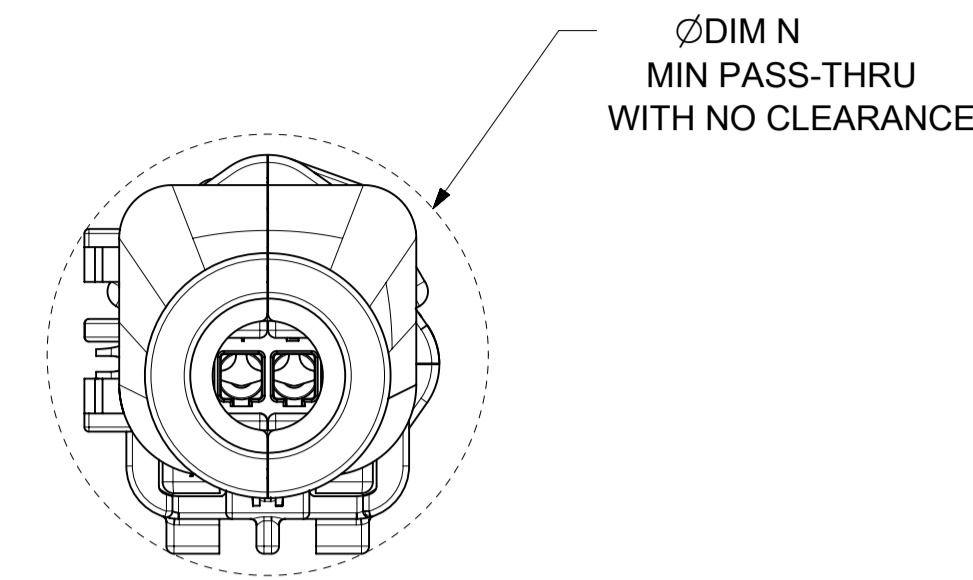
| | | | | | | | |
|--|---|---|--|----------------------|-------------------------------|--------------------------|----------------------|
| SYMBOLS = 0 = 0 = 0 = 0 = 0 = 0 | THIS DRAWING CONTAINS INFORMATION THAT IS PROPRIETARY TO MOLEX ELECTRONIC TECHNOLOGIES, LLC AND SHOULD NOT BE USED WITHOUT WRITTEN PERMISSION DIMENSION UNITS: MM ONLY SCALE: 3:1 | CURRENT REV DESC: EC NO: 602373 DRWN: DSHETTY01 2018/05/25 CHK'D: MVANSLAMBROU 2018/10/04 APPR: MVANSLAMBROU 2018/10/04 INITIAL REVISION: DRWN: APROFFITT 2015/07/21 APPR: KDEKOSKI 2016/06/14 | MX150 BLADE SINGLE ROW SEALED ASSY MAT SEAL | | | | |
| | GENERAL TOLERANCES (UNLESS SPECIFIED) ANGULAR TOL ± 1.0° 4 PLACES ± 3 PLACES ± 2 PLACES ± 0.1 1 PLACE ± 0.2 0 PLACES ± | | PRODUCT CUSTOMER DRAWING | | | | |
| DRAFT WHERE APPLICABLE MUST REMAIN WITHIN DIMENSIONS | | THIRD ANGLE PROJECTION | DRAWING: A1-SIZE | SERIES: 33481 | MATERIAL NUMBER: SEE NOTE 2a. | CUSTOMER: GENERAL MARKET | SHEET NUMBER: 4 OF 9 |

SHEET DESCRIPTION
BACKSHELL CONFIGURATIONS

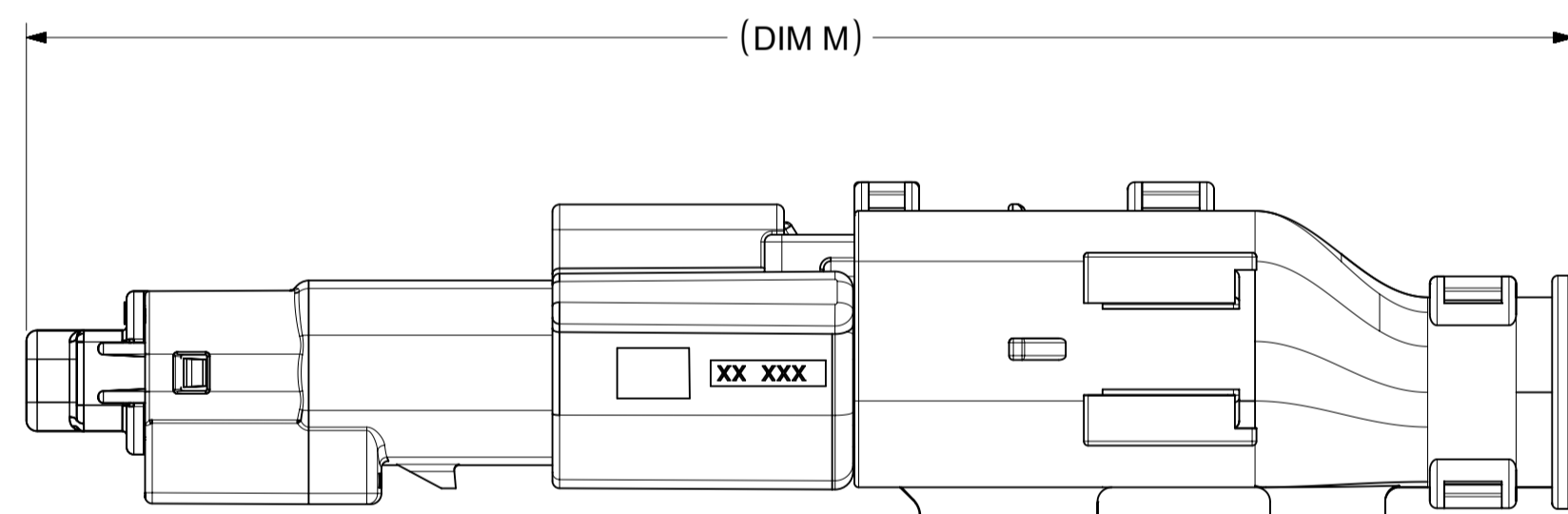
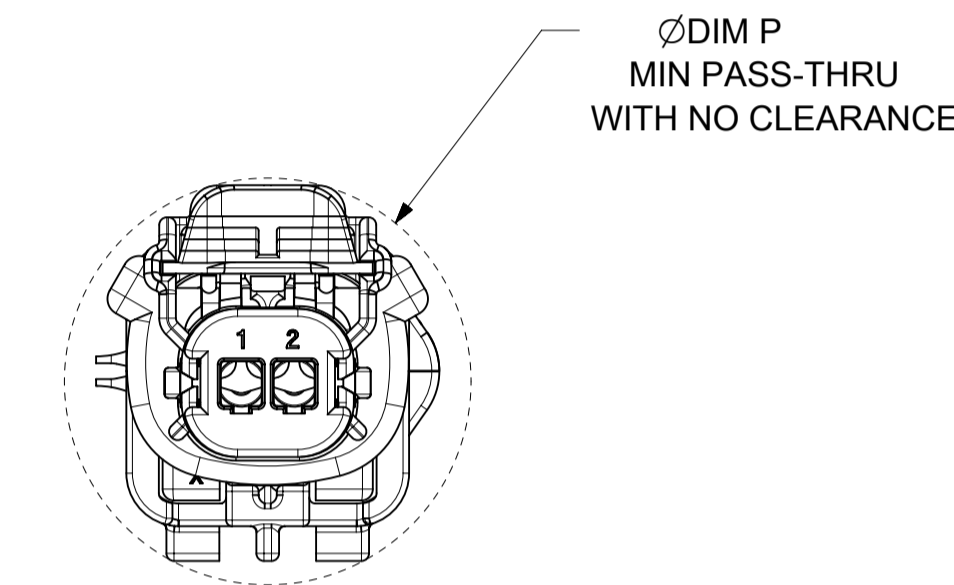
| CKT | BLADE CONFIGURATION | RECEPTACLE CONFIGURATION | DIMENSIONS | | | | |
|-----|---------------------|--------------------------|------------|-------|-------|-------|-------|
| | | | M | N | P | R | S |
| 1X2 | STANDARD | STANDARD | 107.84 | 29.50 | 27.00 | 26.25 | 25.00 |



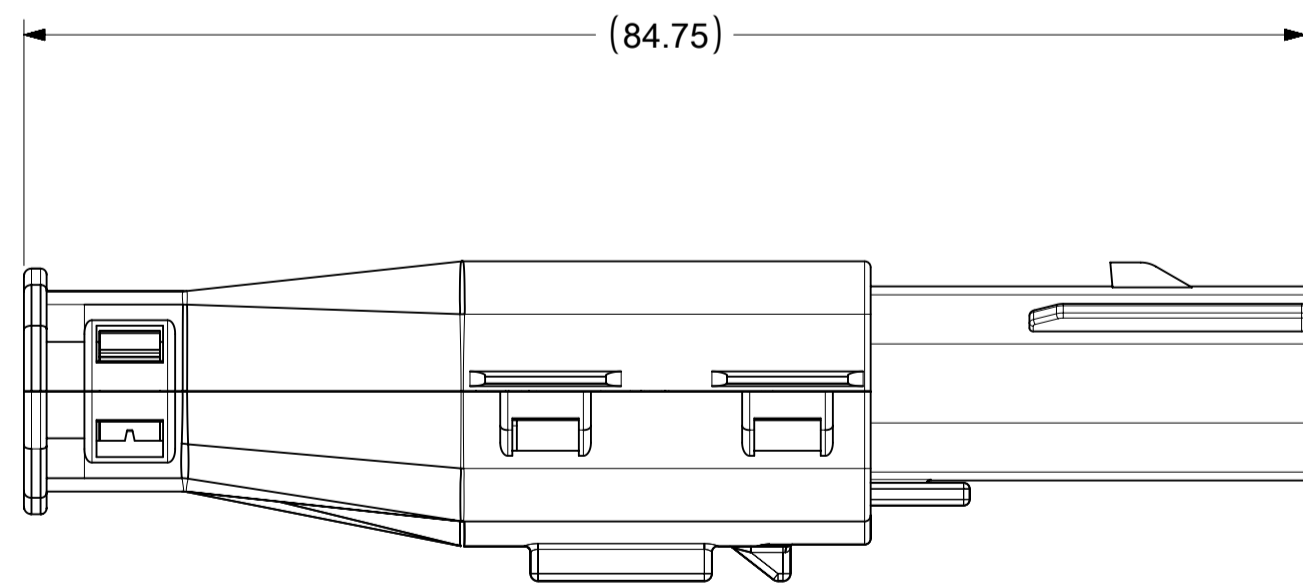
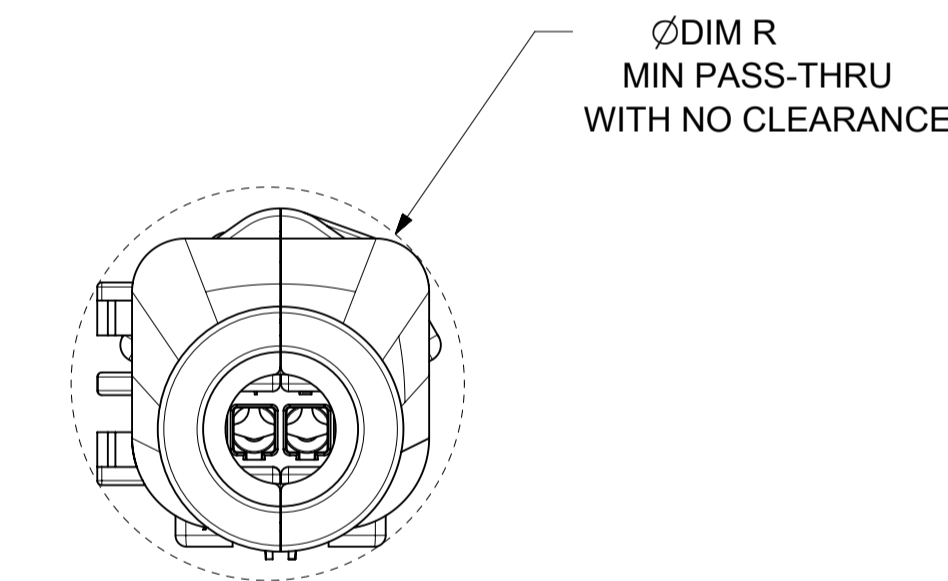
OVERALL MATED SYSTEM WITH BLADE AND RECEPTACLE BACKSHELL



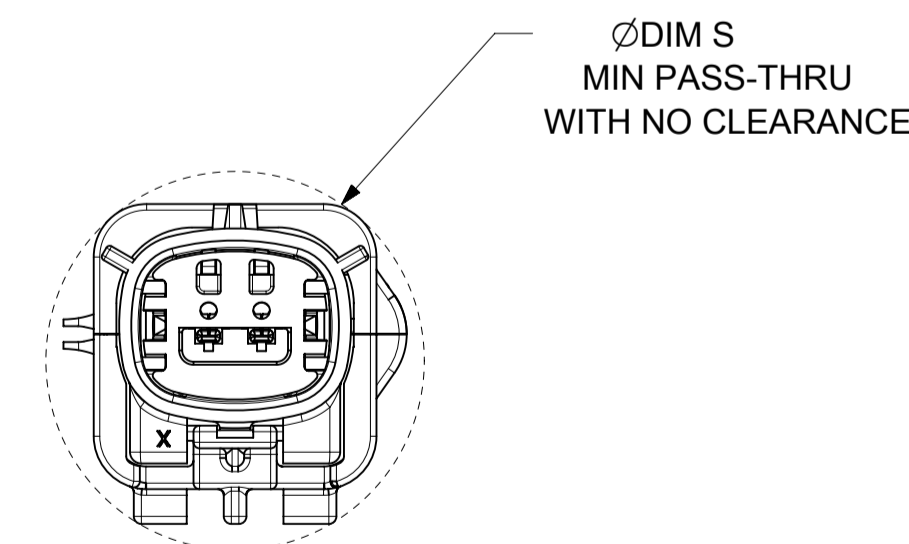
OVERALL MATED SYSTEM WITH BLADE BACKSHELL



OVERALL MATED SYSTEM WITH RECEPTACLE BACKSHELL



BLADE SEALED ASSEMBLY WITH BLADE BACKSHELL



| | | | | | |
|--|---|---|--|---|--|
| SYMBOLS = 0 = 0 = 0 = 0 = 0 = 0 = 0 = 0 = 0 = 0 | THIS DRAWING CONTAINS INFORMATION THAT IS PROPRIETARY TO MOLEX ELECTRONIC TECHNOLOGIES, LLC AND SHOULD NOT BE USED WITHOUT WRITTEN PERMISSION DIMENSION UNITS: MM ONLY SCALE: 2:1 | CURRENT REV DESC: EC NO: 602373 DRWN: DSHETTY01 2018/05/25 CHK'D: MVANSLAMBROU 2018/10/04 APPR: MVANSLAMBROU 2018/10/04 INITIAL REVISION: DRWN: APROFFITT 2015/07/21 APPR: KDEKOSKI 2016/06/14 | MX150 BLADE SINGLE ROW SEALED ASSY MAT SEAL | | |
| | GENERAL TOLERANCES (UNLESS SPECIFIED) ANGULAR TOL ± 1.0° 4 PLACES ± 3 PLACES ± 2 PLACES ± 0.1 1 PLACE ± 0.2 0 PLACES ± DRAFT WHERE APPLICABLE MUST REMAIN WITHIN DIMENSIONS | PRODUCT CUSTOMER DRAWING DOCUMENT NUMBER: SD-33481-0001 DOC TYPE: PSD DOC PART: 001 REVISION: A1 | | MATERIAL NUMBER: SEE NOTE 2a. CUSTOMER: GENERAL MARKET SHEET NUMBER: 9 OF 9 | |