

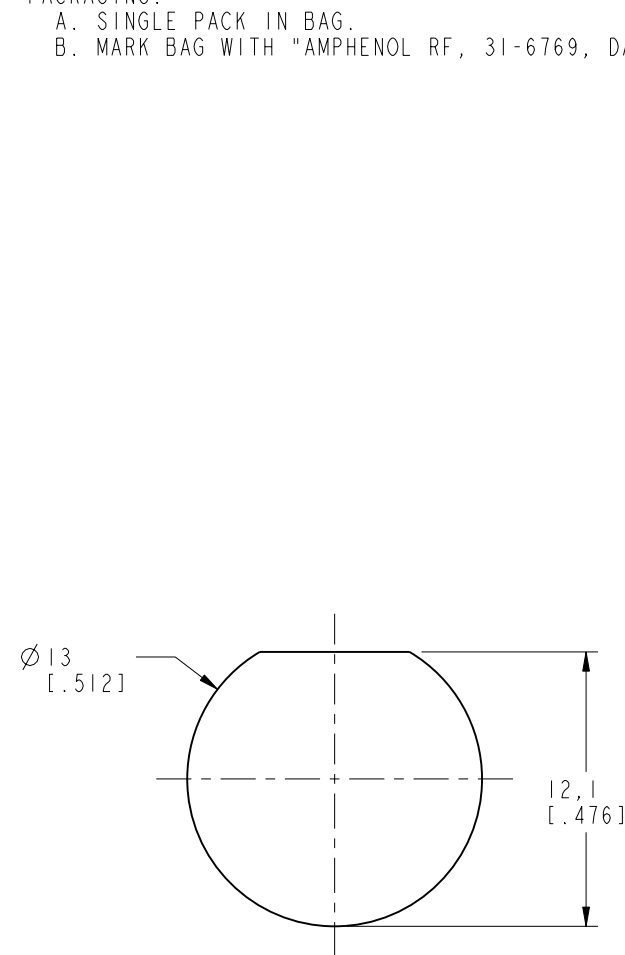
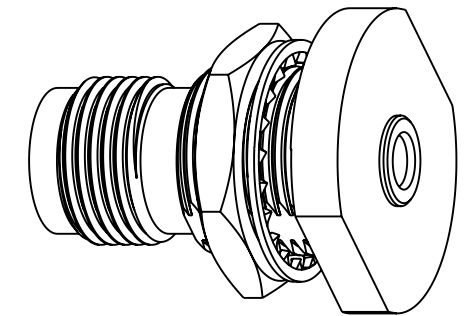
NOTES:

1. MATERIALS AND FINISHES:
 BODY: BRASS, NICKEL PLATED
 CONTACT: BERYLLIUM COPPER, GOLD PLATED
 INSULATOR: PTFE, NATURAL
 HEX NUT: BRASS, NICKEL PLATED
 LOCK WASHER: STAINLESS STEEL, PASSIVATED
2. ELECTRICAL:
 A. IMPEDANCE: 50 OHM
 B. FREQUENCY RANGE: DC TO 6 GHz
 C. VSWR: 1.5 MAX. FROM DC TO 6 GHz
 D. DIELECTRIC WITHSTANDING VOLTAGE: 500 VRMS MIN.
3. MECHANICAL:
 A. DURABILITY: 500 CYCLES MIN.
 B. TEMPERATURE RANGE: -65 C TO +165 C
 C. IP-67 SEALED IN UNMATED CONDITION FROM TNC SIDE
4. PACKAGING:
 A. SINGLE PACK IN BAG.
 B. MARK BAG WITH "AMPHENOL RF, 31-6769, DATE CODE (YYWW)"

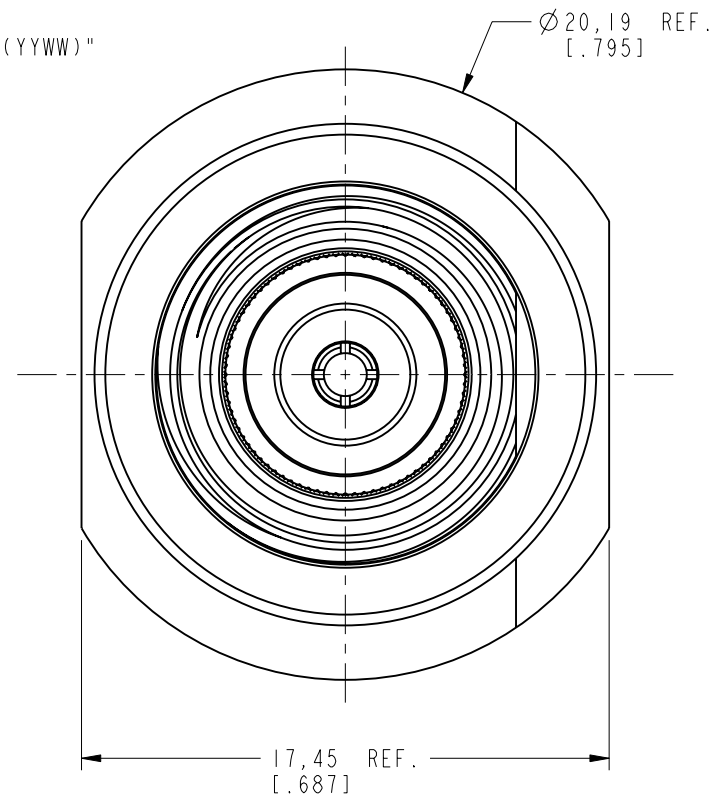
THIRD ANGLE PROJ.

REVISIONS

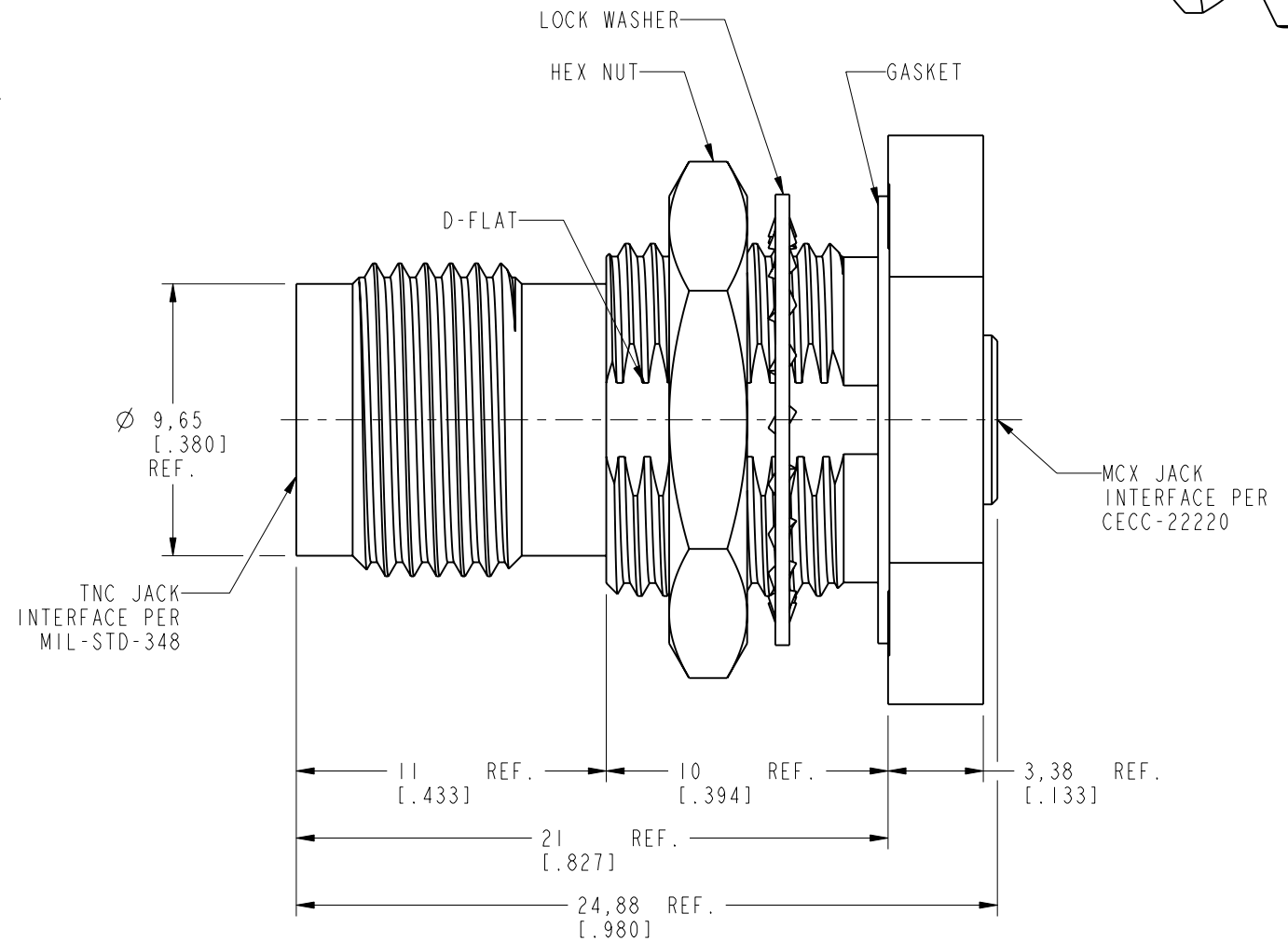
REV	DESCRIPTION	DATE	ECO	APPR
A	RELEASE TO MFG.	21-Dec-16	02643	JTS



RECOMMENDED PCB
 PANEL CUTOUT



LOCK WASHER AND HEX NUT
 ARE NOT SHOWN IN THE VIEW



CUSTOMER OUTLINE DRAWING

ALL OTHER SHEETS ARE FOR INTERNAL USE ONLY

UNLESS OTHERWISE SPECIFIED, DIMENSIONS ARE IN METRIC AND TOLERANCES ARE: <0.5mm ±0.05mm 0.5 - 6mm ±0.1mm 6 - 30mm ±0.2mm 30 - 120mm ±0.3mm ANGLES ±1°	MATERIAL	DRAWN STAR	DATE 21-Dec-16	TITLE TNC BULKHEAD JACK TO MCX JACK IP-67	Amphenol RF www.amphenolrf.com
	NOTICE - These drawings, specifications, or other data (1) are, and remain the property of Amphenol corp. (2) must be returned upon request; and (3) are confidential and not to be disclosed to any person other than those to whom they are given by Amphenol Corp. the furnishing of these drawings, specifications, or other data by Amphenol Corp., or to any other person to anyone for any purpose is not to be regarded by implication or otherwise in any manner licensing, granting rights to permitting such holder or any other person to manufacture, use or sell any product, process or design, patented or otherwise, that may in any way be related to or disclosed by said drawings, specifications, or other data.	REFERENCE EAR #7387	ENGINEER SUNDE		
FINISH	APPROVED S. HSIEH	DATE 21-Dec-16	SCALE: 6.0:1.0	SHEET 2 OF 2	ITEM NO. 31-6769
			DWG SIZE B	REV A	PART NO. 31-6769