

6

5

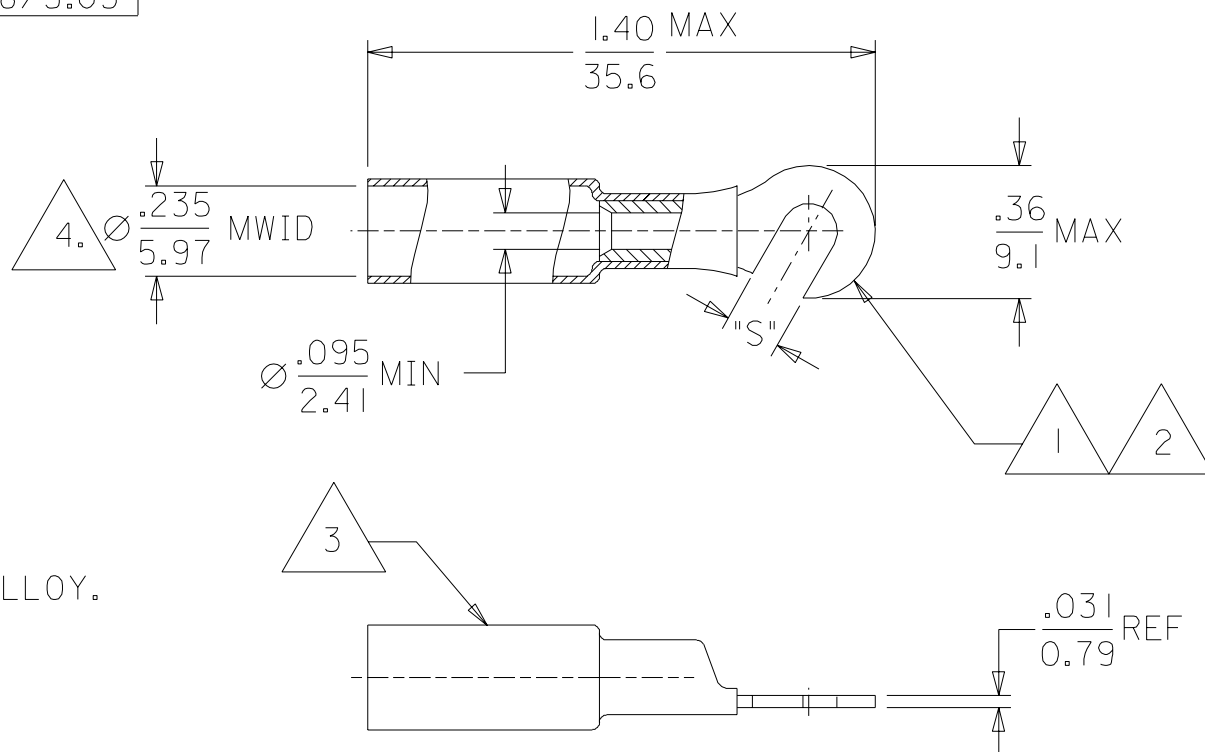
4

3

2

SD-19164-002

| MATERIAL NO. | ENGINEERING NO. | "S" REF |
|--------------|-----------------|-----------|
| 191640141 | SB-219-06 | .146/3.71 |
| 191640142 | SB-219-08 | .173/4.39 |
| 191640021 | SB-219-10 | .198/5.03 |



NOTES:

1. TERMINAL MATERIAL: COPPER ALLOY.
2. FINISH: ELECTRO TIN PLATE.
3. INSULATOR MATERIAL: HEAT SHRINKABLE TUBING WITH HOTMELT ADHESIVE INNER LINER. COLOR: BLUE
4. MWID = MAXIMUM WIRE INSULATION DIAMETER.

CUSTOMER DRAWING

| NEW RELEASE | | EC NO. ETC2003-0071 | | DRWN: BRE 02/11/16 | | CHK: HEB 02/11/16 | | APPR: RWD 02/11/16 | | QUALITY SYMBOLS | | GENERAL TOLERANCES: (UNLESS SPECIFIED) | | SCALE 2:1 | | DESIGN UNITS | | DIMENSIONS: | | SHT | | REV | |
|-------------|--|---------------------|--|--|--|--|--|--------------------|--|-----------------|--|--|--|--------------------|--|--------------|--|--------------|--|--------------|--|-----------|--|
| DESCRIPTION | | MAJOR | | CRITICAL | | mm | | INCH | | DRAWN BY & DATE | | CHECKED BY & DATE | | APPROVED BY & DATE | | CAD FILENAME | | MATERIAL NO. | | DRAWING NO. | | SHEET NO. | |
| B | | =0 | | =0 | | ±0. | | ±. | | BRE 02/09/05 | | HEB 02/09/05 | | RWD 02/09/05 | | 19164002 DGN | | SEE CHART | | SD-19164-002 | | 1 OF 1 | |
| REV | | ANGULAR: ±1/2° | | DRAFT WHERE APPLICABLE MUST REMAIN WITHIN DIMENSIONS | | THIS DRAWING CONTAINS INFORMATION THAT IS PROPRIETARY TO MOLEX INCORPORATED AND SHOULD NOT BE USED WITHOUT WRITTEN PERMISSION. | | SIZE A | | | | | | | | | | | | | | | |