

NOTES:

1. ALL PARTS TO BE BULK PACKED UNLESS NOTED.
2. INSTA CLICK CABLE END ASSEMBLY IS SUPPLIED AS A KIT. SEE KIT DRAWING. CONTACTS SUPPLIED UNASSEMBLED FOR CRIMP AND ASSEMBLED FOR SOCKET VERSIONS
3. ALL DIMENSIONS ARE REFERENCED IN INCHES [MM], WITHIN ± 0.015 UNLESS NOTED.
4. SIZE #12, 2 POSITION CRIMP CONTACTS ASSEMBLY IS BEEN SHOWN AS EXAMPLE. VISIT PART NUMBERING SYSTEM CHART TO VISIT VARIOUS SELECTIONS

PART NUMBER SYSTEM

W 3 X 8 X - X PG - P - 3 XX

CONTACT SIZES

- 1' - SIZE #12
- 2' - SIZE #20
- 3' - SIZE #16

CONTACTS STYLE

- 0' - CRIMP
- 2' - SOLDER

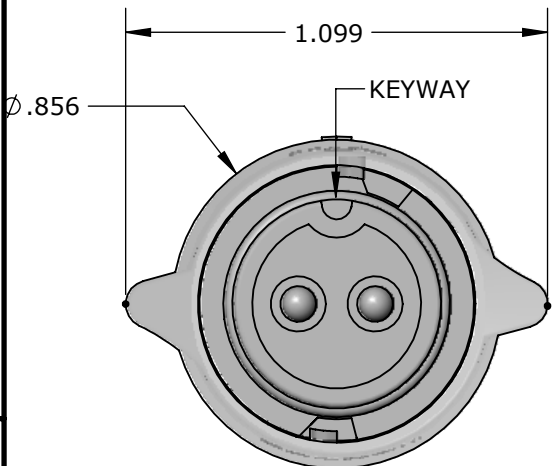
CONTACT POSITIONS

- POSITION 2, 3 & 4 (AVAILABLE IN SIZE #12)
- POSITION 4, 5 & 6 (AVAILABLE IN SIZE #16)
- POSITION 4,5,6,7,8,9,10,11&12 (AVAILABLE IN SIZE #20)

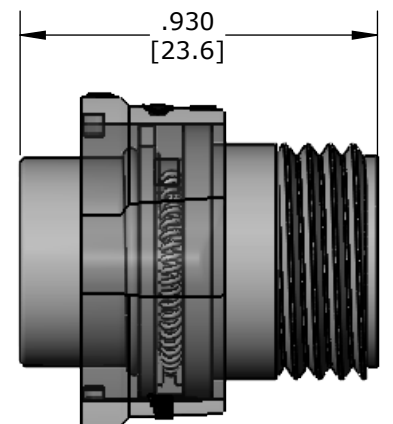
- 15 - CABLE OD 0.15 - 0.17 [3.8 - 4.3mm]
- 18 - CABLE OD 0.18 - 0.20 [4.6 - 5.1mm]
- 21 - CABLE OD 0.21 - 0.23 [5.3 - 5.8mm]
- 24 - CABLE OD 0.24 - 0.27 [6.1 - 6.8mm]
- 28 - CABLE OD 0.28 - 0.29 [7.1 - 7.4mm]
- 30 - CABLE OD 0.30 - 0.32 [7.6 - 8.1mm]

CUSTOMER PRINT

PART NUMBER: W3X8X-XPG-P-3XX\_CD



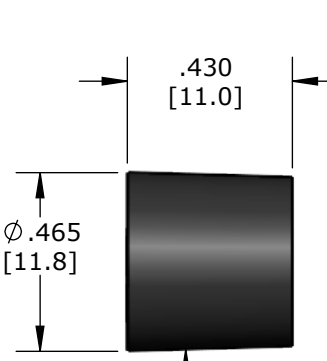
W3180-2PG-P-3XX SHOWN MATING VIEW



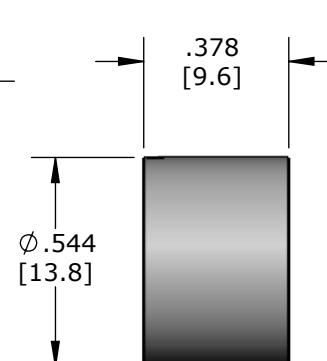
CABLE END CONN KIT  
MATL:  
HOUSING- THERMOPLASTIC, BLACK  
COUPLING RING- THERMOPLASTIC, BLACK  
O-RING - RED SILICONE  
INTERNAL SPRING - STAINLESS STEEL



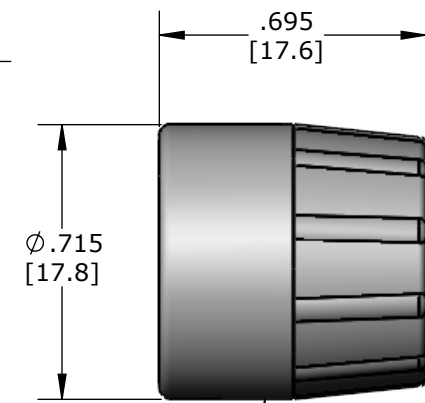
#12 CRIMP CONTACTS SHOWN HERE  
MATL: COPPER ALLOY, GOLD PLATED



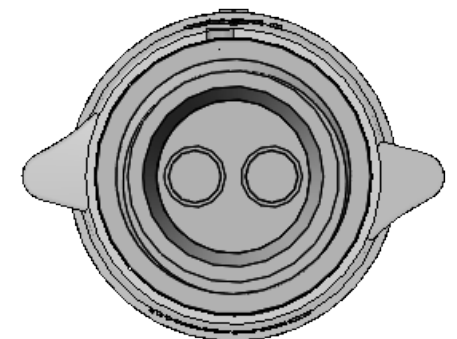
GROMMET  
MATL: SANTOPRENE, BLACK  
W3180-2PG-P-315 0.156 ID FOR CABLES 0.15 - 0.17 [3.5 - 4.3mm]OD  
W3180-2PG-P-318 0.187 ID FOR CABLES 0.18 - 0.20 [4.6 - 5.1mm]OD  
W3180-2PG-P-321 0.225 ID FOR CABLES 0.21 - 0.23 [5.3 - 5.8mm]OD  
W3180-2PG-P-324 0.250 ID FOR CABLES 0.24 - 0.27 [6.1 - 6.8mm]OD  
W3180-2PG-P-328 0.285 ID FOR CABLES 0.28 - 0.29 [7.1 - 7.4mm]OD  
W3180-2PG-P-330 0.312 ID FOR CABLES 0.30 - 0.32 [7.6 - 8.1mm]OD



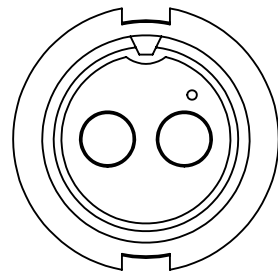
SLEEVE  
MATL: THERMOPLASTIC, BLACK



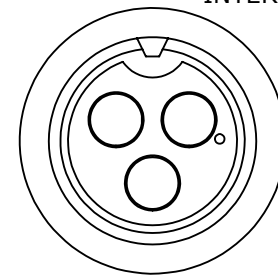
BACKSHELL  
MATL: THERMOPLASTIC, BLACK



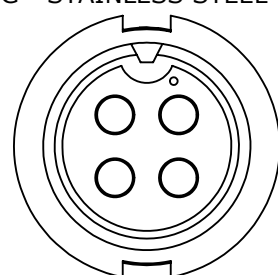
W3180-2PG-P-3XX WIRING VIEW



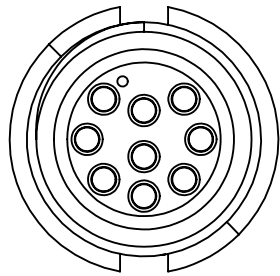
W3180-2PG-P-3XX MATING VIEW



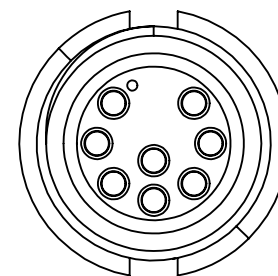
W3180-3PG-P-3XX MATING VIEW



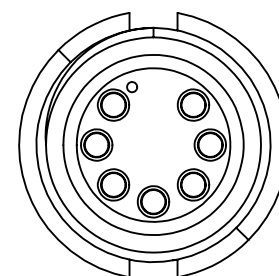
W3380-4PG-P-3XX MATING VIEW



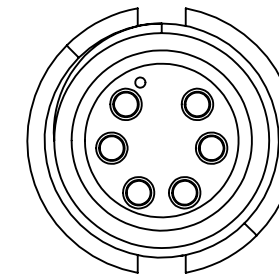
W3280-9PG-P-3XX WIRING VIEW



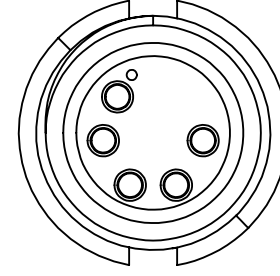
W3280-8PG-P-3XX WIRING VIEW



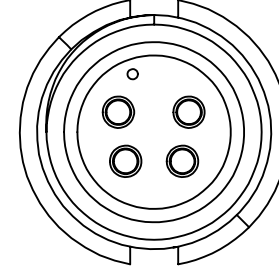
W3280-7PG-P-3XX WIRING VIEW



W3280-6PG-P-3XX WIRING VIEW



W3280-5PG-P-3XX WIRING VIEW



W3280-4PG-P-3XX WIRING VIEW

0A	AM	04/04/22	CUSTOMER DRAWING
REV.	INIT.	DATE	DESCRIPTION
	AM	04/04/22	
<small>ALL INFORMATION ILLUSTRATED IS THE PROPERTY OF CONXALL CORPORATION. UNAUTHORIZED DUPLICATION OR DISTRIBUTION OF THIS DOCUMENT IS PROHIBITED.</small>			<p>601 E. WILDWOOD VILLA PARK, IL 60181</p>
<small>ALL UNITS ARE IN FEET, INCHES, FRACTION OF INCHES AND DECIMALS. UNLESS OTHERWISE SPECIFIED TOLERANCES: 3 PLACE DECIMALS ±.005 ANGLES ±1° FRACTIONS ±1/16</small>			
APPROVED BY:		SCALE	TITLE
		NTS	CABLE END CONNECTOR ASSEMBLY
		SIZE	(2-4) #12, (4-6) #16, (4-12) #20 PIN CONTACTS
		SHEET	MULTI CONX INSTA-CLICK
		1 OF 1	STANDARD PRODUCT
FILE:	DIRECTORY:	PART NUMBER:	REV
FILE NAME	SLW	W3X8X-XPG-P-3XX	