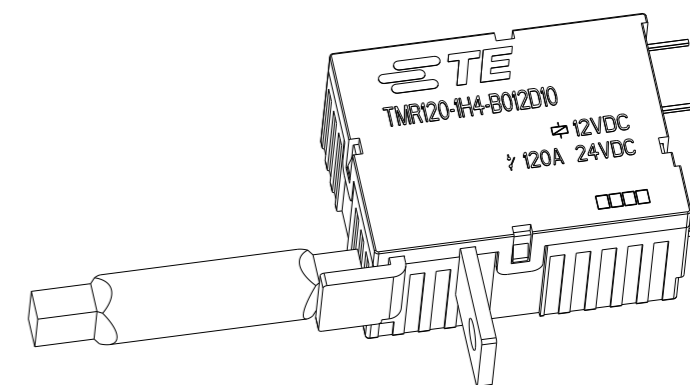
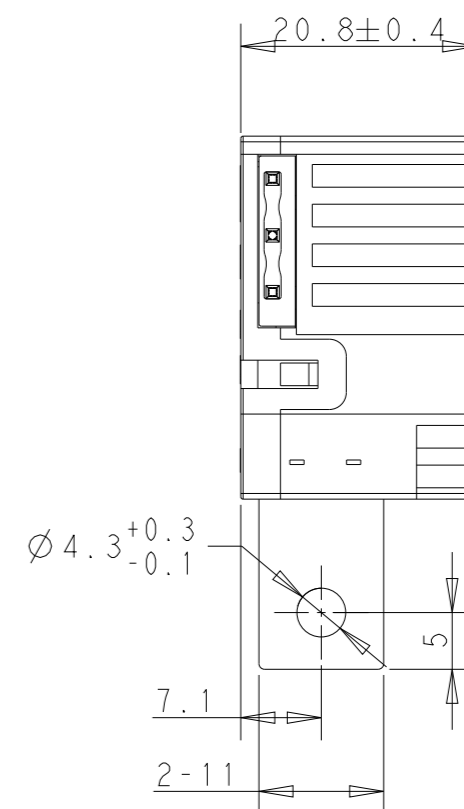
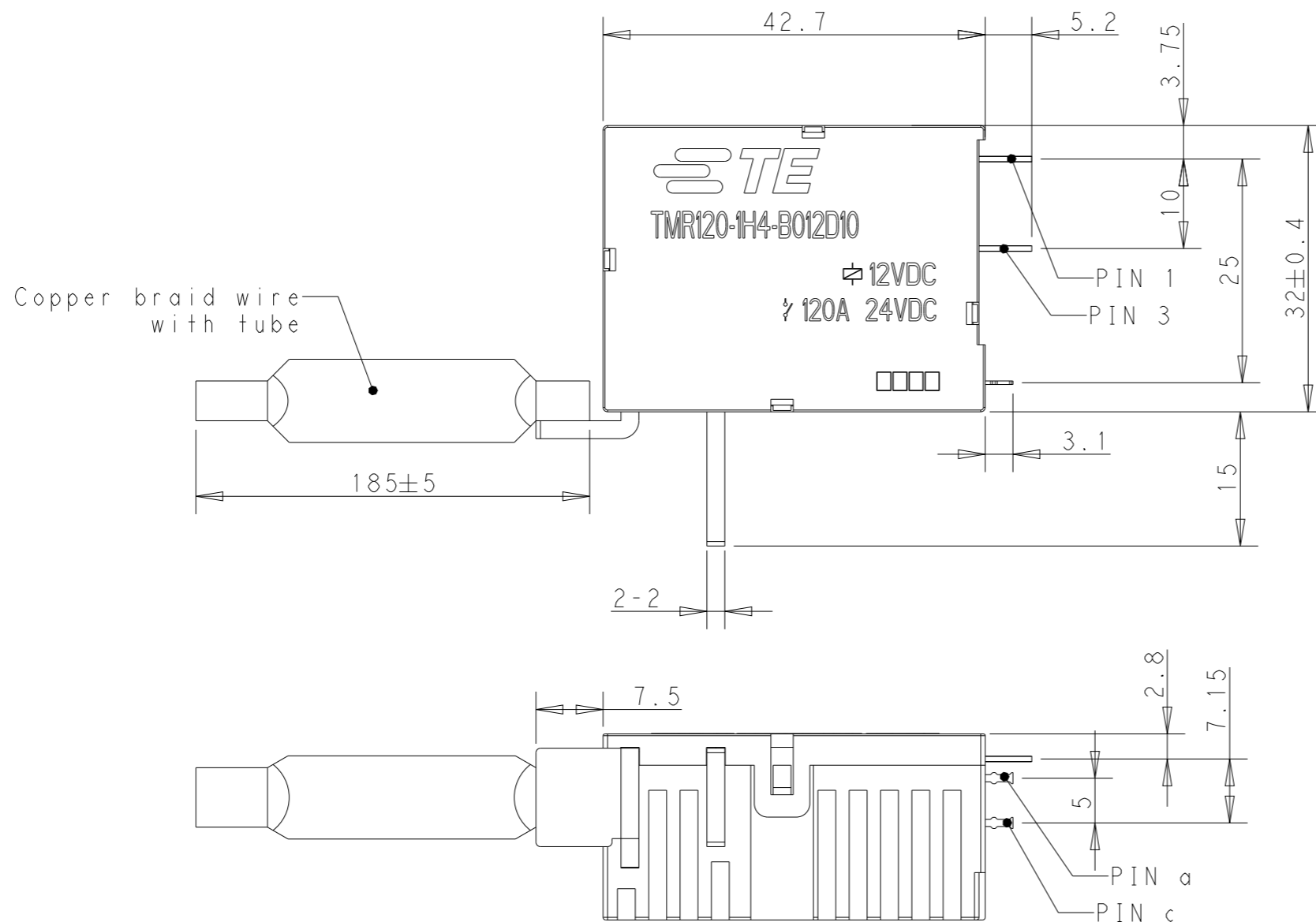


REVISIONS

P	LTR	DESCRIPTION	DATE	DWN	APVD
	A	Release	24OCT2019	HL.C	XN.Z
	B	Replace the auxiliary switch.	18OCT2022	SL.Z	SX.C

PART NUMBER	PART DESCRIPTION
2071540-1	TMR120-1H4-B012D10



NOTES:
 1. COIL POLAR.
 Operate: 1 "-" & 3 "+"
 Auxiliary switch "a" "c" ON
 Release: 1 "+" & 3 "-"
 Auxiliary switch "a" "c" OFF
 2. General tolerance.
 ≤1 ±0.2
 1-5 ±0.3
 ≥5 ±0.5

THIS DRAWING IS A CONTROLLED DOCUMENT.		DWN 27MAY2019		GC.Fang	
DIMENSIONS:		CHK 18-Oct-22		XN.Zhang	
mm		APVD 18-Oct-22		Sunny.Zhang	
TOLERANCES UNLESS OTHERWISE SPECIFIED.		PRODUCT SPEC		NAME TMR120-1H4-B012D10	
0 PLC ±0.1		APPLICATION SPEC		SIZE	
1 PLC ±0.01		WEIGHT		CAGE CODE	
2 PLC ±0.001		CUSTOMER DRAWING		DRAWING NO	
3 PLC ±0.0001		SCALE 3:2		SHEET 1 OF 1	
4 PLC ±0.0001		RESTRICTED TO		REV B1	
ANGLES ±0.0001					
FINISH					
MATERIAL					