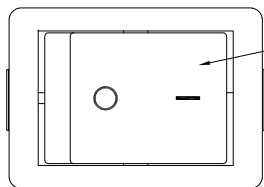
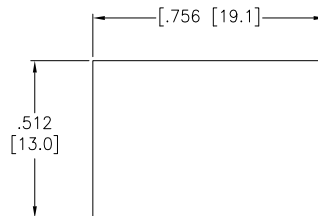


APPROVED: \_\_\_\_\_  
 DATE: \_\_\_\_\_ TITLE: \_\_\_\_\_

Rev	AWO #	Description	Date	Appr
-		RELEASED	9/24/20	

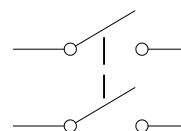
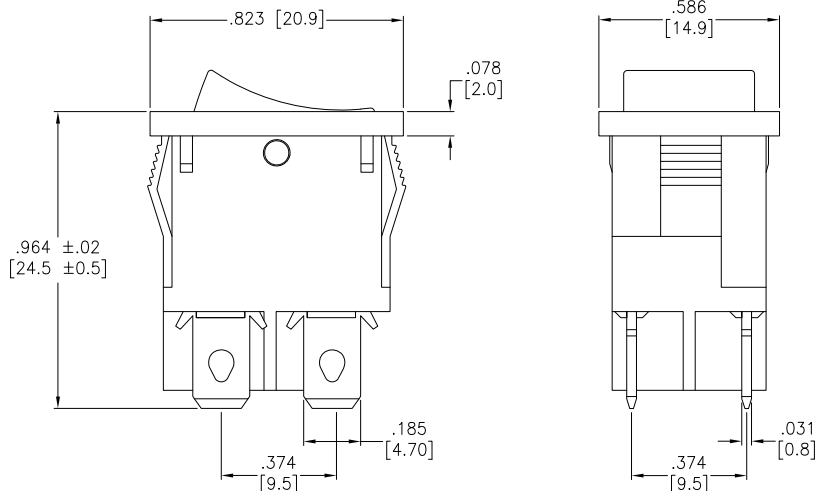


SOLID BLACK WITH  
WHITE MARKINGS



RECOMMENDED  
PANEL CUT-OUT

SW-R2-3A-F-X-4



CIRCUIT DIAGRAM  
(DPST) (ON-OFF)

	Switch Markings
1	
2	
3	
4	
5	
6	

SPECIFICATIONS:

Material:  
 Body: Nylon 66, Color Black, Rated UL 94V-0  
 Terminal: Brass, Silver plated  
 Button: Nylon 66, color Solid Black. White color markings  
 Electrical:  
 Rating: 10A @ 125V AC  
 6A @ 250V AC  
 Contact resistance: 35 mohms max (Initial)  
 Insulation resistance: 100 mohms min @ 500V AC  
 Dielectric withstanding voltage: 1500V AC for 1 Min.  
 Electrical Life: 10,000 cycles min.  
 Mechanical:  
 Operating Life: 100,000 cycles min.  
 Temperature Rating:  
 Operating temperature: -25°C to +85°C  
 Environmental:  
 Lead free, RoHS compliant



Replace "x" in P/N with the corresponding switch marking

UNLESS OTHERWISE SPECIFIED ALL DIMENSIONS ARE INCHES [MM] TOLERANCES: EXCEPT AS NOTED INCHES HOLES .X ±.10 Ø.X ±.10 .XX ±.020 Ø.XX ±.015 .XXX ±.015 Ø.XXX ±.010		<b>ADAM TECH</b> 909 Rahway Avenue, Union, NJ 07083 Phone: 908-687-5000 Fax: 908-687-5710	
APPROVALS DRAWN SS 9/24/20 CHECKED SS 9/24/20 APPROVED		DATE DATE DATE	
TITLE SWITCH, ROCKER, DPST, ON-OFF, COLOR BLACK, PANEL MOUNT, .187" [4.8] SOLDER		SIZE X	PART NO. SW-R2-3A-F-X1-4
REF:		SCALE: NTS	SHEET 1 OF 1