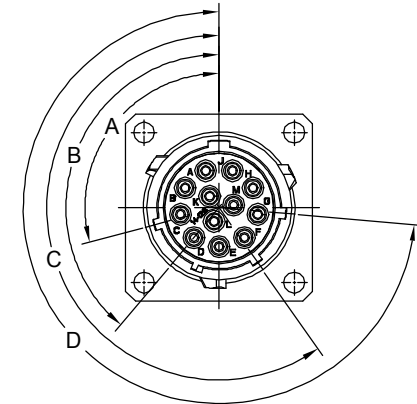
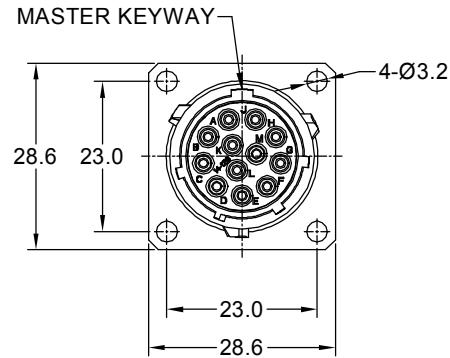
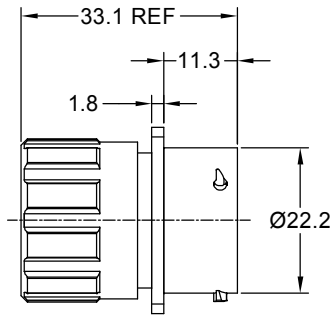


REVISIONS					
REV	ECO	DESCRIPTION	DATE	BY	APPR
B1	-	RELEASED DRAWING	Nov-17-2014	Ben	Tommy
B2	-	VOLTAGE UPDATE AND ADD KEY ICON	Dec-16-2020	Ronald	Tommy



NOTES : (UNLESS OTHERWISE SPECIFIED)

1. MATERIAL :

- SHELL : ZINC ALLOY , NICKEL PLATED.
- INSERT : THERMOPLASTIC , UL94 V-0.
- END CAP : THERMOPLASTIC , UL94 V-0.
- PLASTIC BUSHING : THERMOPLASTIC , UL94 V-0.
- SEAL GASKET : NBR/SILICONE RUBBER.
- O-RING : NBR/SILICONE RUBBER.
- WIRE SEAL : SILICONE RUBBER.

2. SPECIFICATIONS :

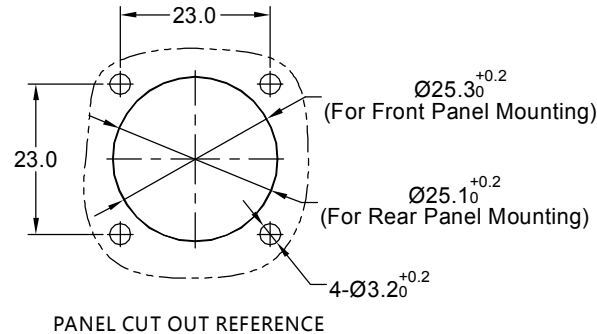
- 2.1 RATED CURRENT : 13A (MAX).
- 2.2 RATED VOLTAGE : 500V (AC/DC) .
- 2.3 OPERATING TEMPERATURE : SEE CHART.
- 2.4 DIELECTRIC WITHSTANDING VOLTAGE : LESS THAN 2 MILLIAMPS CURRENT LEAKAGE@2000 VOLTS AC.
- 2.5 INSULATION RESISTANCE : 5000 MEGOHMS MIN.
- 2.6 IP--CLASS : IP67 (MATED CONDITION).
- 2.7 MATING CYCLES DURABILITY : 500 CYCLES MIN.
- 2.8 ROHS COMPLIANT.

3. SUITABLE CONTACTS : 16# CONTACTS.

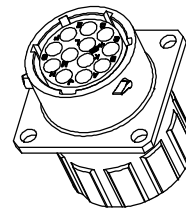
4. ALL DIMENSIONS ARE FOR REFERENCE USE ONLY.

5. CONTACT SIZE AND REAR SEAL WIRE RANGE :

CONTACT SIZE	MIN. INSUL O.D.	MAX. INSUL O.D.	WIRE RANGE
16#	Ø2.0mm	Ø3.2mm	14 - 24AWG



KEY POS	PART NUMBER		A	B	C	D
	-40°C ~ 105°C	-40°C ~ 125°C				
N	RT001412SNHEC	RT001412SNHEC03	105°	140°	215°	265°
W	RT001412SWHEC	RT001412SWHEC03	60°	140°	215°	265°
X	RT001412SXHEC	RT001412SXHEC03	105°	160°	215°	265°
Y	RT001412SYHEC	RT001412SYHEC03	105°	140°	225°	265°
Z	RT001412SZHEC	RT001412SZHEC03	105°	140°	215°	295°



QUANTITY	SEE PART NUMBER CHART	DESCRIPTION	ITEM
MATERIALS LIST			
UNLESS OTHERWISE SPECIFIED 1) All dimensions are in metric(mm). 2) Tolerances are as follows: 1 PL DEC ±0.30 2 PL DEC ±0.15 3 PL DEC ±0.08 Fractions ±1/64 Angles ±1° 3) Note reference =		SIGNATURES DRAWN: Ronald DATE: Dec-16-20 CHECKED: Flan DATE: Dec-17-20 ENGINEER: APPROVAL: Tommy DATE: Dec-18-20 CUSTOMER:	 Sine Systems - www.amphenol-sine.com 44724 Morley Drive Clinton Township, MI 48036
MATERIAL SPECIFICATIONS: PROCESS SPECIFICATIONS: NEXT ASSY:		THIS DRAWING IS SUPPLIED FOR INFORMATION ONLY. DESIGN FEATURES, SPECIFICATIONS AND PERFORMANCE DATA SHOWN HEREON ARE THE PROPERTY OF THE AMPHENOL CORPORATION. NO RIGHTS OF REPRODUCTION ARE IMPLIED. ALL DIMENSIONS ARE SUBJECT TO NORMAL MANUFACTURING VARIATIONS.	ECOMATE RM, RECEPTACLE, SIZE 14, 12 POS, SOCKET, END CAP. SIZE TYPE DWG NO: B C- RT001412S*HEC SCALE: NONE SHEET 1 OF 1

TITLE: ECOMATE RM, RECEPTACLE, SIZE 14, 12 POS, SOCKET, END CAP. DWG NO.: RT001412S*HECX REV: B2 SH: 1 OF: 1