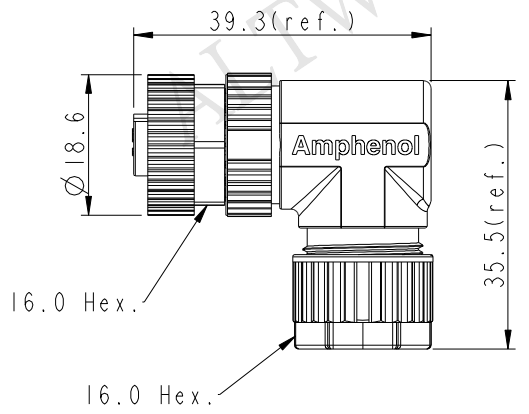
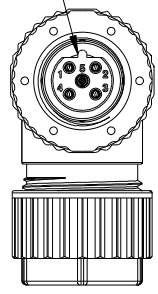
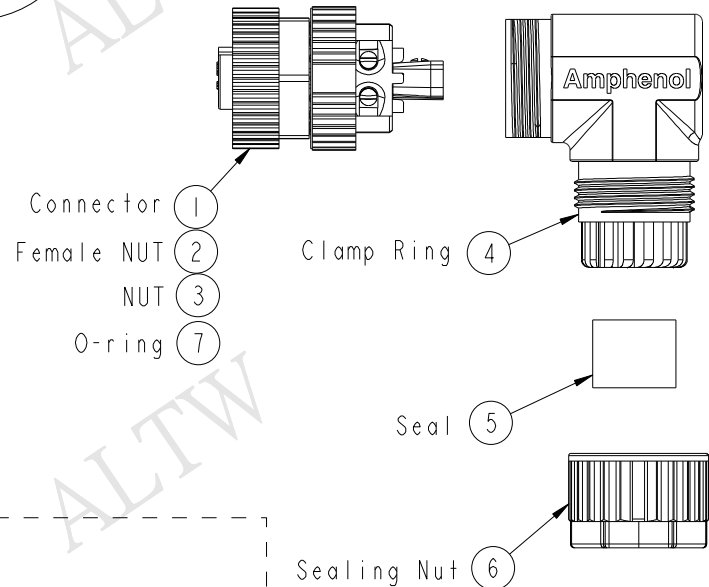


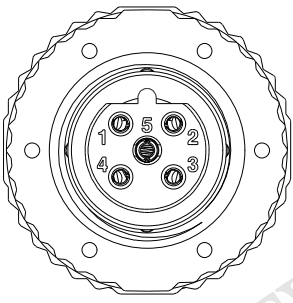
REV.	ECN NO.	DATE	SIGN	DESCRIPTION
A	Initial Release	2015/10/12	Mila	Change Rev.01 To Rev.A

ALTW
CONFIDENTIAL
 2015-10-12
 R&D DEPT.

360° Adjustable Key Code Direction



ALTW
 DCC. DEPT.
 CONFIDENTIAL
 2015.10.28
 ISSUED



Pin Assignments
 Front View

UNIT:mm		
TOLERANCE		
±0.5mm		

TITLE		
M12 B-Code 90° Unshielded Assy 5Pin F Conn. F Pin		
SCALE	SIZE	SHEET
1:1	A4	1 OF 2
REV.	WC-REV.	QC
A	A.1	QC: Inspection item

Amphenol LTW
 安費諾亮泰企業股份有限公司

ITEM NO	DRAWN BY	DATE
MSBP-05BFFB-SR7001	Mila	2015-10-12
DWG NO	CHECKED BY	DATE
MSBP-05BFFB-SR7001	Cary	2015-10-12
CUSTOMER	APPROVED BY	DATE
ALTW	Jerry	2015-10-12

THIS DOCUMENT IS SUBJECT TO CHANGE WITHOUT NOTICE. IT IS CONFIDENTIAL AND A PROPERTY OF AMPHENOL LTW. DISCLOSURE TO THIRD PARTY HAS TO BE AUTHORIZED BY AMPHENOL LTW.

THIS DOCUMENT IS SUBJECT TO CHANGE WITHOUT NOTICE. IT IS CONFIDENTIAL AND A PROPERTY OF AMPHENOL LTW. DISCLOSURE TO THIRD PARTY HAS TO BE AUTHORIZED BY AMPHENOL LTW.



M SBP - 05 B F F B - S R 7 001

SBP: B-Code Plastic Nut

001: Without Cable

05: 5Pin

7: IP67(防水等級67)

R: Right(90°)

B: Without S/R(無網尾)

S: Screw(螺紋式)

F: Female Connector(母座)

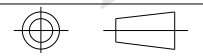
B: Screw in Type(組裝式)

F: Female Pin(母Pin)

Note:

- * Important Dimension To Check.
- * Waterproof Rate: IP67(Mated)
- * Housing: Nylon, Black
- * Female Pin: Copper Alloy, Gold Plated
- * Female Nut: PBT+PC, Black
- * Nut: PBT+PC, Black
- * O-Ring: Silicon, Grey
- * Clamp Ring: Nylon, Black
- * Sealing Nut: PBT+PC, Black
- * Seal: Silicon, Grey
- * Seal For Cable OD: $\varnothing 4.0\text{mm} \sim \varnothing 7.0\text{mm}$
- * Screws for Wire connection recommended
tightening torque: 0.61~0.84 kgf.cm / 0.059~0.082 N.m
- * Applicable Wire gauge (Stranded wire cross section)
0.14mm² (26AWG) ~ 0.82mm² (18AWG)
- * Mating Recommended tightening torque:
3~4 kgf.cm / 0.29~0.39 N.m
- * Sealing-Nut Recommended tightening torque:
4~6 kgf.cm / 0.39~0.59 N.m
- * Detailed applicable wire specifications may vary
depending on the actual wire construction.

UNIT:mm



TITLE M12 B-Code 90° Unshielded Assy
5Pin F Conn. F Pin

Amphenol LTW

ITEM NO MSBP-05BFFB-SR7001

DRAWN BY Mila

DATE 2015-10-12

TOLERANCE

SCALE 1:1 SIZE A4 SHEET 2 OF 2

安費諾亮泰企業股份有限公司

DWG NO MSBP-05BFFB-SR7001

CHECKED BY Cary

DATE 2015-10-12

±0.5mm

REV. A WC-REV. A.1 Inspection item

CUSTOMER ALTW

APPROVED BY Jerry

DATE 2015-10-12