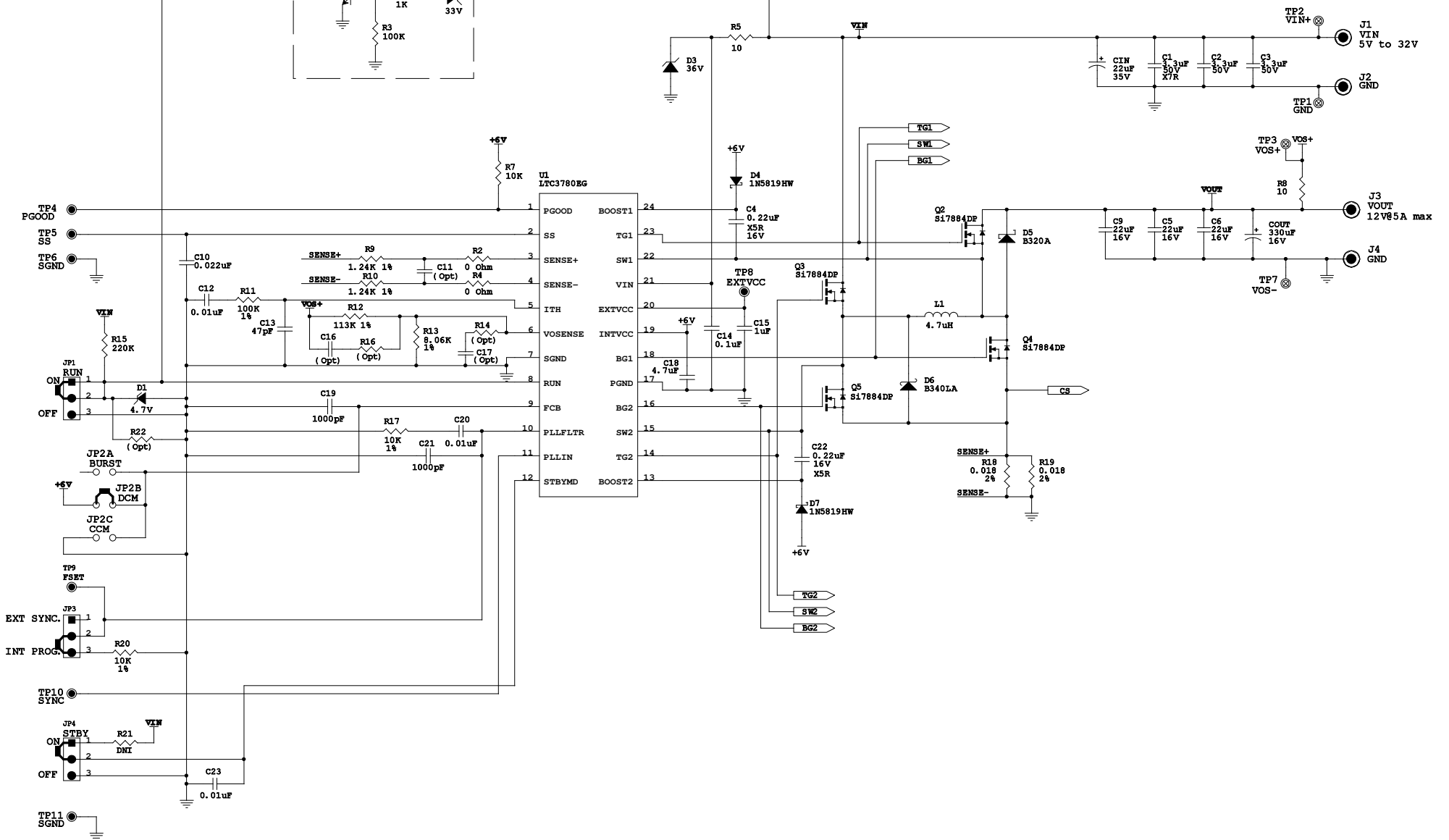
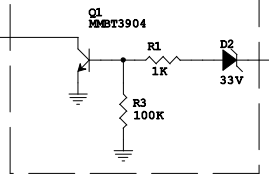


Optional OV Shutdown

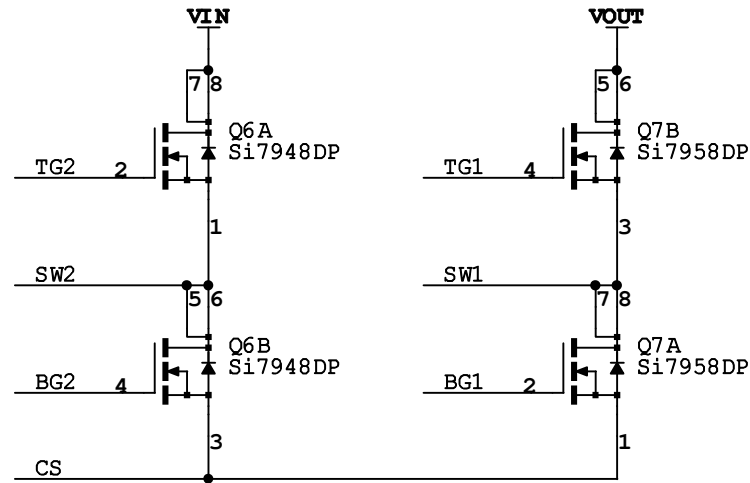
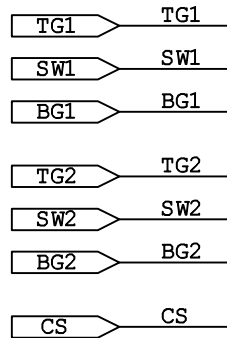


This circuit is proprietary to Linear Technology and supplied for use with Linear Technology parts.
Customer Notice: Linear Technology has made a best effort to design a circuit that meets customer-supplied specifications; however, it remains the customer's responsibility to verify proper and reliable operation in the actual application. Component substitution and printed circuit board layout may significantly affect circuit performance or reliability. Contact Linear Applications Engineering for assistance.

Wednesday, March 09, 2005

Linear Technology Corp. 1630 McCarty Blvd., Milpitas, CA 95035-7417 Phone: (408)432-1900 Fax: (408)434-0507	
Title	High Efficiency Step-Up/Down DC/DC Converter
Size	Document Number Demo Circuit 686A
Date	Rev 3
Sheet 1 of 2	

OPTIONAL CIRCUIT #1 (1.5A OUTPUT)



This circuit is proprietary to Linear Technology and supplied for use with Linear Technology parts.
Customer Notice: Linear Technology has made a best effort to design a circuit that meets customer-supplied specifications; however, it remains the customers responsibility to verify proper and reliable operation in the actual application, Component substitution and printed circuit board layout may significantly affect circuit performance or reliability. Contact Linear Applications Engineering for assistance.

Wednesday, March 09, 2005

Linear Technology Corp.		
1630 McCarthy Blvd., Milpitas, CA 95035-7417 Phone: (408)432-1900 Fax: (408)434-0507		
Title High Efficiency Step-Up/Down DC/DC Converter		
Size A	Document Number Demo Circuit 686A	Rev 3
Date:	2	Sheet 2 of 2