

PLEASE CHECK WWW.MOLEX.COM FOR LATEST PART INFORMATION

Part Number: **0783730001**
Status: **Active**
Overview: DDR3 DIMM Sockets
Description: 1.00mm Pitch DDR3 DIMM Socket, 25° Angle, Through Hole, with Beveled Metal Pins, Black Housing and Latches, 0.76µm Gold (Au) Plating, 2.79mm Solder Tail Length, 1.57mm PCB Thickness, 1.5V Center Voltage Key, 240 Circuits

Documents:

[3D Model](#) [Product Specification PS-78373-001-001 \(PDF\)](#)
[3D Model \(PDF\)](#) [RoHS Certificate of Compliance \(PDF\)](#)
[Drawing \(PDF\)](#)

Agency Certification

CSA LR19980
 UL E29179

General

Product Family Memory Module Sockets
 Series 78373
 Component Type Socket
 JEDEC Outline MO-269
 Overview DDR3 DIMM Sockets
 Product Name DDR3 DIMM
 UPC 883906206697

Physical

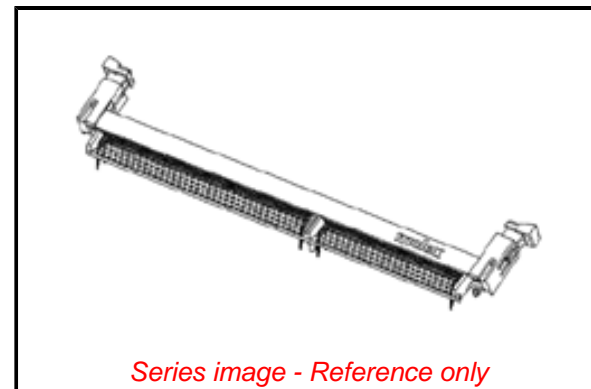
Circuits (Loaded) 240
 Circuits (maximum) 240
 Durability (mating cycles max) 25
 Entry Angle 25° Angle
 Flammability 94V-0
 Housing Color Black
 Keying to Mating Part Yes
 Latch Color Black
 Material - Metal Copper Alloy
 Material - Plating Mating Gold
 Material - Plating Termination Tin
 Material - Resin High Temperature Thermoplastic
 Net Weight 11.547/g
 PC Tail Length 2.79mm
 PCB Locator Yes
 PCB Retention Yes
 PCB Thickness - Recommended 1.57mm
 Packaging Type Tray
 Pitch - Mating Interface 1.00mm
 Pitch - Termination Interface 1.00mm
 Plating min - Mating 0.762µm
 Plating min - Termination 2.540µm
 Temperature Range - Operating -55° to +85°C
 Termination Interface: Style Through Hole

Electrical

Current - Maximum per Contact 1.0A
 Voltage - Maximum 30V AC (RMS)/DC
 Voltage Key Center

Solder Process Data

Duration at Max. Process Temperature (seconds) 010



Series image - Reference only

EU ELV

Not Relevant

EU RoHS

Compliant

REACH SVHC

Not Contained Per -
 D(2020)9139-DC (19
 Jan 2021)

Halogen-Free

Status

Not Low-Halogen

For more information, please visit [Contact US](#)

China ROHS	Green Image
ELV	Not Relevant
RoHS Phthalates	Not Contained

Search Parts in this Series

78373 Series

Mates With

JEDEC Standard 1.27mm Modules

Lead-free Process Capability
Max. Cycles at Max. Process Temperature
Process Temperature max. C

SMC&WAVE
002
260

Material Info

Reference - Drawing Numbers

Electrical Model Document
Product Specification
S-Parameter Model
Sales Drawing

EE-78373-001, EE-78373-002
PS-78373-001-001
SP-78373-001, SP-78373-002
SD-78373-001

This document was generated on 05/06/2021

PLEASE CHECK WWW.MOLEX.COM FOR LATEST PART INFORMATION