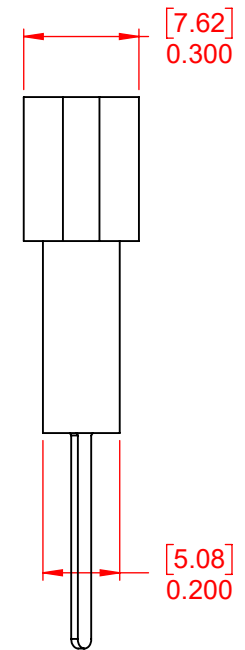
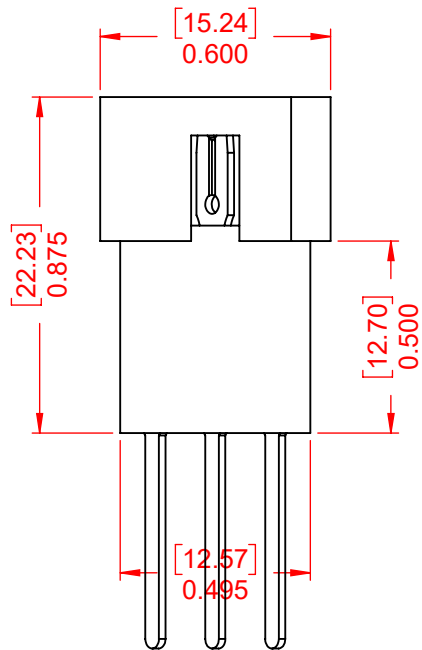
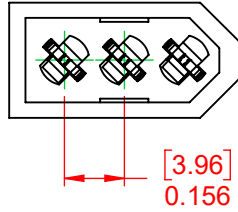


NOTE:
 CONTACT CODE: 540-Wire Wrap .050x.024(1.27x0.61) - Tail LG.=.600(15.24)

THIS IS A C.A.D. GENERATED DRAWING
 DO NOT MAKE MANUAL REVISIONS TO MASTER.



| | |
|--------------|---|
| ISSUE NUMBER | |
| ORIGINAL | ① |



556 EDACON CONNECTOR ASSEMBLY

| | |
|----------------------------------|----------------------|
| ACAD REFERENCE NO.: 556 Assembly | |
| DRAWN: C.B | DATE: March 13, 2020 |
| CHECKED: | DATE: |
| SCALE: 2:1 | SHEET 1 OF 1 |
| DRAWING NUMBER: 556 Assembly | ISSUE |
| PART NUMBER: 556-003-540-201 | 1 |



THIS SERIES FULLY CONFORMS TO
 THE EUROPEAN UNION DIRECTIVES
 2011/65/EU FOR RoHS COMPLIANCY.



YOUR CONNECTION TO QUALITY & SERVICE

EDAC INC
 TORONTO, ONTARIO
 CANADA

THESE DRAWINGS AND SPECIFICATIONS
 ARE THE PROPERTY OF EDAC INC., AND
 SHALL NOT BE REPRODUCED, OR COPIED
 OR USED AS THE BASIS FOR THE
 MANUFACTURE OR SALE OF APPARATUS
 WITHOUT WRITTEN PERMISSION.