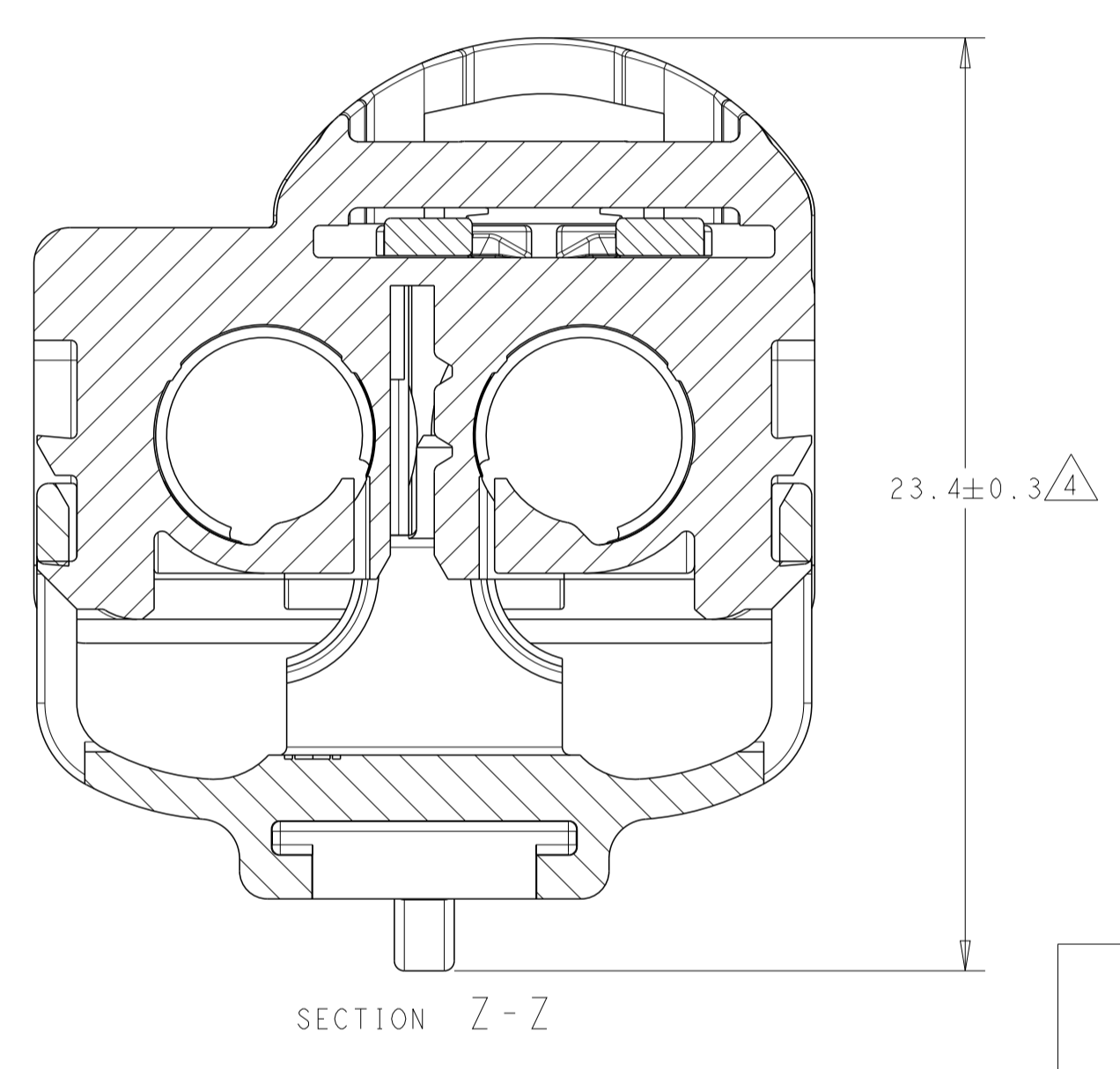
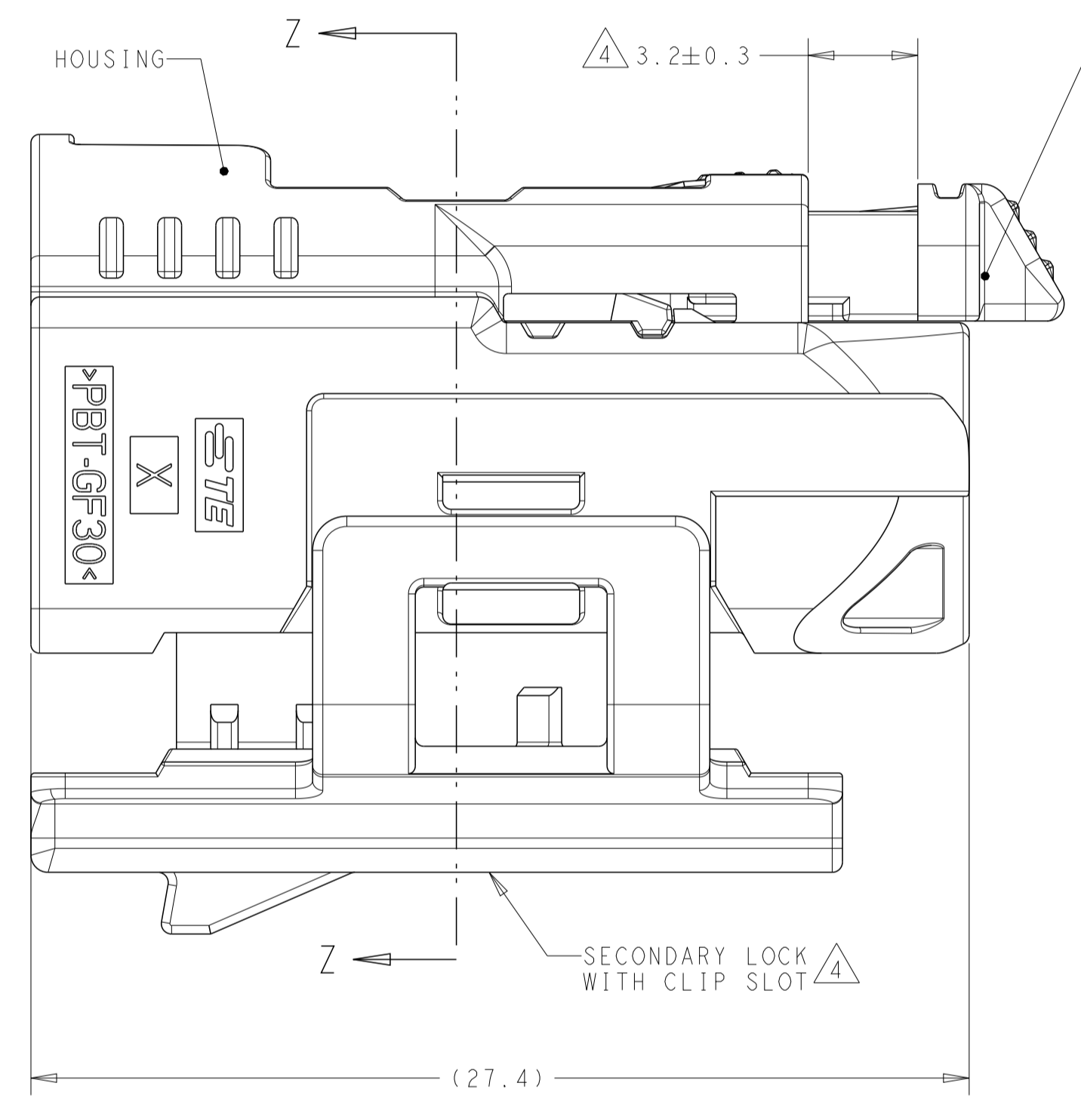
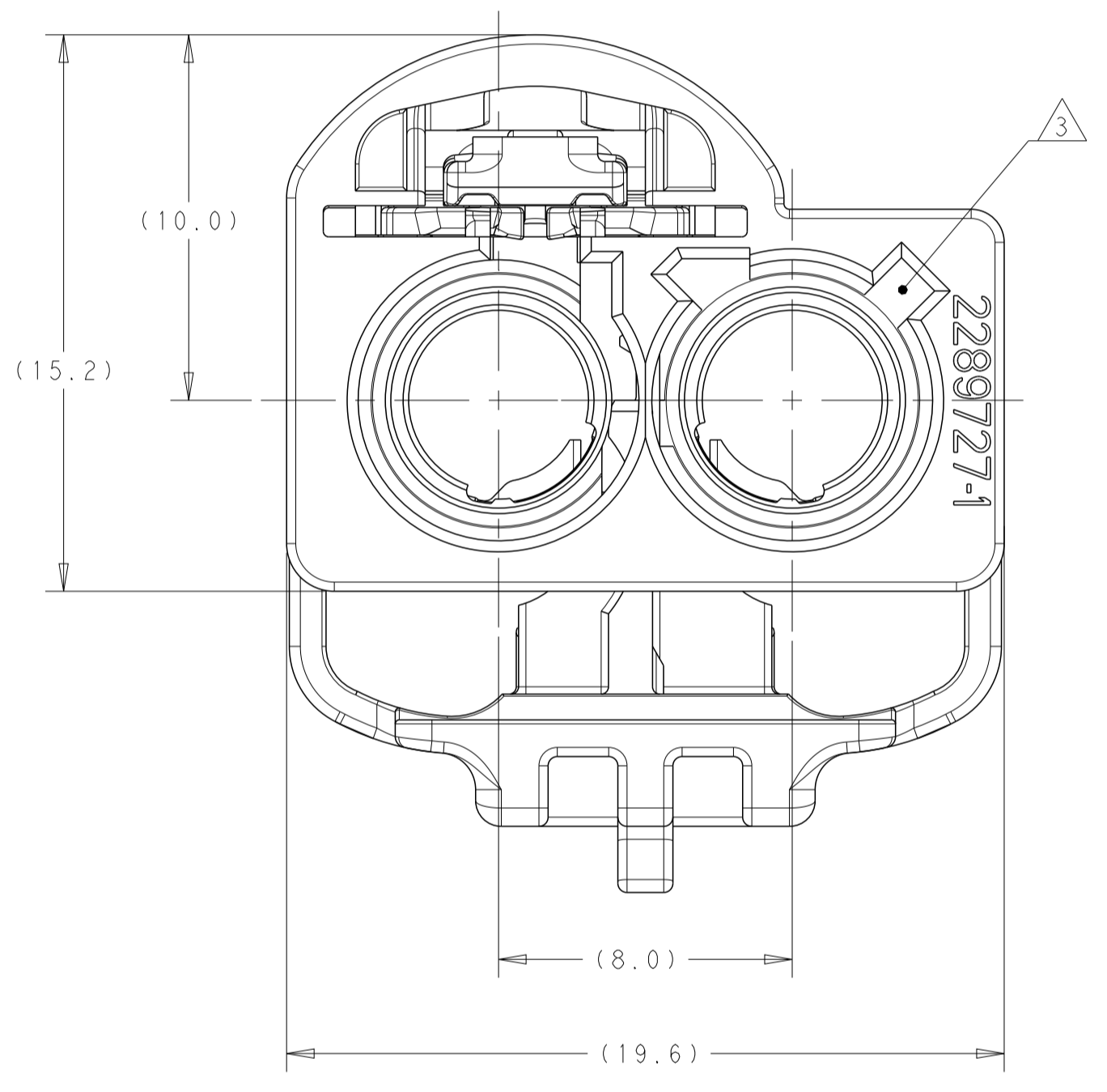
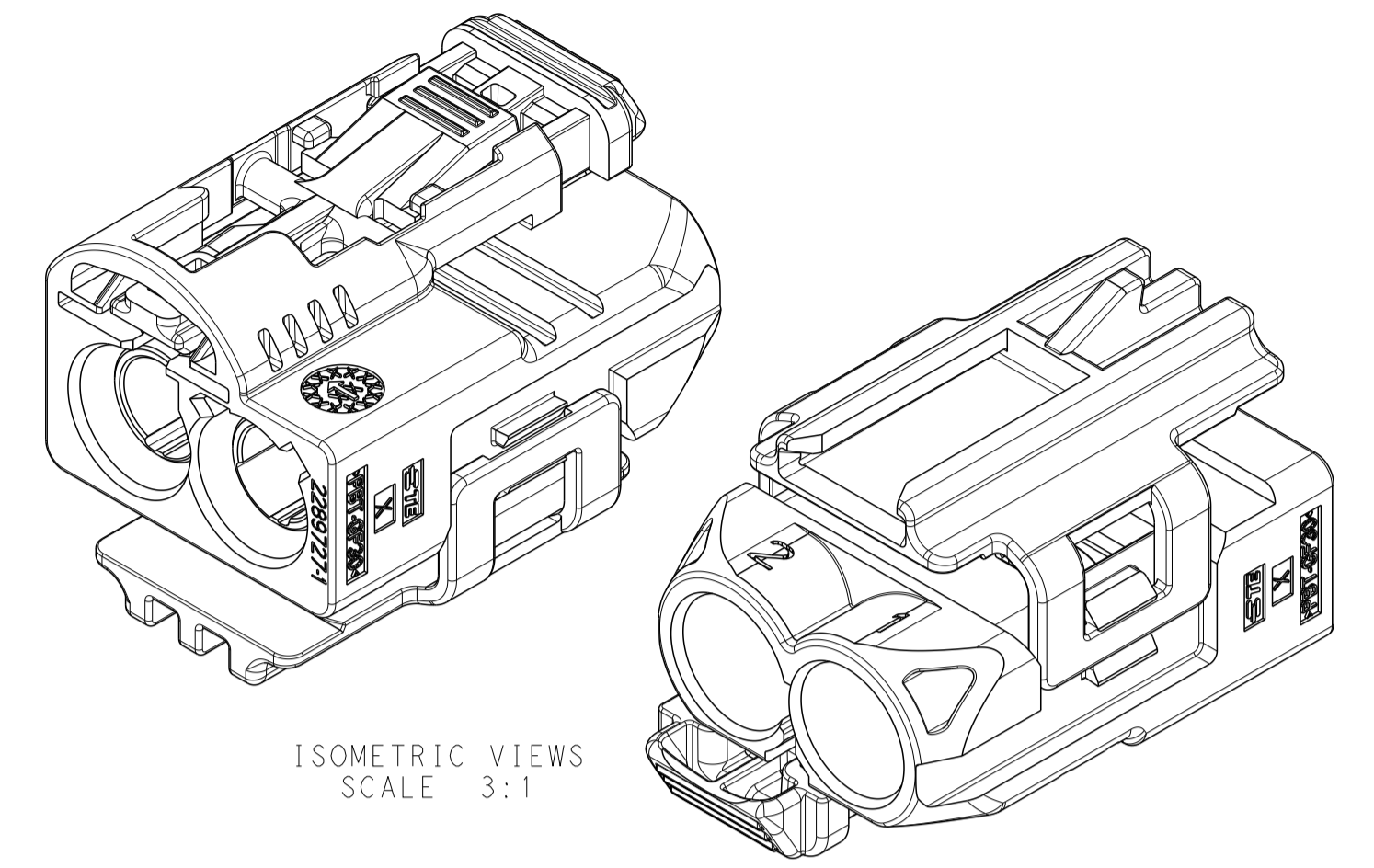
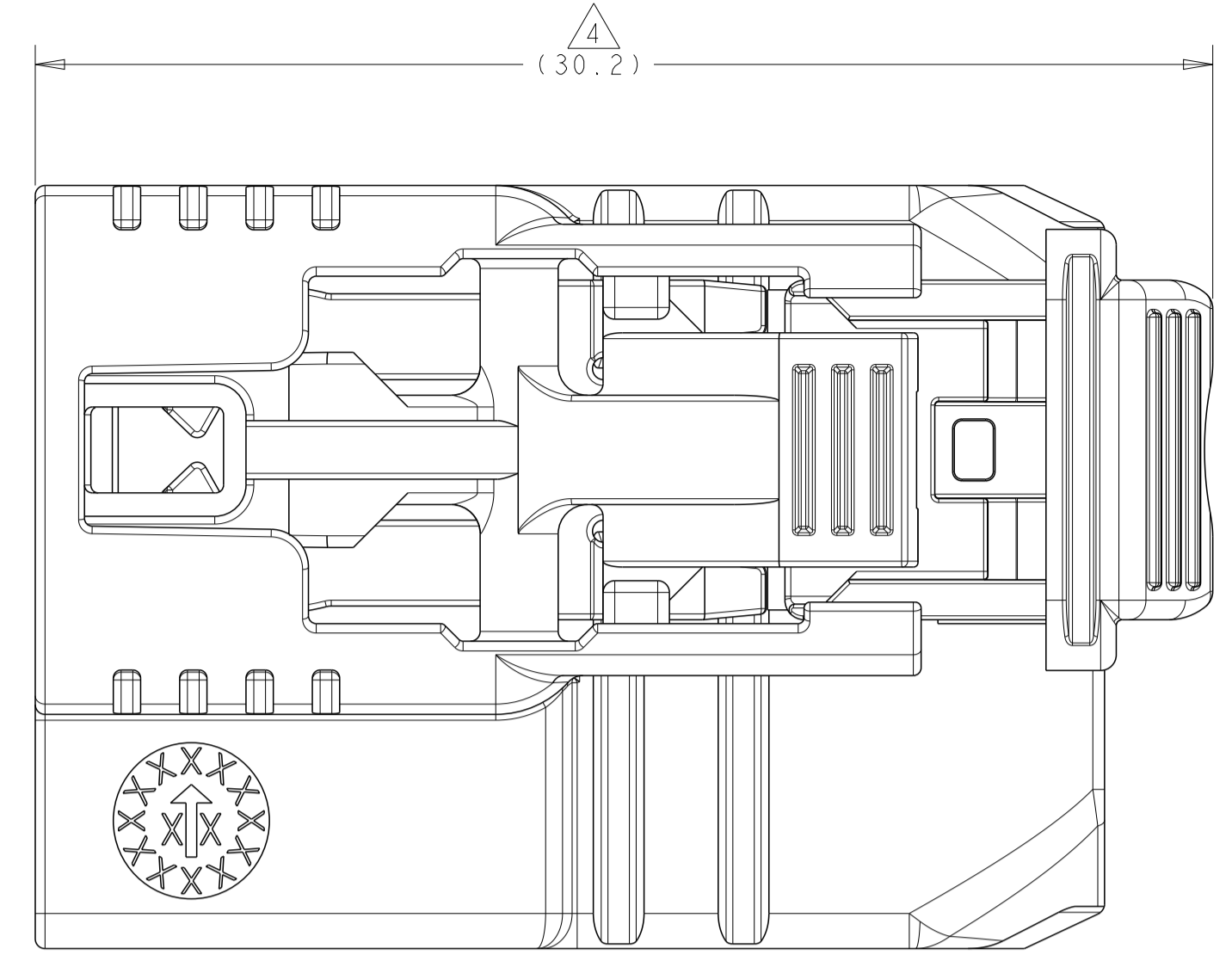
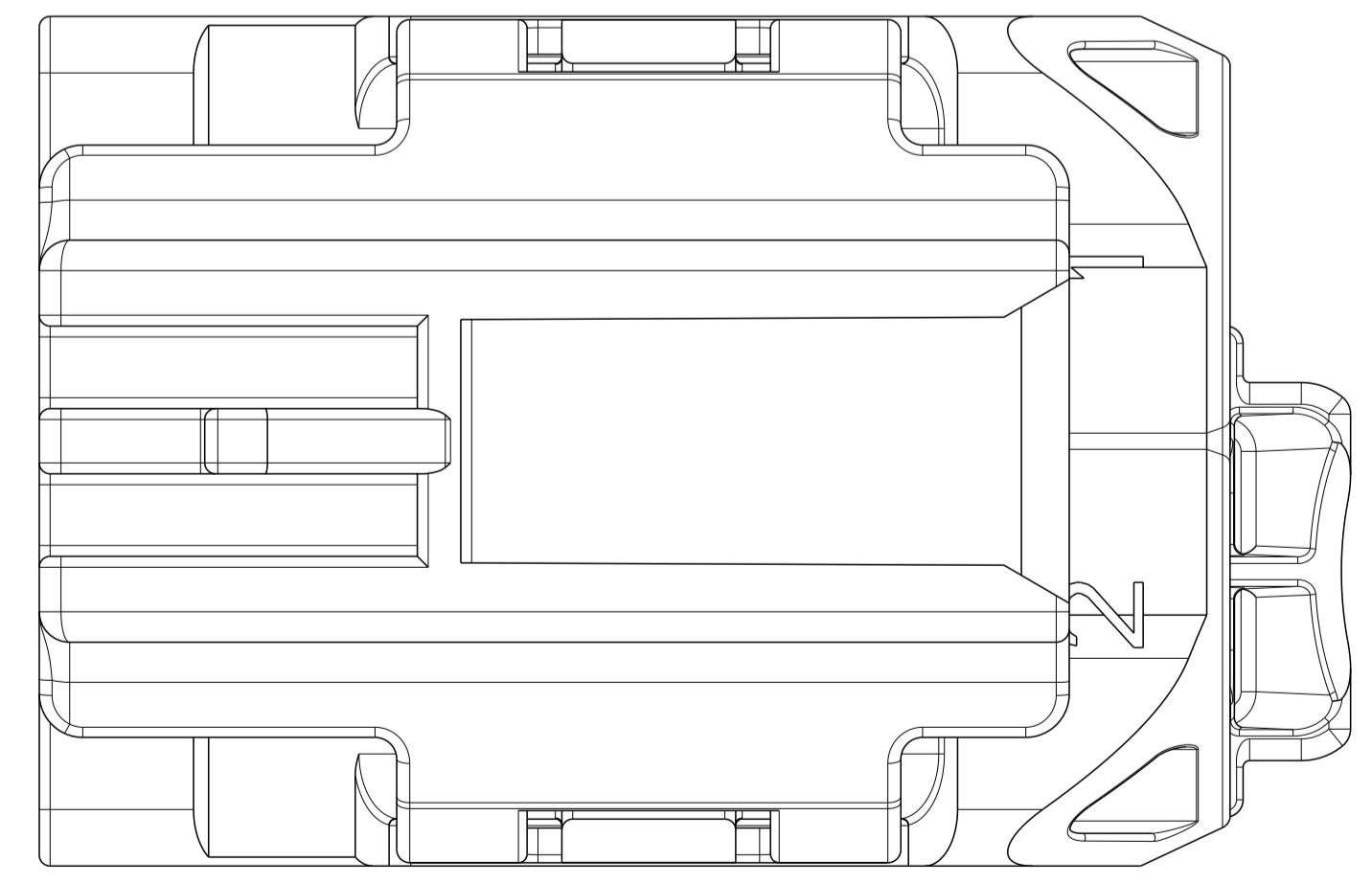


REVISIONS				
P	LTN	DESCRIPTION	DATE	OWN - APVD
A		RELEASED PER ECO-19-002122	11FEB2019	NLE JWH



2289732-1 AS SHOWN



WITHOUT CPA	WITH CPA	COMMENTS	CABLE ASSEMBLY QTY=2	CODING REF	KEYING	CODING COLOR	PART NUMBER
Z	A					WATER BLUE	4-2289732-0
N	Z					PASTEL GREEN	3-2289732-3
M	N					PASTEL ORANGE	3-2289732-2
L	M					CARMINE RED	3-2289732-1
K	L					CURRY	3-2289732-0
I	K					BEIGE	2-2289732-9
H	I					HEATHER VIOLET	2-2289732-8
G	H					BLUE GREY	2-2289732-7
F	G					NUT BROWN	2-2289732-6
E	F					LEAF GREEN	2-2289732-5
D	E					CLARET VIOLET	2-2289732-4
C	D					SIGNAL BLUE	2-2289732-3
B	C					CREAM	2-2289732-2
A	B					JET BLACK	2-2289732-1
Z	A					WATER BLUE	2-2289732-0
N	Z					PASTEL GREEN	1-2289732-3
M	N					PASTEL ORANGE	1-2289732-2
L	M					CARMINE RED	1-2289732-1
K	L					CURRY	1-2289732-0
I	K					BEIGE	2289732-9
H	I					HEATHER VIOLET	2289732-8
G	H					BLUE GREY	2289732-7
F	G					NUT BROWN	2289732-6
E	F					LEAF GREEN	2289732-5
D	E					CLARET VIOLET	2289732-4
C	D					SIGNAL BLUE	2289732-3
B	C					CREAM	2289732-2
A	B					JET BLACK	2289732-1

- 1 HOUSING - POLYESTER PBT, COLOR: SEE TABLE, GLASS FILLED  
 CPA - POLYESTER PBT, COLOR TRAFFIC RED, GLASS FILLED  
 SECONDARY LOCK - POLYESTER PBT, WATER BLUE, GLASS FILLED
- 2 CABLE ASSEMBLY: SEE TABLE.
- 3 FEMALE INTERFACE PER ISO-20860-1, ISO-20860-2, SAE/USCAR-17, SAE/USCAR-18.
- 4 SECONDARY LOCK AND CPA IN PRESET POSITION. IF SECONDARY LOCK IS IN FULLY LOCKED POSITION, SEE 408-162008 FOR INSTRUCTIONS TO RESET SECONDARY LOCK TO PRESET POSITION.

THIS DRAWING IS A CONTROLLED DOCUMENT.

OWN: D. J. HARDY 14APR2015  
 CHK: D. J. LANE 14APR2015  
 APVD: D. J. LANE 14APR2015

TE Connectivity

NAME: FEMALE KIT, CPA, CLIP SLOT, 2 POSITION, FAKRA AUTOMATED

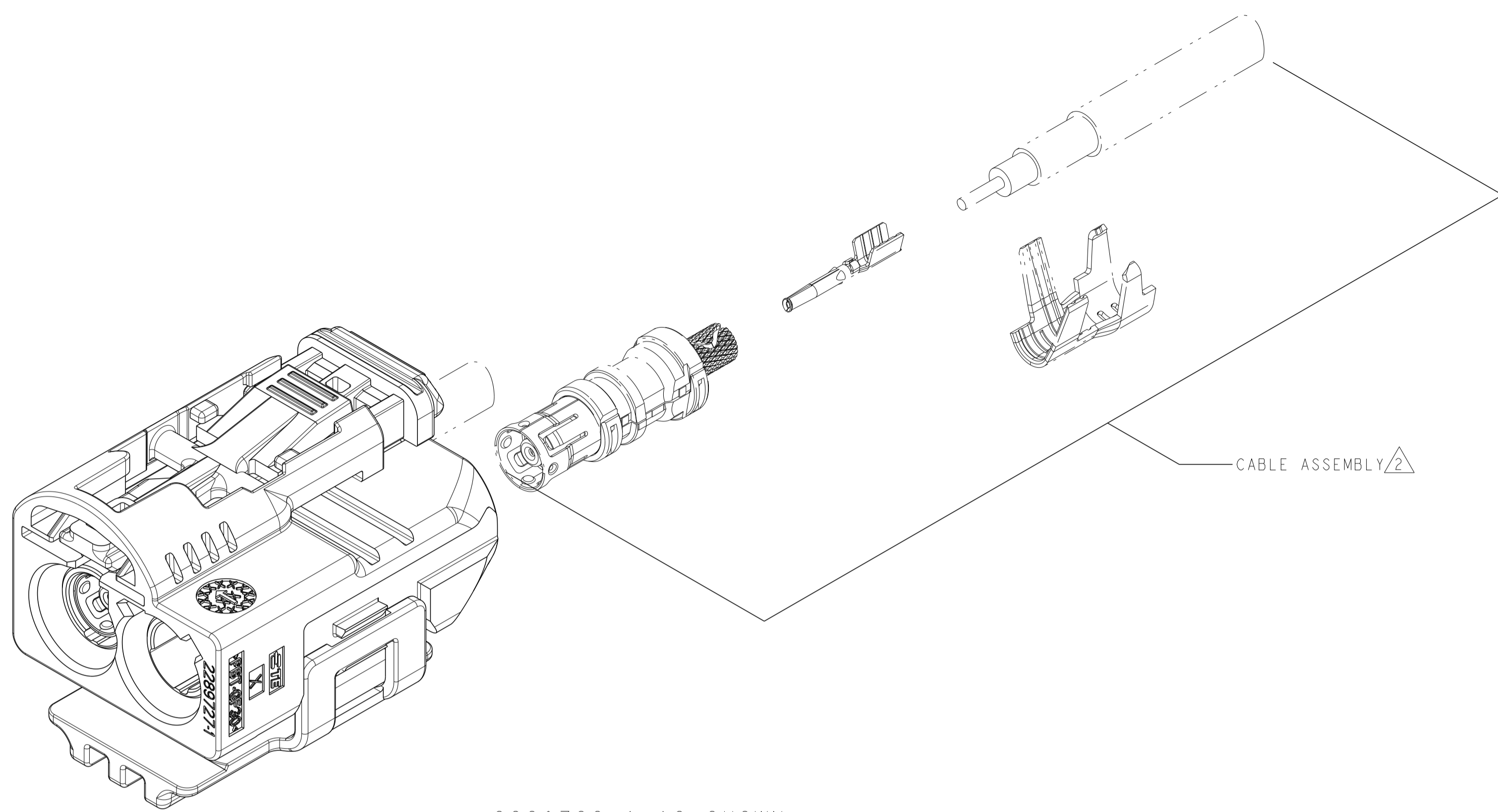
PRODUCT SPEC: 108-32137  
 APPLICATION SPEC: 114-32145

SIZE: A1  
 CAGE CODE: -  
 DRAWING NO: C=2289732

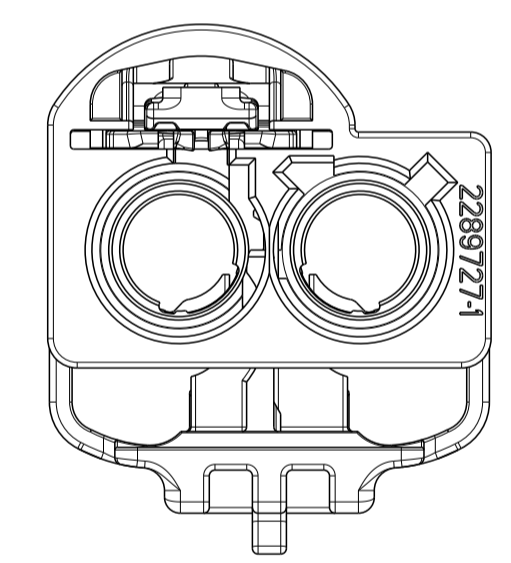
RESTRICTED TO: -

CUSTOMER DRAWING SCALE: 6:1 SHEET 1 OF 2 REV A

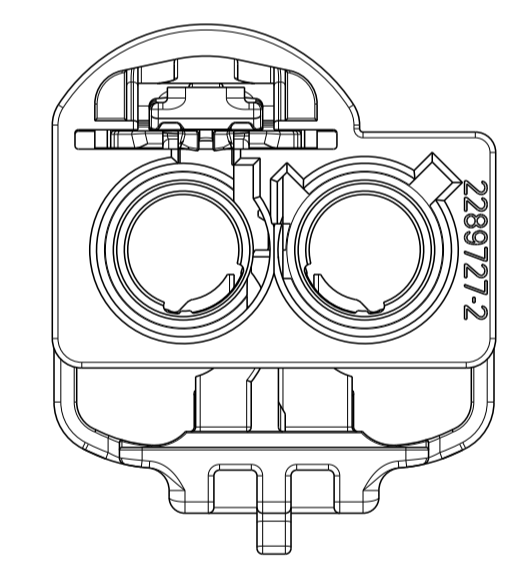
REVISIONS				
P.	LTN	DESCRIPTION	DATE	APVD
-		SEE SHEET 1	-	-



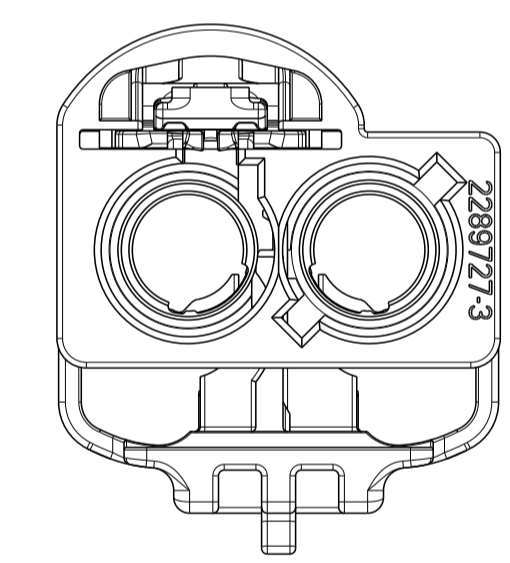
2289732-1 AS SHOWN  
 SCALE 4:1



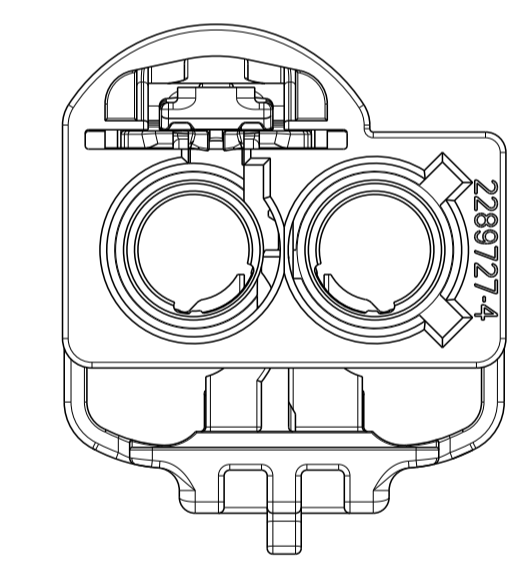
DETAIL A  
 SCALE 3:1



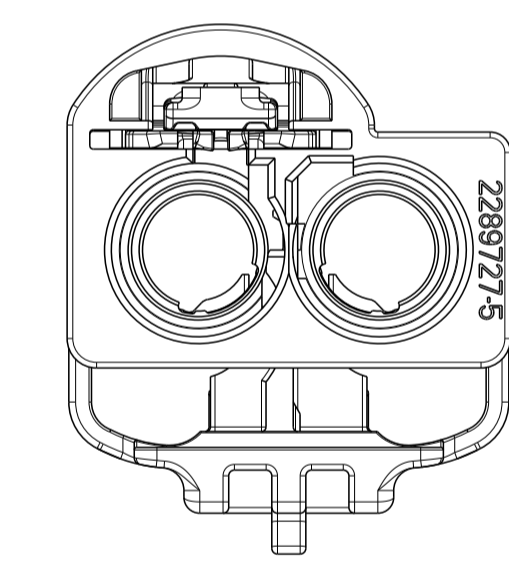
DETAIL B  
 SCALE 3:1



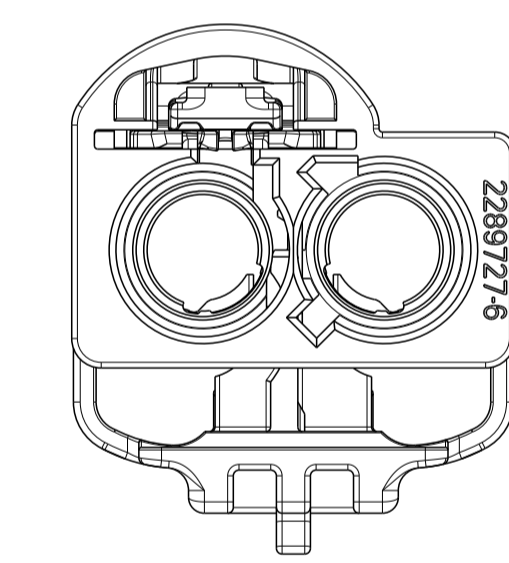
DETAIL C  
 SCALE 3:1



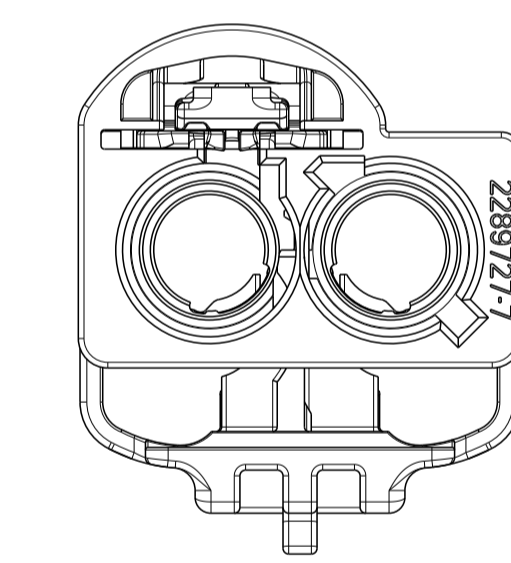
DETAIL D  
 SCALE 3:1



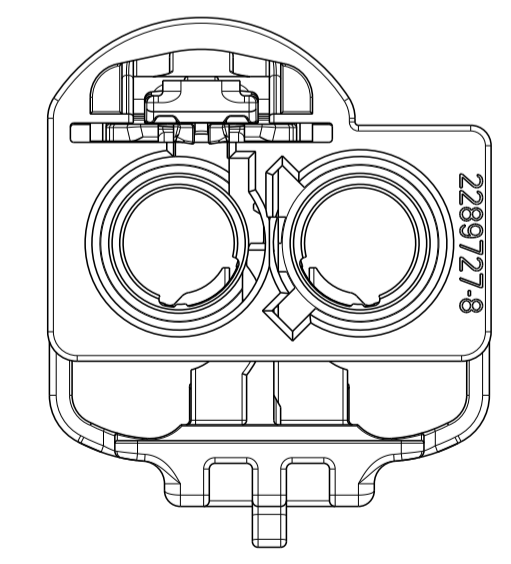
DETAIL E  
 SCALE 3:1



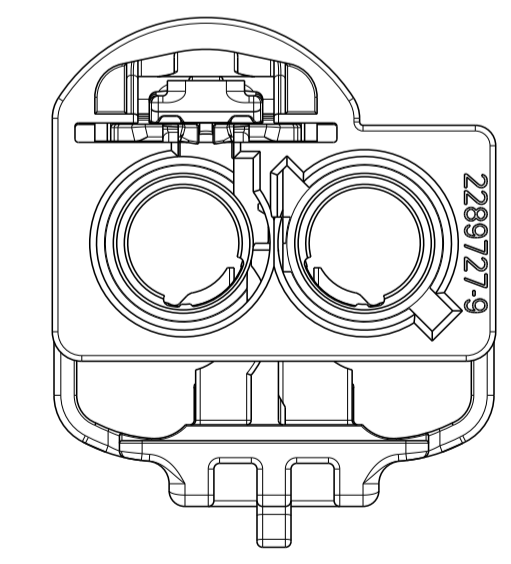
DETAIL F  
 SCALE 3:1



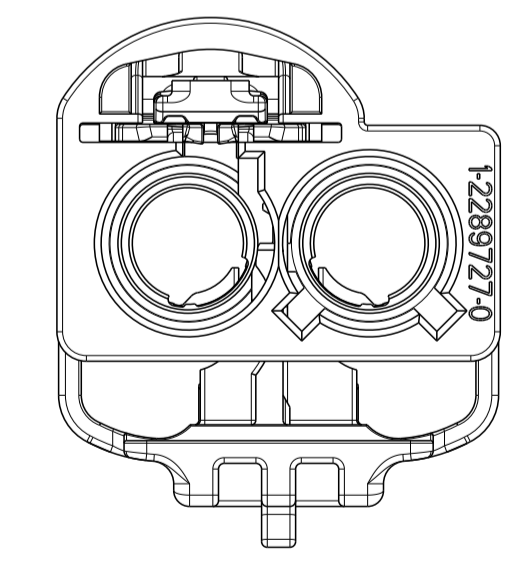
DETAIL G  
 SCALE 3:1



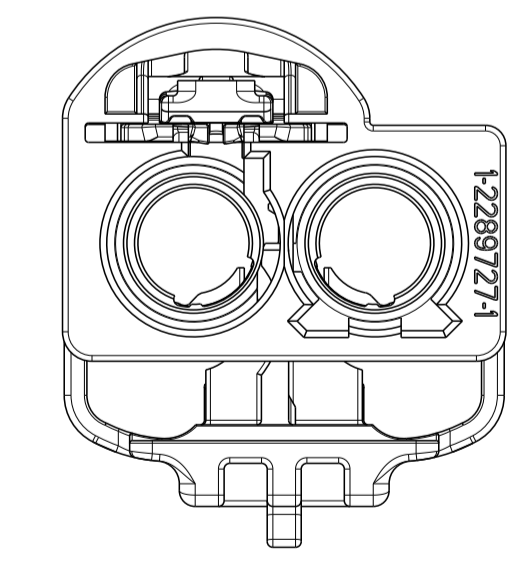
DETAIL H  
 SCALE 3:1



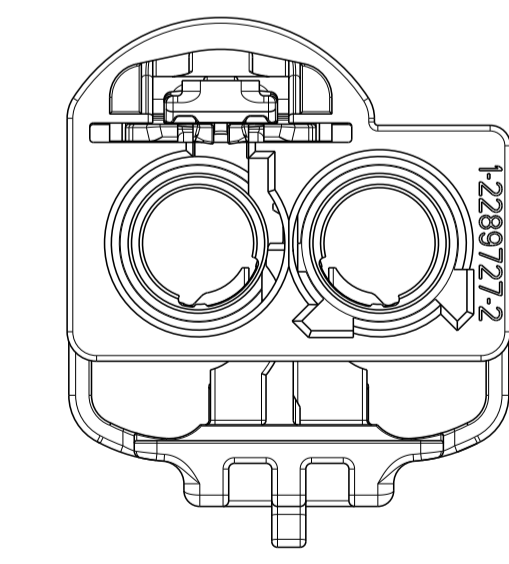
DETAIL I  
 SCALE 3:1



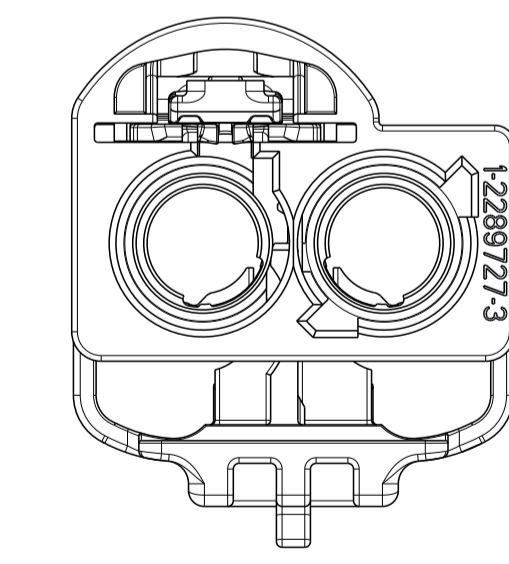
DETAIL K  
 SCALE 3:1



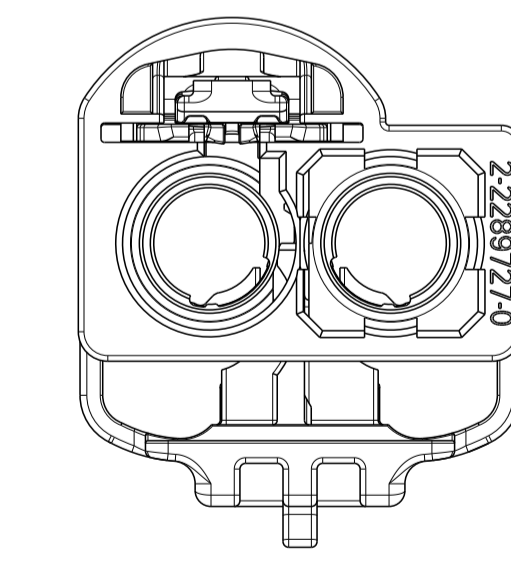
DETAIL L  
 SCALE 3:1



DETAIL M  
 SCALE 3:1



DETAIL N  
 SCALE 3:1



DETAIL Z  
 SCALE 3:1

THIS DRAWING IS A CONTROLLED DOCUMENT.		OWN D. J. HARDY 14APR2015	
DIMENSIONS:		CHK D. J. LANE 14APR2015	
mm	TOLERANCES UNLESS OTHERWISE SPECIFIED:	APVD D. J. LANE 14APR2015	NAME FEMALE KIT, CPA, CLIP SLOT, 2 POSITION, FAKRA AUTOMATED
0 PLC ±	1 PLC ±	PRODUCT SPEC	SIZE A1
2 PLC ±	3 PLC ±	108-32137	CAGE CODE -
4 PLC ±	ANGLES ±	APPLICATION SPEC	DRAWING NO C=2289732
MATERIAL	FINISH	114-32145	RESTRICTED TO -
		WEIGHT	SCALE 6:1
		CUSTOMER DRAWING	SHEET 2 OF 2
			REV A