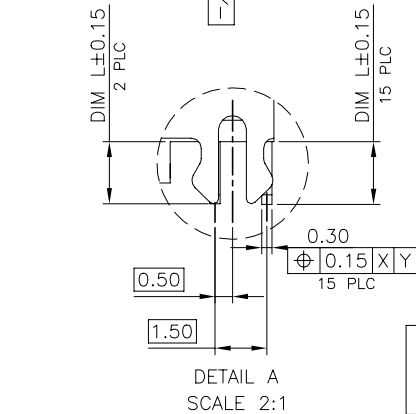
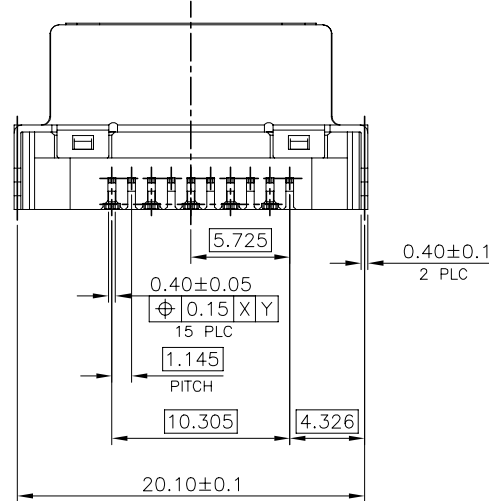
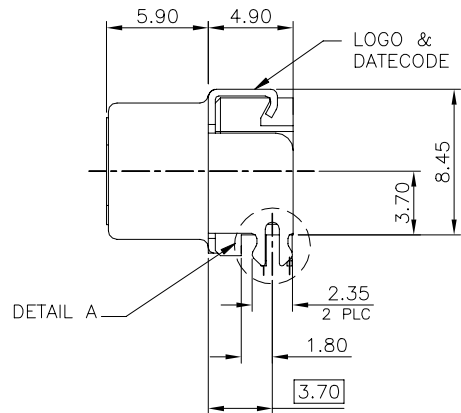
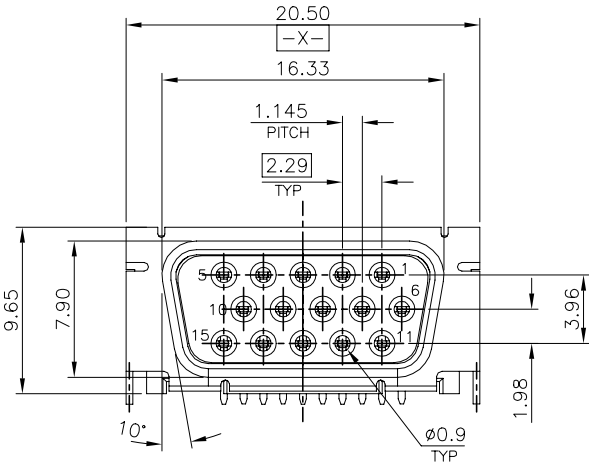


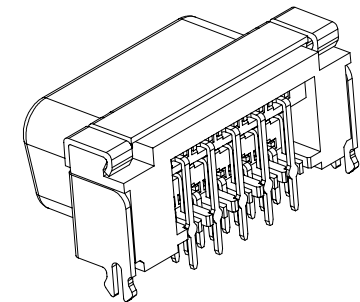
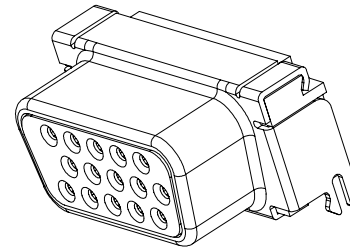
THIS DRAWING IS UNPUBLISHED. RELEASED FOR PUBLICATION
 © COPYRIGHT 2010 BY TYCO ELECTRONICS CORPORATION. ALL RIGHTS RESERVED.

LOC	DIST	REVISIONS			
P	LTR	DESCRIPTION	DATE	DWN	APVD
	C2	ECO-20-002959	02MAR2020	RR	SH



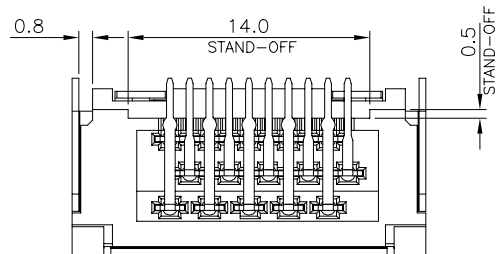
NOTES:

- MATERIAL:
 - 1.1 HOUSING: LCP WITH 30% GF, UL 94V-0, COLOR: BLACK.
 - 1.2 CAP: LCP WITH 30% GF, UL 94V-0, COLOR: BLACK.
 - 1.3 CONTACTS: BRASS.
 - 1.4 SHELL: SPCC.
- FINISH:
 - 2.1 CONTACTS: GOLD FLASH ON CONTACT AREA, 2.54um [100u"] MIN. MATTE-TIN PLATED ON SOLDER TAIL, 1.27um [50u"] MIN. NICKEL UNDERPLATED OVERALL.
 - 2.2 SHELL: 2.54um [100u"] MIN. NICKEL PLATED OVERALL.
- REFLOW SOLDER CAPABLE TO 260°C PER TEC-109-201, METHOD B, CONDITION B.
- LOW HALOGEN SPECIFICATION:
 - CHLORINE(Cl): 900ppm MAX.
 - BROMINE(Br): 900ppm MAX.
 - CHLORINE(Cl)+BROMINE(Br): 1500ppm MAX.



OBSOLETE

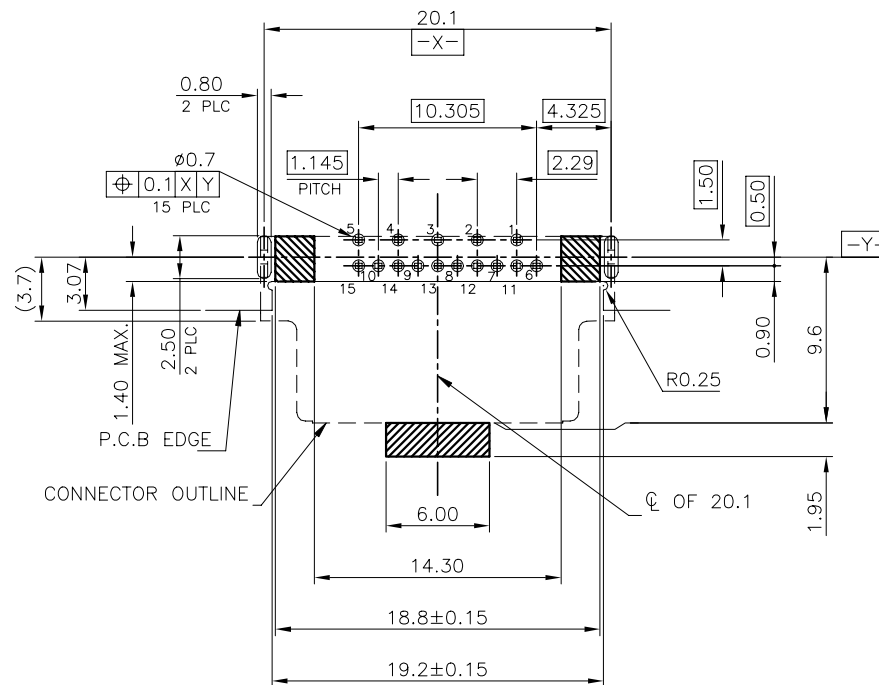
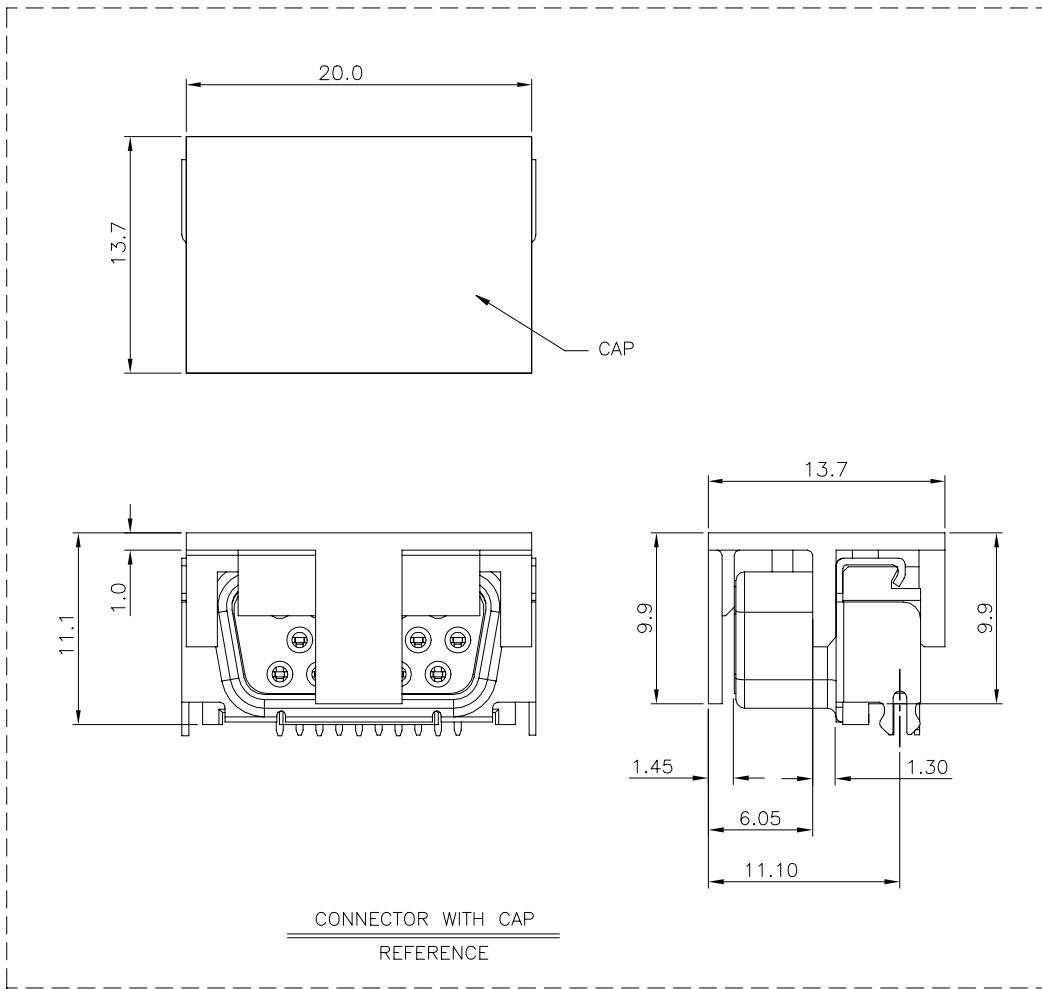
OBSOLETE	1.20	2041372-2
OBSOLETE	1.80	2041372-1
	DIM L	PART NUMBER



THIS DRAWING IS A CONTROLLED DOCUMENT.		DWN J. CHEN 27JUL2011		
DIMENSIONS: mm		CHK S. CHIEN 27JUL2011		
TOLERANCES UNLESS OTHERWISE SPECIFIED:		APVD W. KODAMA 27JUL2011	NAME	
0 PLC ± -		PRODUCT SPEC	D-SUB CONNECTOR, RECEPTACLE ASSEMBLY, 15P, SLIM, RIGHT ANGLE, DIP TYPE, H=8.45mm	
1 PLC ± 0.3		APPLICATION SPEC	108-57868	
2 PLC ± 0.2		WEIGHT	SIZE	CAGE CODE
3 PLC ± 0.15		3.575 GRAMS	A3	00779
4 PLC ± -		CUSTOMER DRAWING	DRAWING NO	RESTRICTED TO
ANGLES ± 3'			C=2041372	
MATERIAL SEE NOTE	FINISH SEE NOTE	SCALE	SHEET	REV
			1 OF 4	C2

THIS DRAWING IS UNPUBLISHED. RELEASED FOR PUBLICATION
 © COPYRIGHT 2010 BY TYCO ELECTRONICS CORPORATION. ALL RIGHTS RESERVED.

LOC		DIST		REVISIONS			
P	LTR	DESCRIPTION		DATE	DWN	APVD	
SEE SHEET 1.							

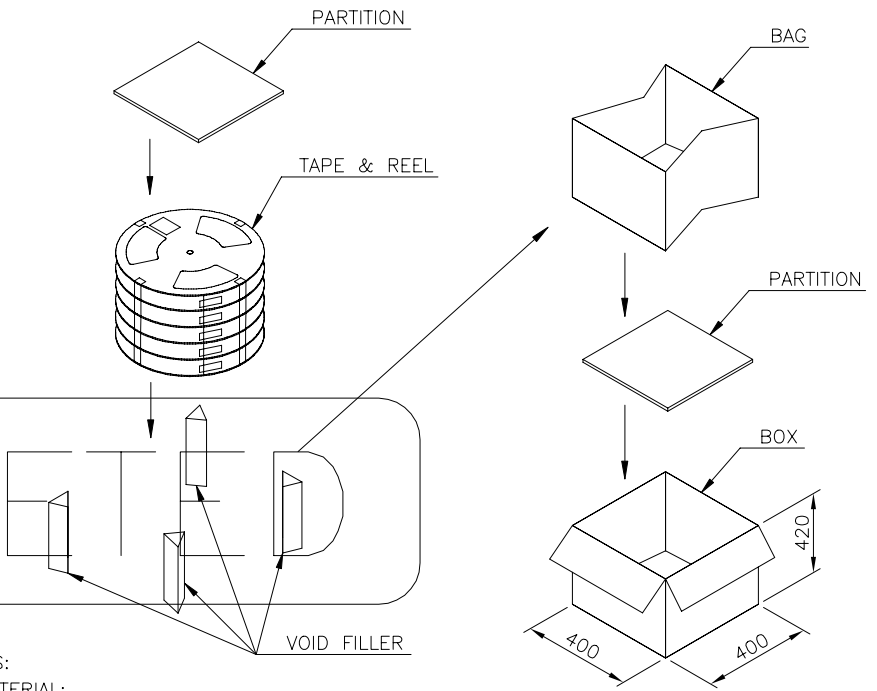
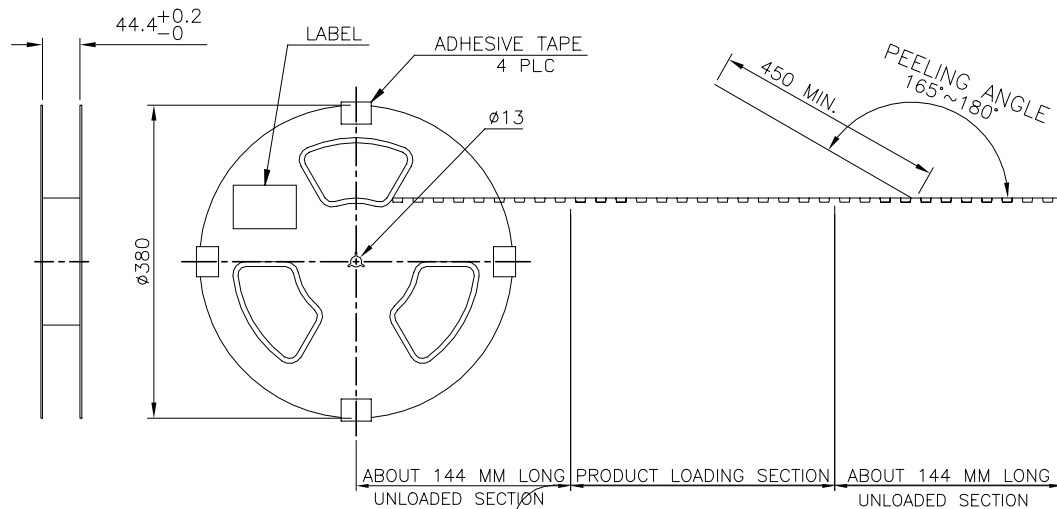


RECOMMENDED P.C.B. LAYOUT (TOP VIEW)
 PCB THICKNESS : 1.2mm, TOLERANCE: ±0.03
 ▨ KEEP OUT AREA FOR CAP STAND AREA
 ▨ KEEP OUT FOR CONNECTOR STAND AREA

THIS DRAWING IS A CONTROLLED DOCUMENT.		DWN		TE Connectivity	
DIMENSIONS: mm		CHK			
TOLERANCES UNLESS OTHERWISE SPECIFIED:		APVD		NAME	
0 PLC ± - 1 PLC ± - 2 PLC ± - 3 PLC ± - 4 PLC ± - ANGLES ± -		PRODUCT SPEC		D-SUB CONNECTOR, RECEPTACLE ASSEMBLY, 15P, SLIM, RIGHT ANGLE, DIP TYPE, H=8.45mm	
MATERIAL		FINISH		APPLICATION SPEC	
		WEIGHT		SIZE CAGE CODE DRAWING NO	
		CUSTOMER DRAWING		A3 00779 C=2041372	
		SCALE		RESTRICTED TO	
		SHEET 2 OF 4		REV C2	

THIS DRAWING IS UNPUBLISHED. RELEASED FOR PUBLICATION
 © COPYRIGHT 2010 BY TYCO ELECTRONICS CORPORATION. ALL RIGHTS RESERVED.

LOC	DIST	REVISIONS			
P	LTR	DESCRIPTION	DATE	DWN	APVD
DW		SEE SHEET 1.			



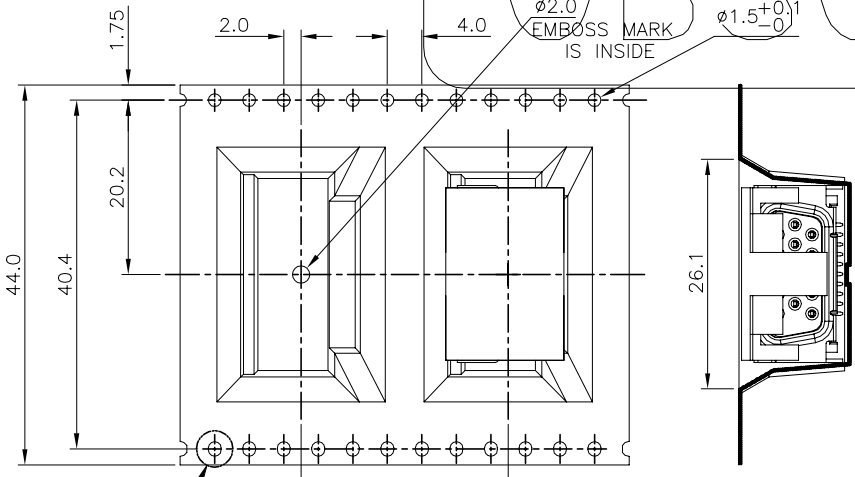
SOLE MOUNTED

PULL OUT DIRECTION

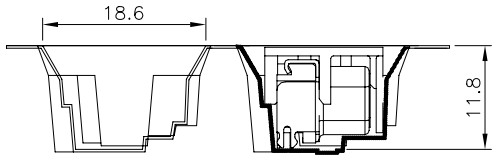
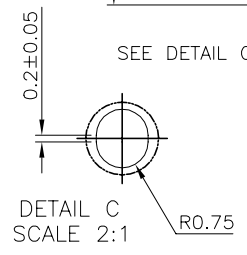
$\phi 2.0$ EMBOSS MARK IS INSIDE

$\phi 1.5^{+0.1}_{-0}$

- NOTES:
- MATERIAL:
 CARRIER TAPE: PS.
 COVER TAPE: PET.
 REEL: PS.
 SHIPPING BOX: CORRUGATED FIBERBOARD.
 - PEELING RESISTANCE : 10gf~130gf
 - PEELING SPEED : 300mm/MINUTE



OBSELETE	12.25 KG	8.87 KG	310	8	2480	2041372
	GROSS WEIGHT	NET WEIGHT	PCS/ REEL	REELS/ BOX	PCS/ BOX	PART NUMBER

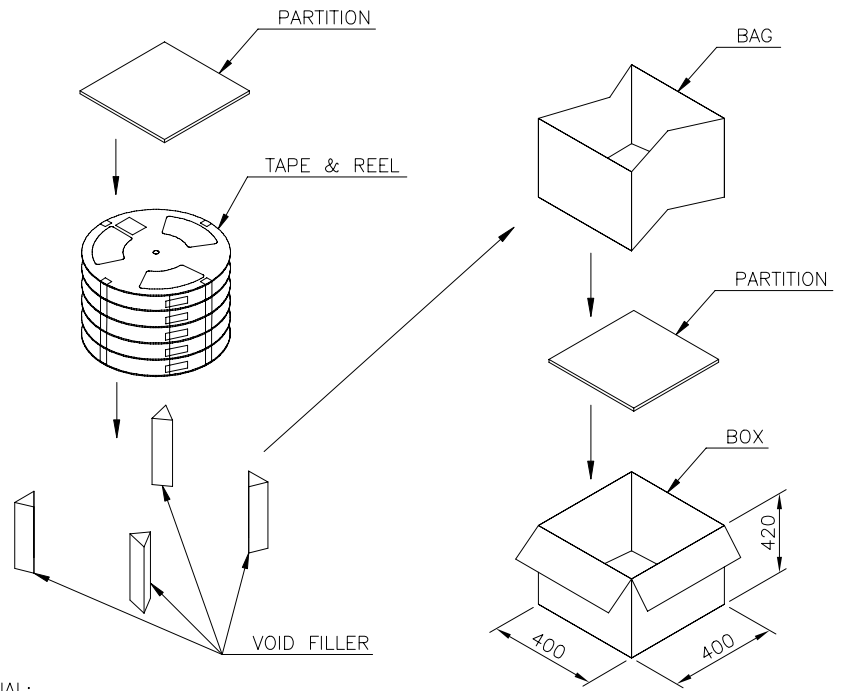
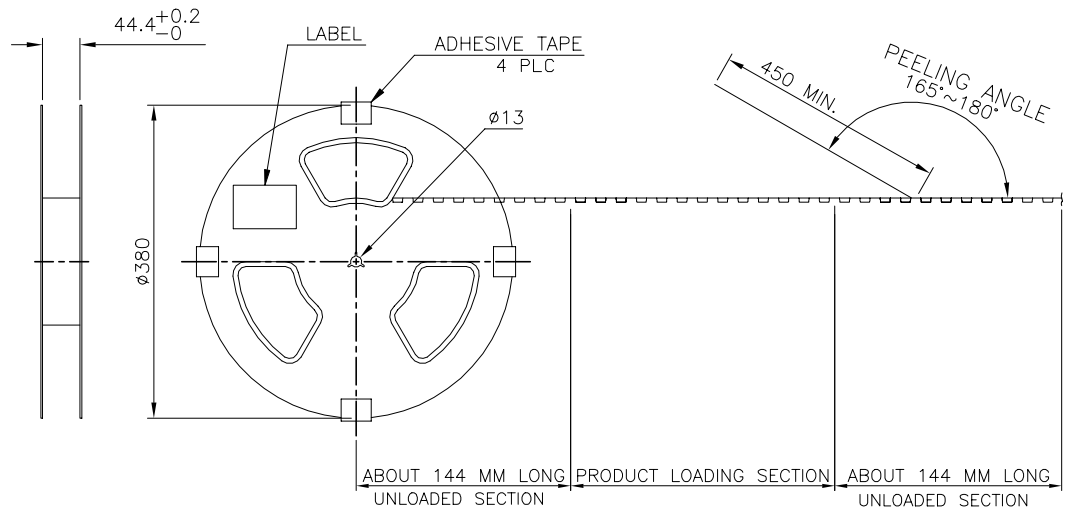


THIS DRAWING IS A CONTROLLED DOCUMENT.

DIMENSIONS: mm	TOLERANCES UNLESS OTHERWISE SPECIFIED:	DWN	TE Connectivity	
	0 PLC ±	CHK	NAME	
	1 PLC ±	APVD	D-SUB CONNECTOR, RECEPTACLE ASSEMBLY, 15P, SLIM, RIGHT ANGLE, DIP TYPE, H=8.45mm	
	2 PLC ±	PRODUCT SPEC	SIZE	CAGE CODE
	3 PLC ±	APPLICATION SPEC	A3	00779
	4 PLC ±	WEIGHT	DRAWING NO	RESTRICTED TO
	ANGLES ±	CUSTOMER DRAWING	C=2041372	
MATERIAL	FINISH	SCALE	SHEET	REV
			3 OF 4	C2

THIS DRAWING IS UNPUBLISHED. RELEASED FOR PUBLICATION
 © COPYRIGHT 2010 BY TYCO ELECTRONICS CORPORATION. ALL RIGHTS RESERVED.

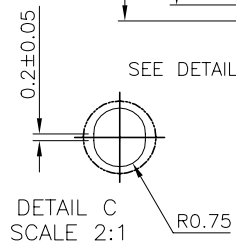
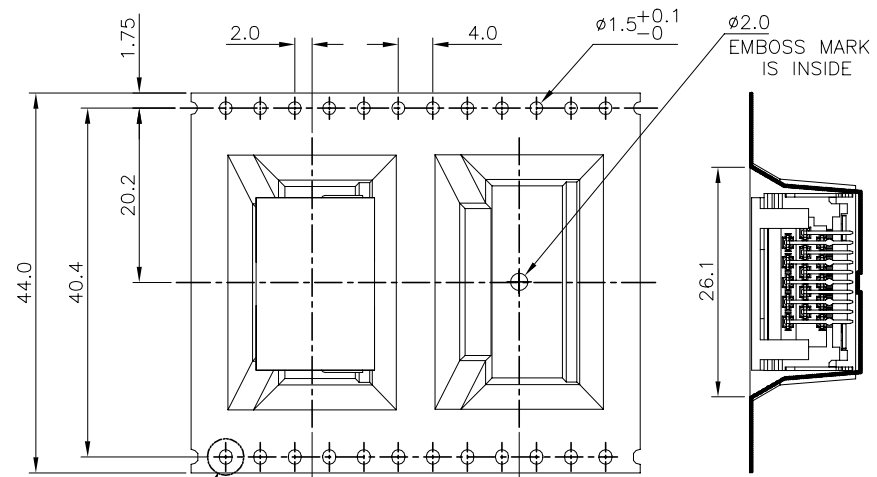
LOC	DIST	REVISIONS			
P	LTR	DESCRIPTION	DATE	DWN	APVD
DW		SEE SHEET 1.			



- NOTES:
- MATERIAL:
 CARRIER TAPE: PS.
 COVER TAPE: PET.
 REEL: PS.
 SHIPPING BOX: CORRUGATED FIBERBOARD.
 - PEELING RESISTANCE : 10gf~130gf
 - PEELING SPEED : 300mm/MINUTE

12.25 KG	8.87 KG	310	8	2480	2041372-2
GROSS WEIGHT	NET WEIGHT	PCS/ REEL	REELS/ BOX	PCS/ BOX	PART NUMBER

PULL OUT DIRECTION



THIS DRAWING IS A CONTROLLED DOCUMENT.

DIMENSIONS: mm	TOLERANCES UNLESS OTHERWISE SPECIFIED:	DWN	TE Connectivity D-SUB CONNECTOR, RECEPTACLE ASSEMBLY, 15P, SLIM, RIGHT ANGLE, DIP TYPE, H=8.45mm
	0 PLC ±	CHK	
	1 PLC ±	APVD	
	2 PLC ±	PRODUCT SPEC	
	3 PLC ±	APPLICATION SPEC	
MATERIAL	FINISH	WEIGHT	RESTRICTED TO
		CUSTOMER DRAWING	SIZE A3 CAGE CODE 00779 DRAWING NO C=2041372 SCALE SHEET 4 OF 4 REV C2