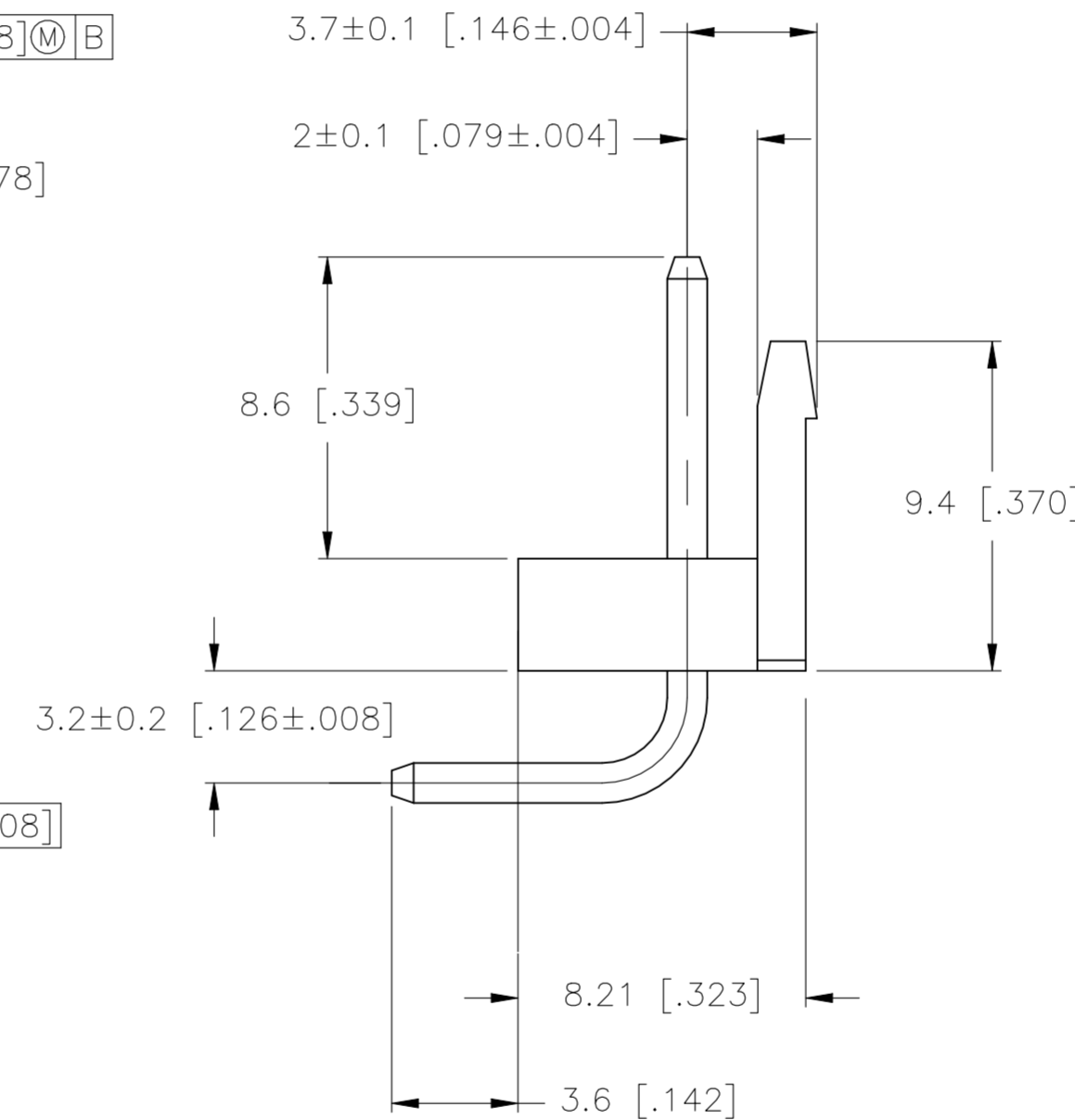
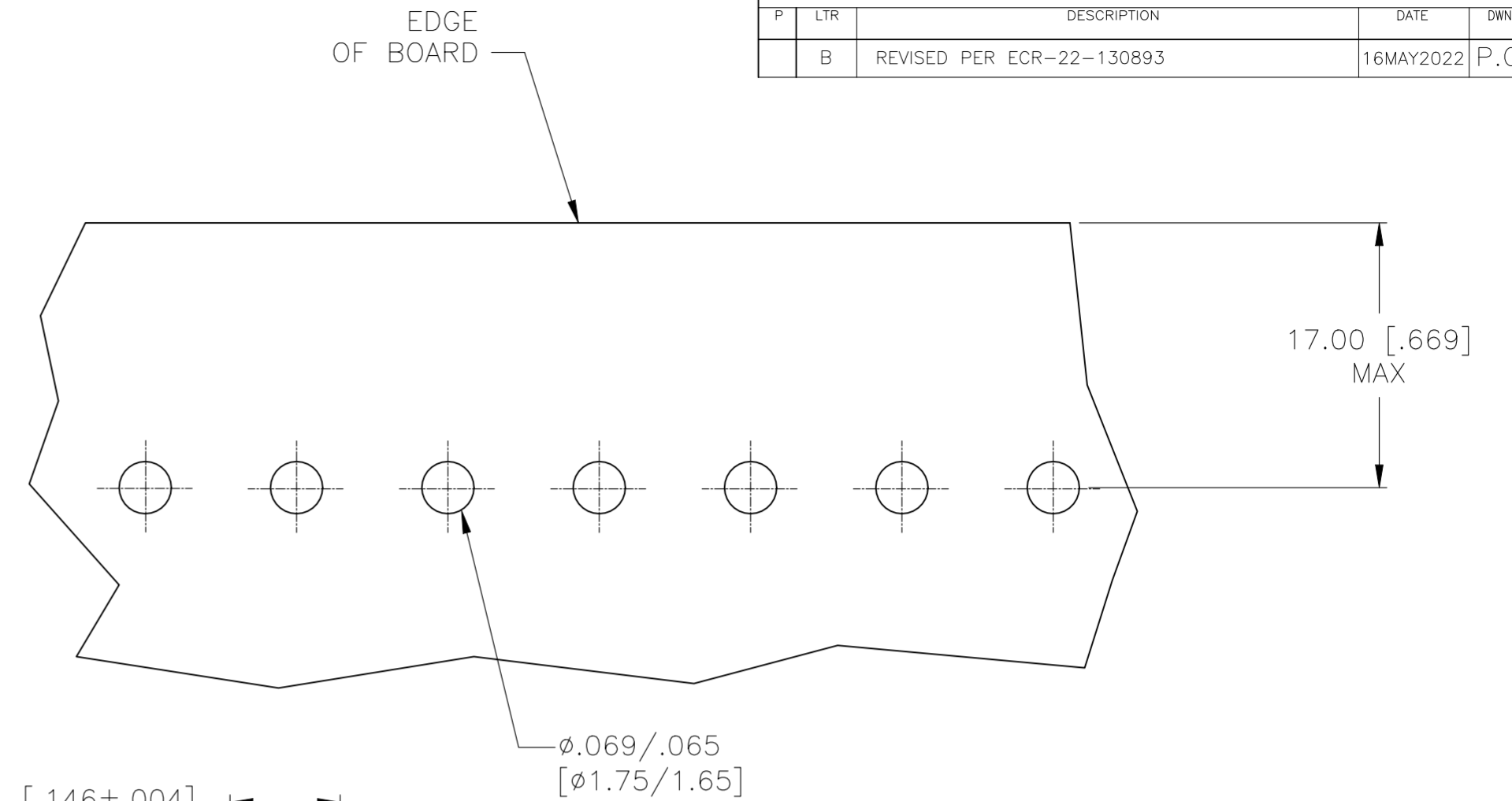
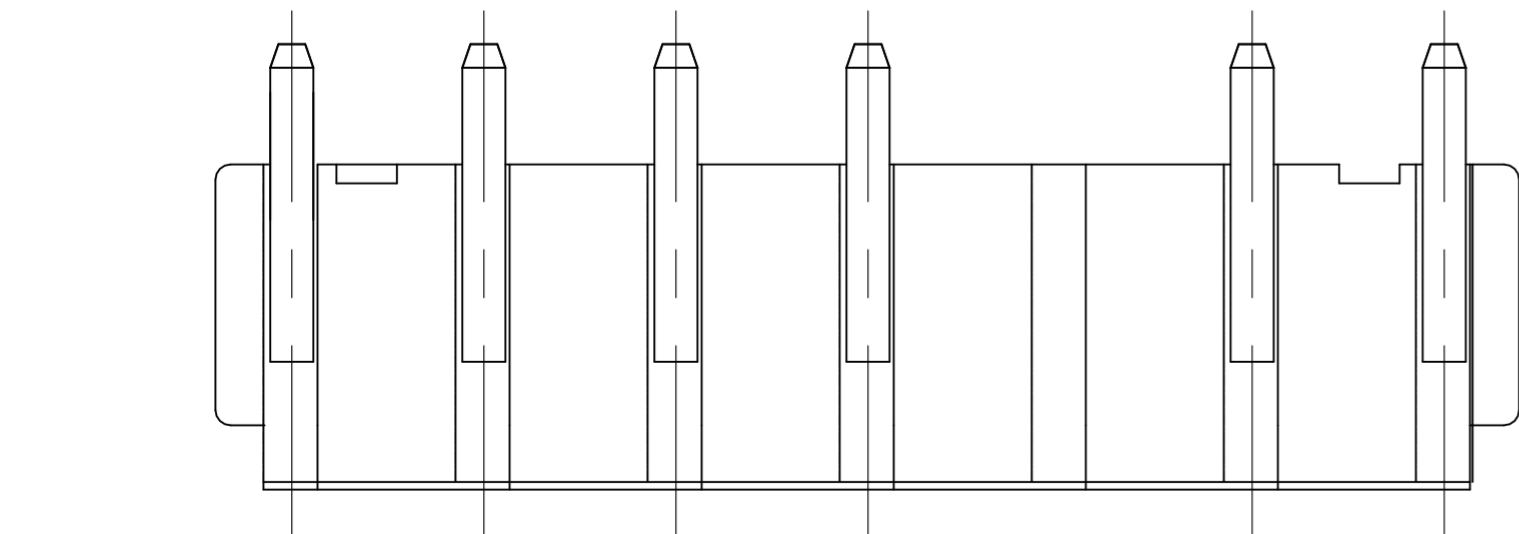
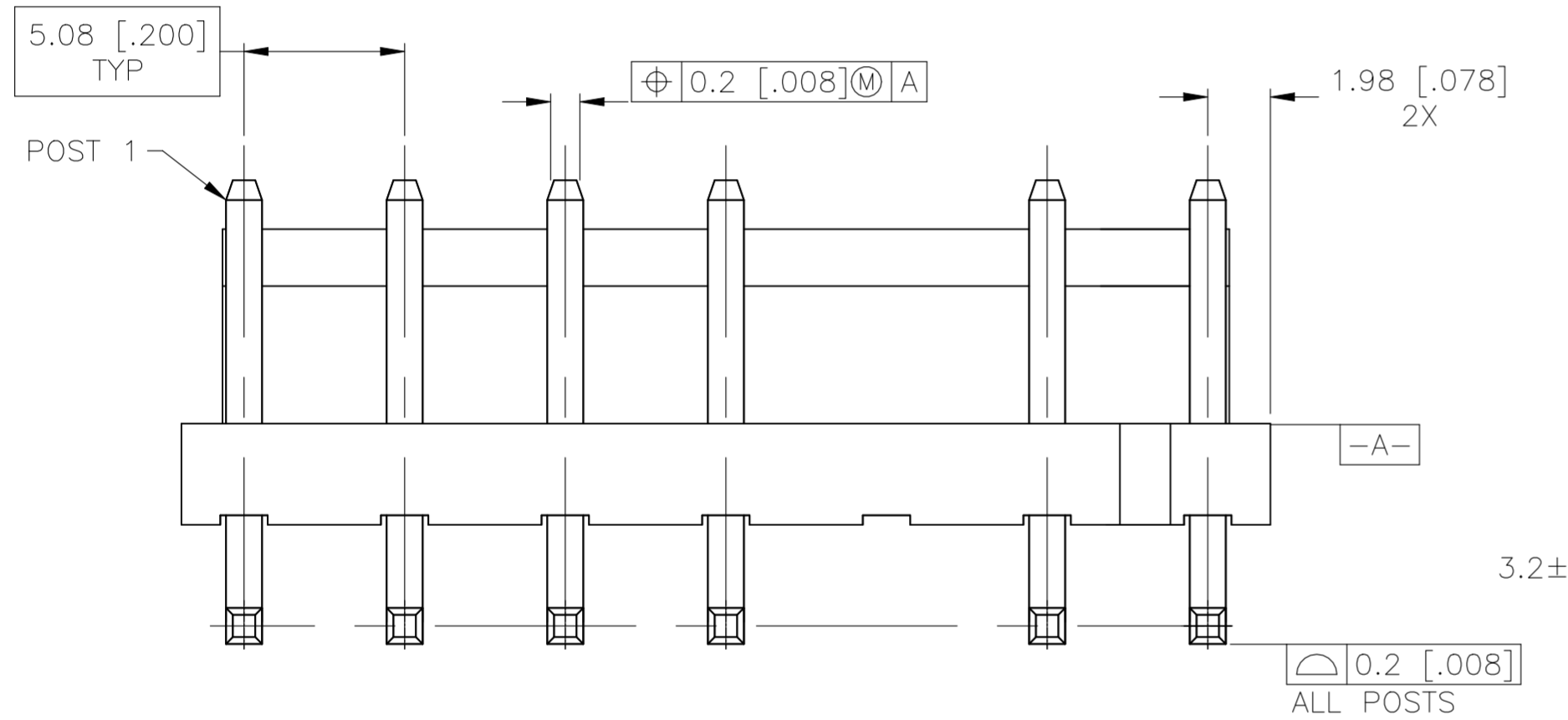
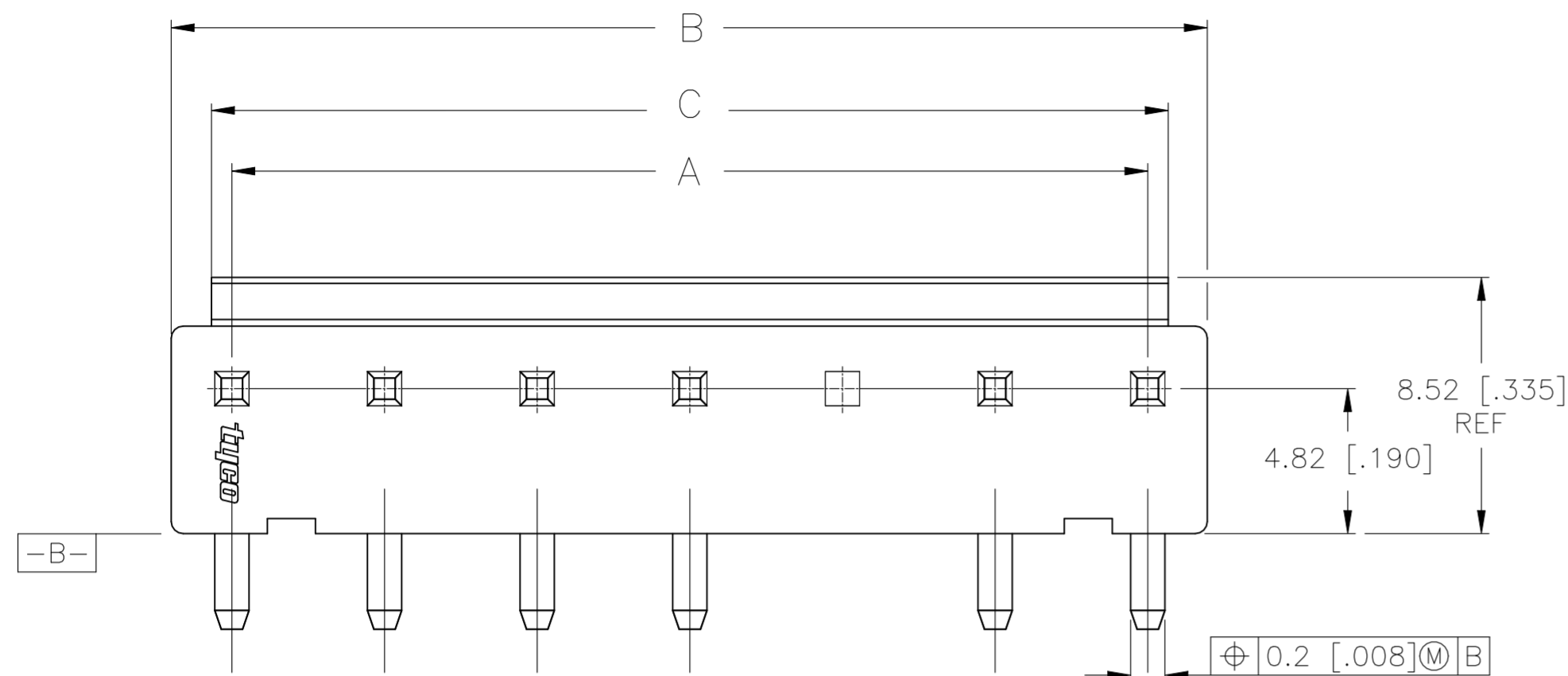


REVISIONS					
P	LTR	DESCRIPTION	DATE	DWN	APVD
B		REVISED PER ECR-22-130893	16MAY2022	P.C	D.Z



- 1. HOUSING MATERIAL: NYLON 66, UL 94V-0, NATURAL.
- 2. CONTACT MATERIAL: COPPER ALLOY
- 3. CONTACT PLATING: 0.003[.000120] MIN TIN OVER 0.001[.000039] MIN NICKEL.

31.82 [1.253]	34.44 [1.356]	30.48 [1.200]	1744067-7
DIM C ±0.2 [.008]	DIM B ±0.3 [.012]	DIM A ±0.3 [.012]	PART NUMBER

METRIC

THIS DRAWING IS A CONTROLLED DOCUMENT.

DIMENSIONS: mm [INCHES]	TOLERANCES UNLESS OTHERWISE SPECIFIED: 0 PLC ± - 1 PLC ± 0.25 [.010] 2 PLC ± 0.15 [.006] 3 PLC ± - 4 PLC ± - ANGLES ± - FINISH	DWN S. HOOVER 28-APR-2004 CHK J. ELLIS 28-APR-2004 APVD J. ELLIS 28-APR-2004 PRODUCT SPEC APPLICATION SPEC	NAME STE TE Connectivity HEATER ASSEMBLY-ECONOMY POWER RIGHT ANGLE, .200 CENTER LINE, 7 POSITION, OMIT NO. 5
MATERIAL SEE NOTES	WEIGHT 0.000000	SIZE A2 CAGE CODE 00779 DRAWING NO C=1744067	RESTRICTED TO -
CUSTOMER DRAWING		SCALE 5:1	SHEET 1 OF 1 REV B