


Protective covers - HC-B 10-TMB-SD-IP65 - 1690943

Please be informed that the data shown in this PDF Document is generated from our Online Catalog. Please find the complete data in the user's documentation. Our General Terms of Use for Downloads are valid (<http://phoenixcontact.com/download>)



HEAVYCON ADVANCE IP65 protective cover B10, with bayonet locking, with retaining cord, diameter of retaining cord eyelet 3 mm

Key Commercial Data

Packing unit	10 pc
GTIN	 4 017918 980351
GTIN	4017918980351

Technical data

Dimensions

Length	103 mm
Width	55 mm
Height	31.2 mm
Diameter of retaining cord eyelet	3.5 mm

Ambient conditions

Degree of protection	IP65
Ambient temperature (operation)	-20 °C ... 100 °C

General

Size	B10
Type	HC-ADVANCE protective cover
Material	PA
Seal material	NBR
Locking latch material	High-grade steel, handle: PA-GF
Flammability rating according to UL 94	V0
Color	gray
Seal present	yes

Protective covers - HC-B 10-TMB-SD-IP65 - 1690943

Technical data

Standards and Regulations

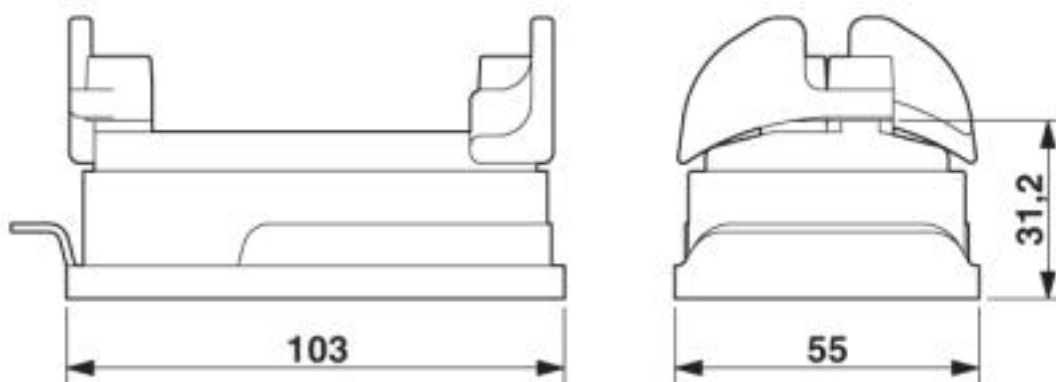
Flammability rating according to UL 94	V0
--	----

Environmental Product Compliance

China RoHS	Environmentally friendly use period: unlimited = EFUP-e
	No hazardous substances above threshold values

Drawings

Dimensional drawing



Dimensional drawing

Approvals

Approvals

Approvals

EAC

Ex Approvals

Approval details

EAC		RU C- DE.AI30.B.01102
-----	--	--------------------------

Phoenix Contact 2019 © - all rights reserved
<http://www.phoenixcontact.com>

PHOENIX CONTACT GmbH & Co. KG
Flachsmarktstr. 8
32825 Blomberg
Germany
Tel. +49 5235 300
Fax +49 5235 3 41200
<http://www.phoenixcontact.com>