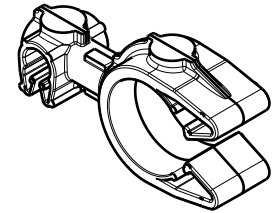
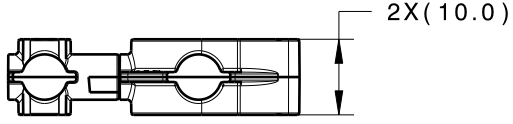
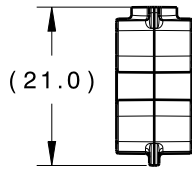
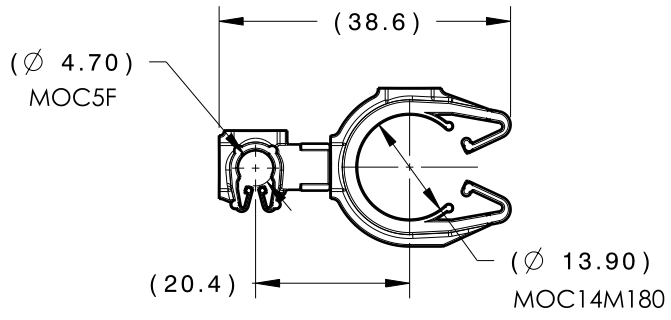


Revision Level			Revision Record	Changed	Date	Approved	Date
Drawing	State	Part					
00.1	Design Release	-	SEE ECN# 014769	TAT	11/28/2018	EJH	11/28/2018

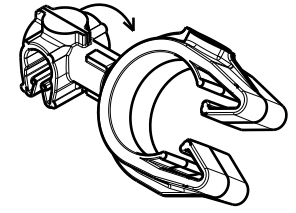


ISOMETRIC VIEW



TYPE	MOC5F	MOC14M180
HARNESS	4.5MM - 5.5MM	13.0MM - 15.0MM
HOSE	4.0MM - 5.3MM	13.0MM - 15.0MM
HARD PIPE/TUBE	4.8MM - 5.5MM	14.0MM - 15.8MM

CLIPS ROTATE 360 DEGREES



ISOMETRIC VIEW ROTATED

\*RECOMMENDED SIZES MAY DIFFER DEPENDING ON THE APPLICATION , PRODUCT REQUIREMENTS AND MATERIALS USED

\*\*PATENT PENDING 29/582,271

GLOBAL PART DESCRIPTION	MOC5F			MOC14M**		
	DRAWING	MATERIAL	COLOR	DRAWING	MATERIAL	COLOR
MOC5FMOC14M180-PA66HIRHSUV-BK	16-0313-000-CSU	PA66HIRHSUV	BLACK	16-0320-000-CSU	PA66HIRHSUV	BLACK

Material SEE CHART COLOR: SEE CHART	Units	millimeters	The copyright of this drawing is reserved by HellermannTyton. It is issued on condition that it is not reproduced, copied or disclosed to a third party, either wholly or in part, without the consent of HellermannTyton.	Drawn	CJR	8/8/18	Article/Type-No	MOC5FMOC14M180		Scale	1:1
	Tolerance defined on each dimension	Approved		TAT	8/9/18	Title		5MM MOC COUPLED TO A 14MM MOC M180		Project Number	16-0330
		<b>HellermannTyton</b>			Drawing-No		PRODUCTION : Phase		Format	AH	
							North America Email: corp@htamericas.com Web: www.hellermann.tyton.com		<b>16-0330-145-CSU</b>		Sheet