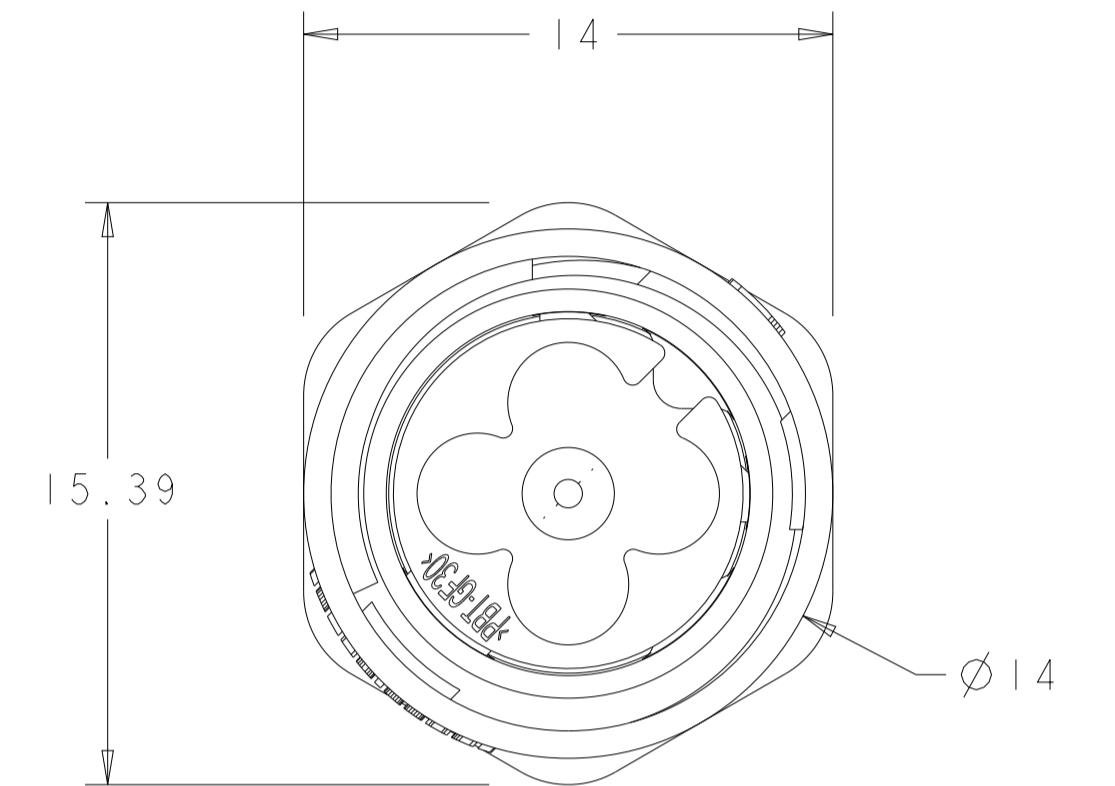
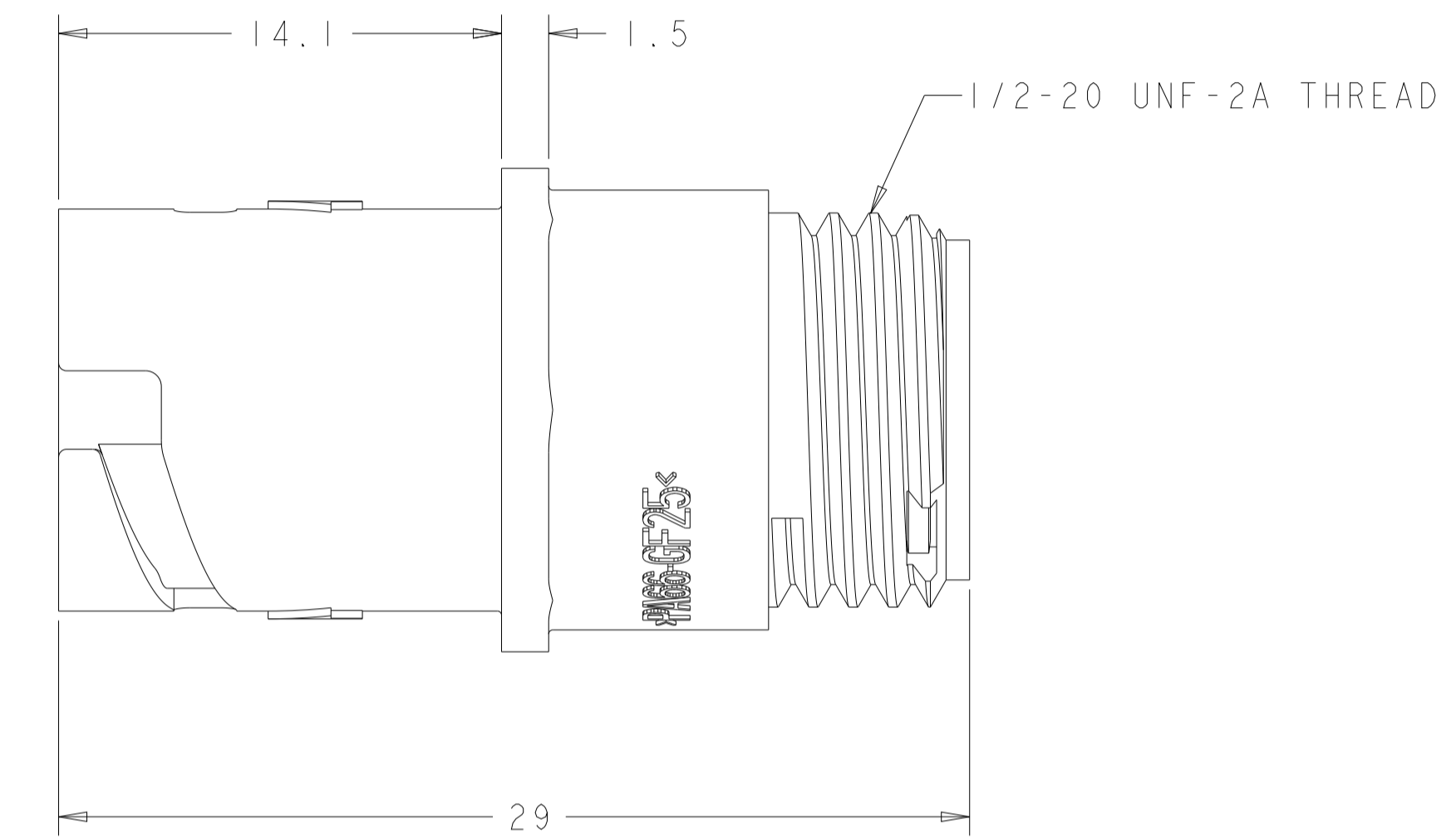
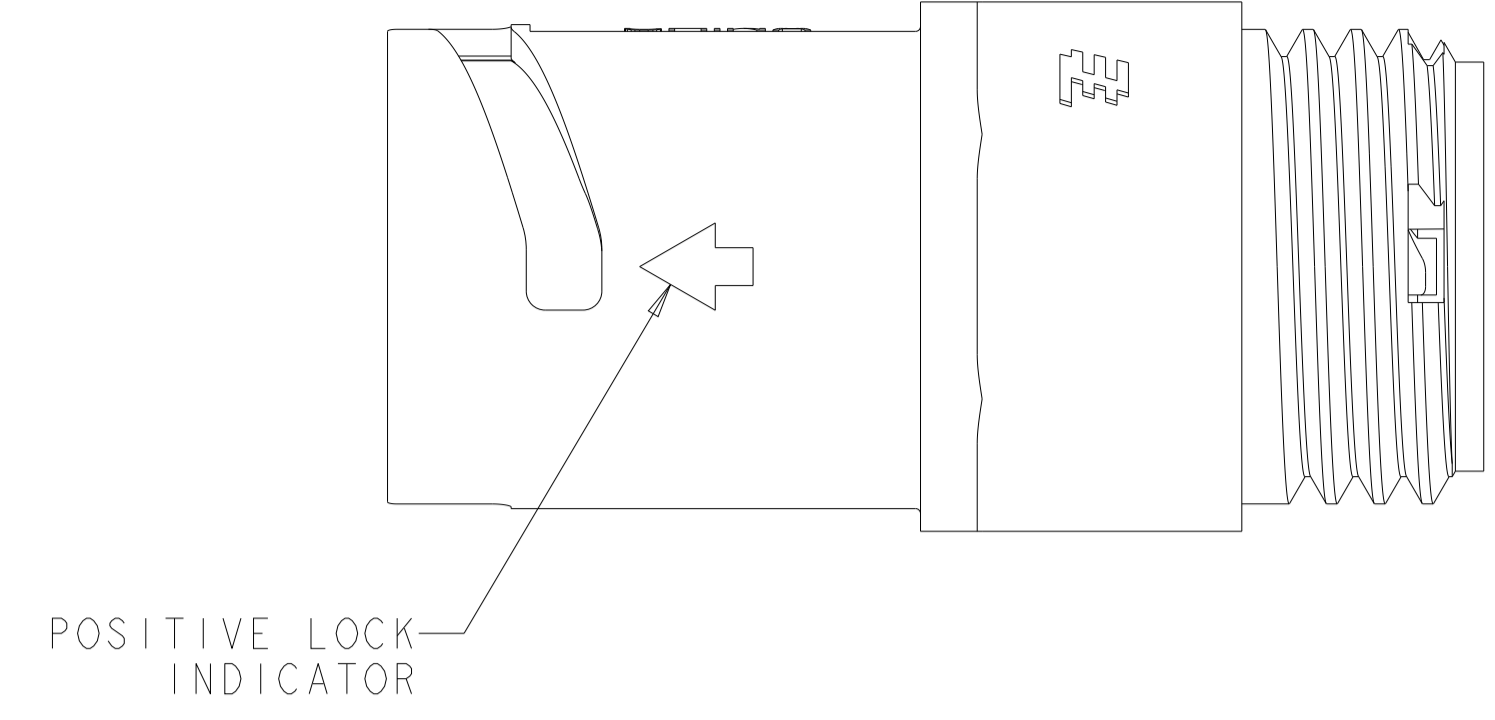
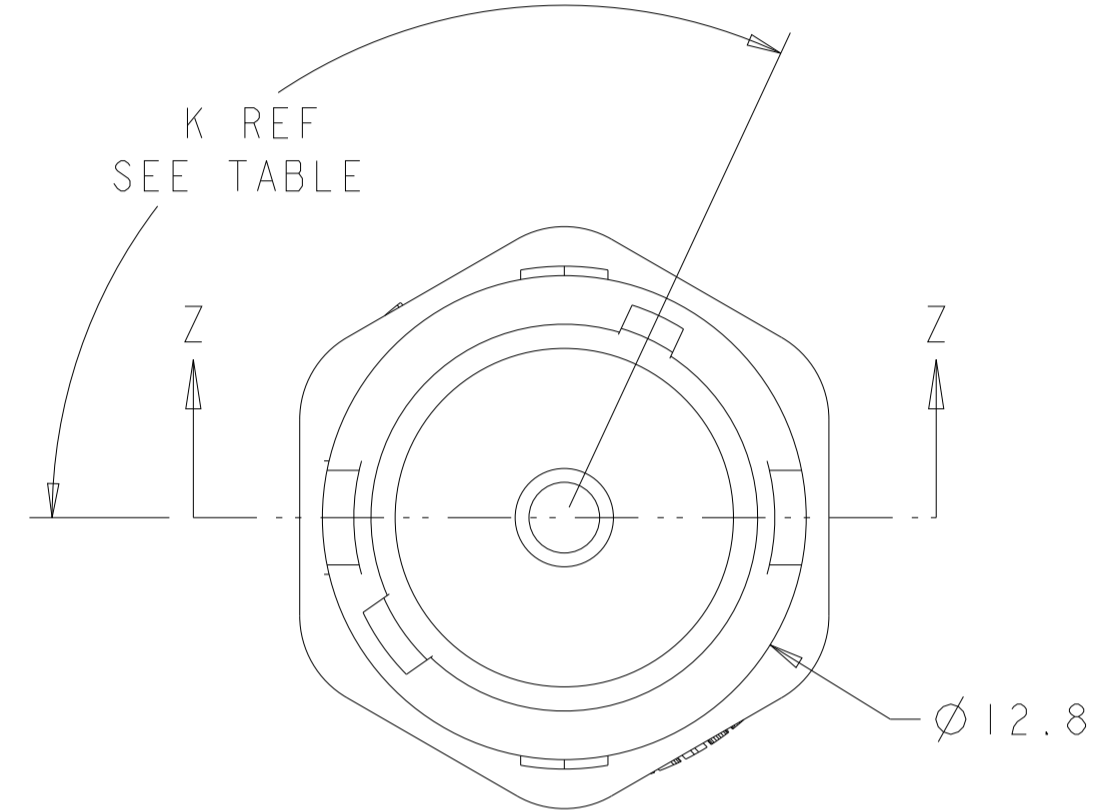
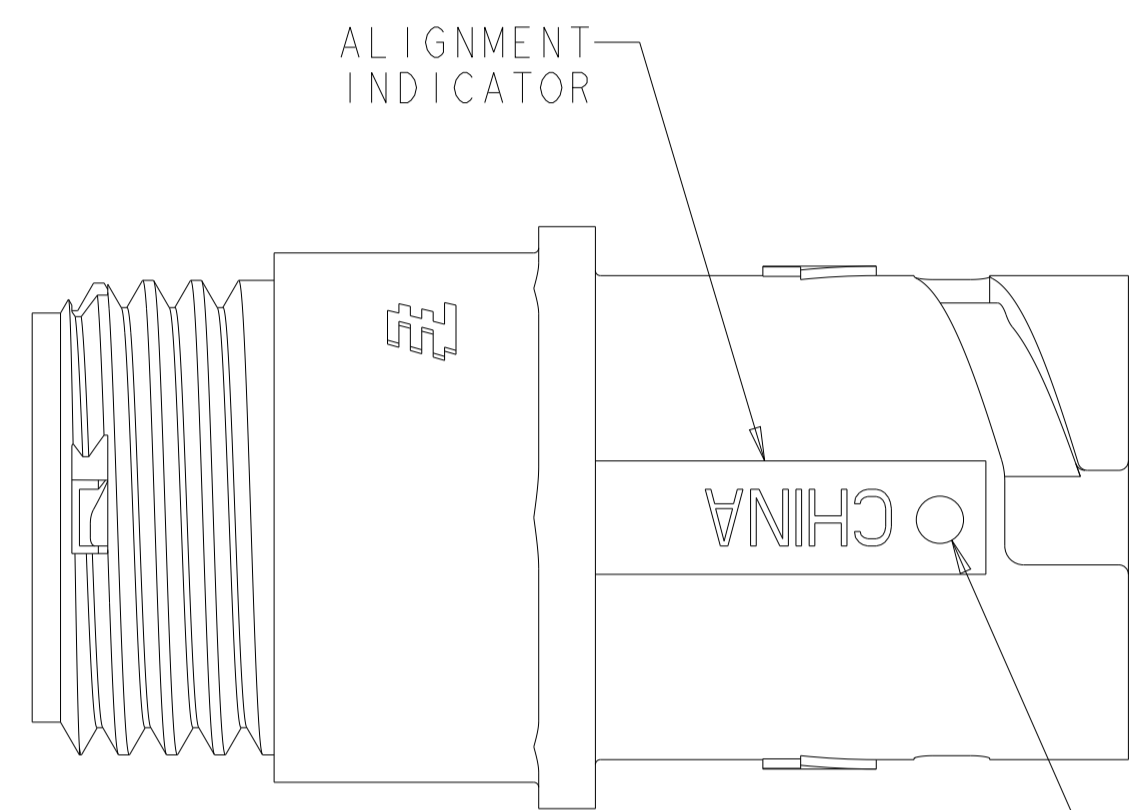
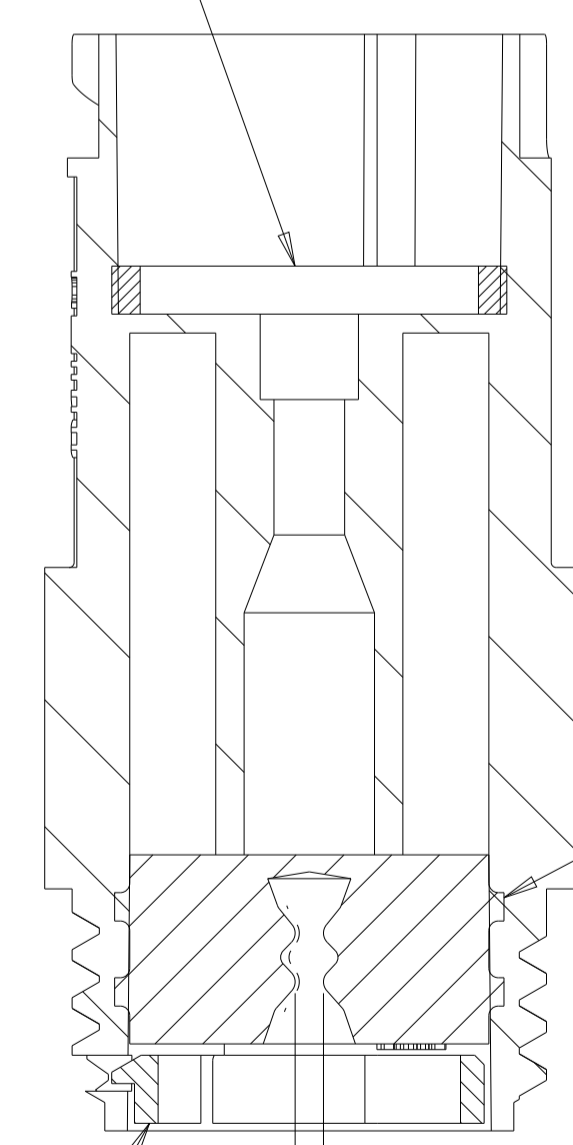


REVISIONS				
P	LTN	DESCRIPTION	DATE	OWN APVD
	D	REVISED PER ECN-22-136865	01FEB2022	RK MZ



SEAL, PERIPHERAL, 1 REQD.
 MATERIAL: ELASTOMER, COLOR-BLACK



HOUSING, 1 REQD.
 MATERIAL: THERMOPLASTIC, COLOR-BLACK

SEAL, WIRE ENTRY, 1 REQD.
 MATERIAL: ELASTOMER, COLOR-SEE TABLE

RETAINER, SEAL, 1 REQD.
 MATERIAL: THERMOPLASTIC, COLOR-BLACK

Ø X REF
 SEE TABLE

SECTION Z-Z

OBSOLETE	YELLOW	Ø 0.75	130°	1445526-04
	NATURAL	Ø 1.5	115°	1445526-03
OBSOLETE	NATURAL	Ø 1.5	130°	1445526-02
	YELLOW	Ø 0.75	115°	1445526-01
	SEAL, WIRE ENTRY COLOR	Ø X REF	K REF	PART NUMBER

THIS DRAWING IS A CONTROLLED DOCUMENT.		OWN S. WIEST 02MAY2001	TE Connectivity
DIMENSIONS: mm		CHK G. DOUITY 02MAY2001	
TOLERANCES UNLESS OTHERWISE SPECIFIED: 0 PLC ±0.5 2 PLC ±0.13 3 PLC ±0.013 4 PLC ±0.001 ANGLES ±0.001		APVD H. WAKEEM 12JUN2003	NAME ASSEMBLY, RECEPTACLE, SIZE 8, 1 POSITION, FREE HANGING, SEALED, MINI CPC
MATERIAL SEE CALLOUT		WEIGHT -	SIZE A100779 C=1445526
FINISH SEE CALLOUT		CUSTOMER DRAWING	RESTRICTED TO -
		SCALE 5:1	SHEET 1 OF 1 REV D