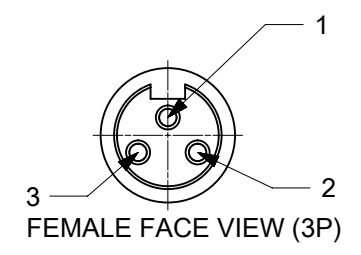
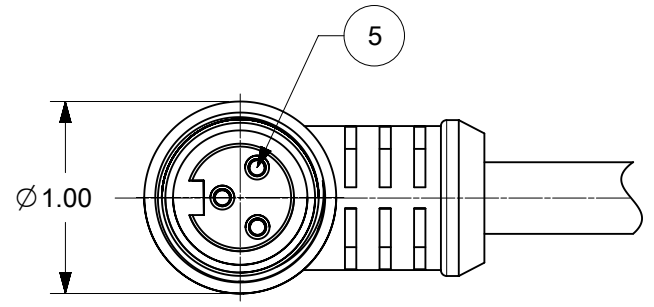
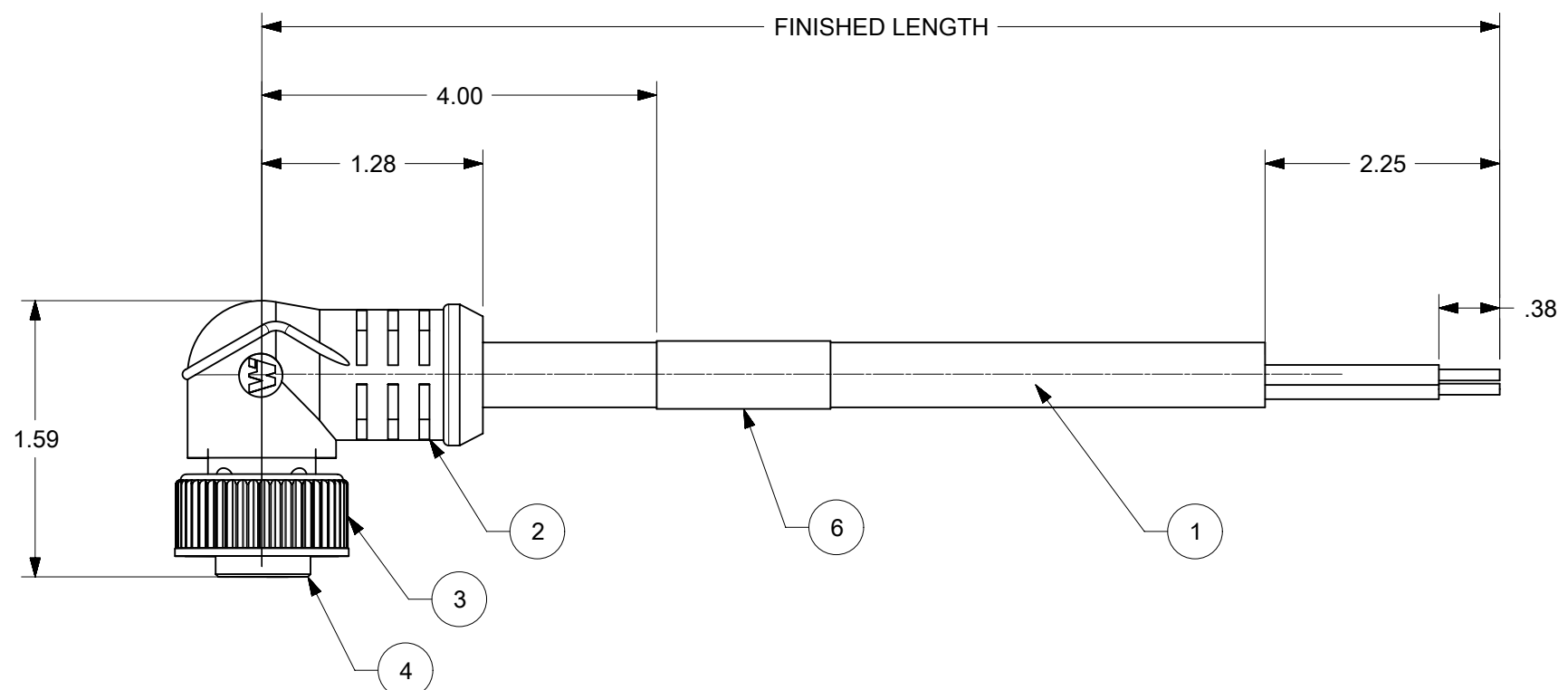


MATERIAL NO.	ENGINEERING NO.	FINISHED LENGTH
1300062601	1300062601-F120	12 FT



- 1. GREEN
- 2. BLACK
- 3. WHITE

PART NUMBER MATRIX

1300062601-F120

LENGTH
 F002 = .2 FEET
 F020 = 2.0 FEET
 F200 = 20 FEET

- NOTES:
1. MATERIAL: AS NOTED
 2. FINISH: AS NOTED
 3. ELECTRICAL:
600 VOLTS, 13 AMPS
 4. TEMP RATING: -20°TO +105°C
 5. PROTECTION: IP67 (WHEN MATED)
 6. COUPLING THREAD: 7/8"-16 UN
 7. ALL DIMS ARE FOR REFERENCE UNLESS TOLERANCED OR NOTED OTHERWISE

6	WRAP LABEL	VINYL	BLACK/YELLOW
5	FEMALE SOCKET CONTACT	COPPER ALLOY	GOLD PLATED
4	INSERT	TPE	BLACK
3	COUPLING NUT	ZINC DIE CAST	BLACK
2	OVERMOLD	TPE	BLACK
1	CABLE, 16AWG TYPE STOOW	PVC JACKET	BLACK
ITEM	DESCRIPTION	MATERIAL	FINISH

THIS DRAWING CONTAINS INFORMATION THAT IS PROPRIETARY TO MOLEX ELECTRONIC TECHNOLOGIES, LLC AND SHOULD NOT BE USED WITHOUT WRITTEN PERMISSION									
SYMBOLS	DIMENSION UNITS	SCALE	CURRENT REV DESC: INITIAL RELEASE						
	INCH	1:1	molex MC 3P FP 90D #16/3 MNI CHANGE 3P 90D FEMALE PRODUCT CUSTOMER DRAWING						
▽ = 0	GENERAL TOLERANCES (UNLESS SPECIFIED)								
▽ = 0	ANGULAR TOL ± °		INITIAL REVISION:		DOCUMENT NUMBER		DOC TYPE	DOC PART	REVISION
▽ = 0	4 PLACES ±		DRWN: CCHRSTKA		2020/04/01	1300062601	PSD	000	A
▽ = 0	3 PLACES ±		CHK'D: MZIELINSKI		2020/04/03	SEE TABLE	CUSTOMER	SHEET NUMBER	1 OF 1
▽ = 0	2 PLACES ±		APPR: BWOODMAN		2020/04/06				
▽ = 0	1 PLACE ±		DRAFT WHERE APPLICABLE MUST REMAIN WITHIN DIMENSIONS		THIRD ANGLE PROJECTION	DRAWING	SERIES	MATERIAL NUMBER	CUSTOMER
▽ = 0	0 PLACES ±		DRAFT WHERE APPLICABLE MUST REMAIN WITHIN DIMENSIONS			B-SIZE	130006	SEE TABLE	