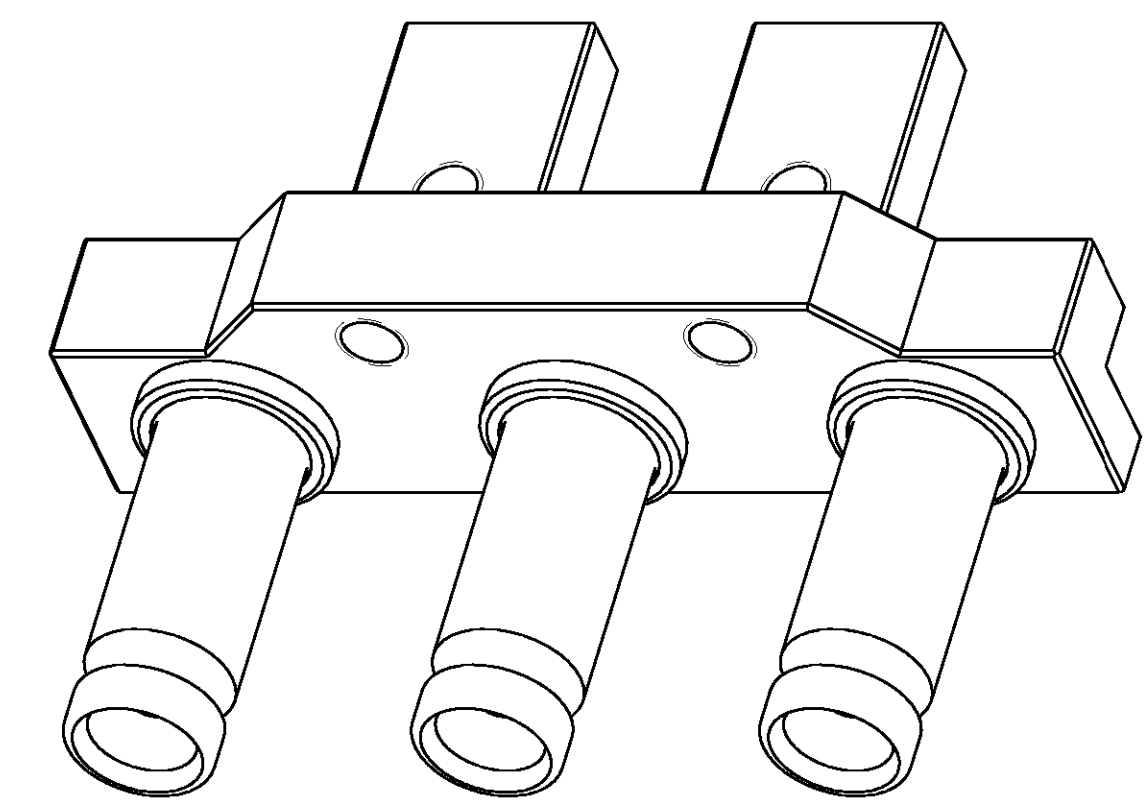
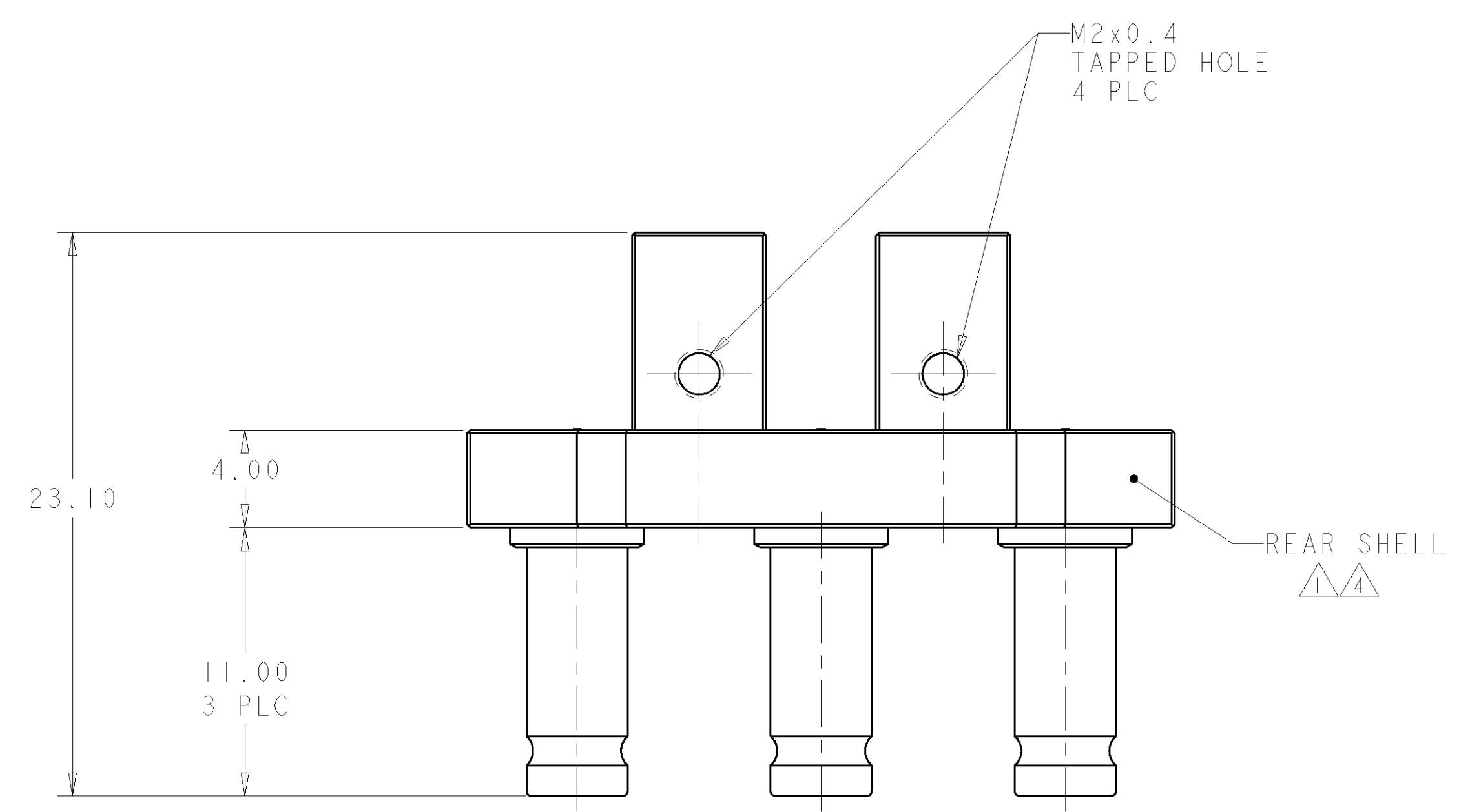
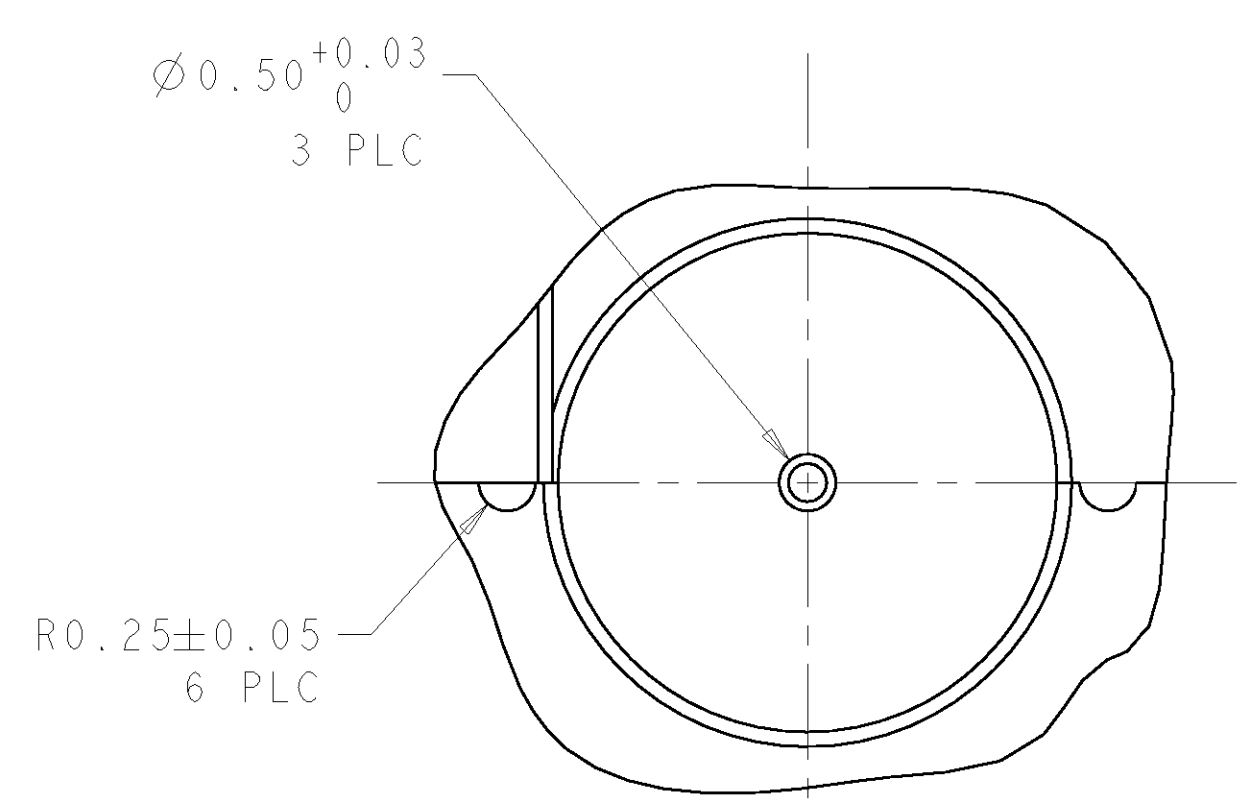
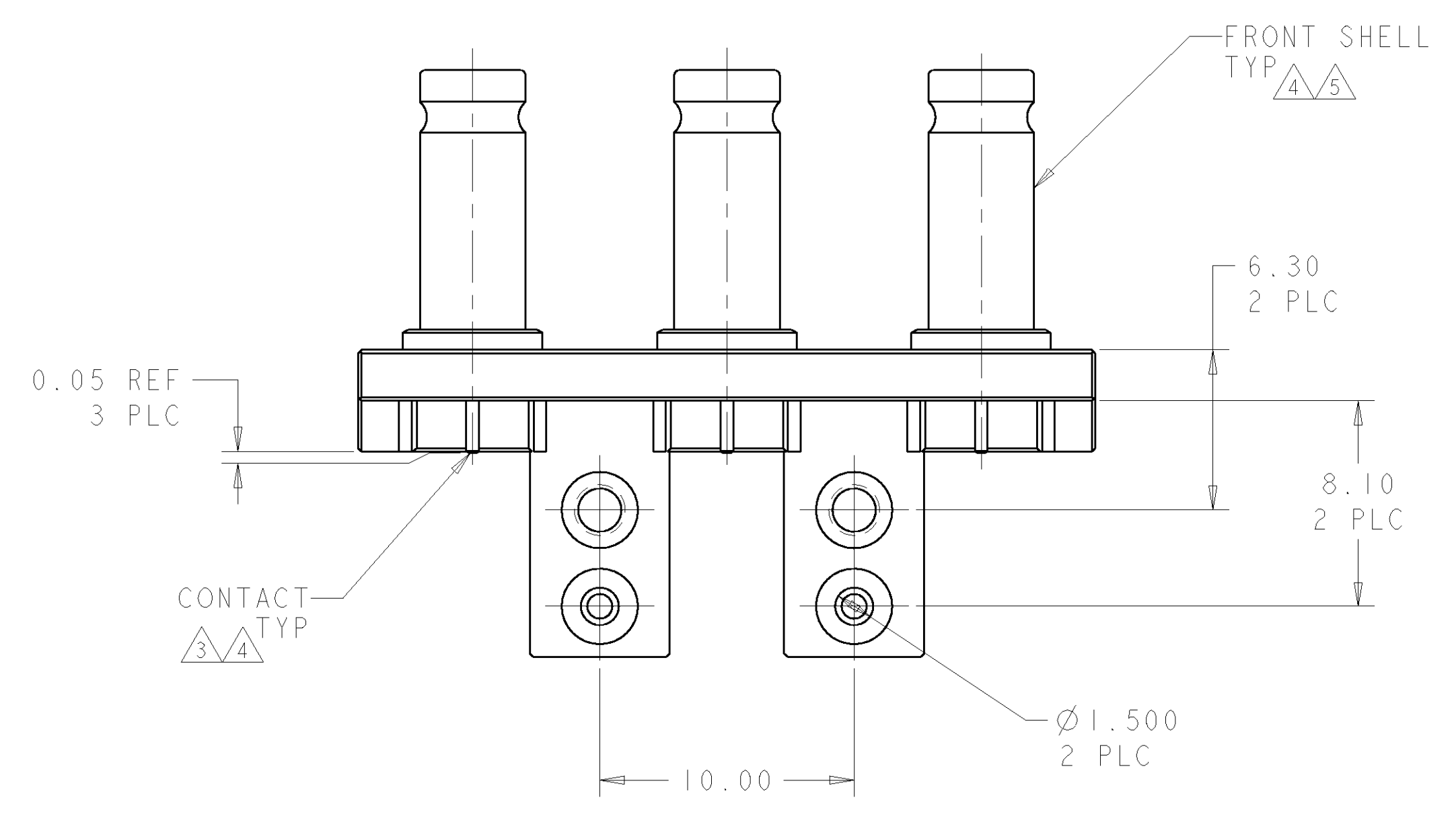
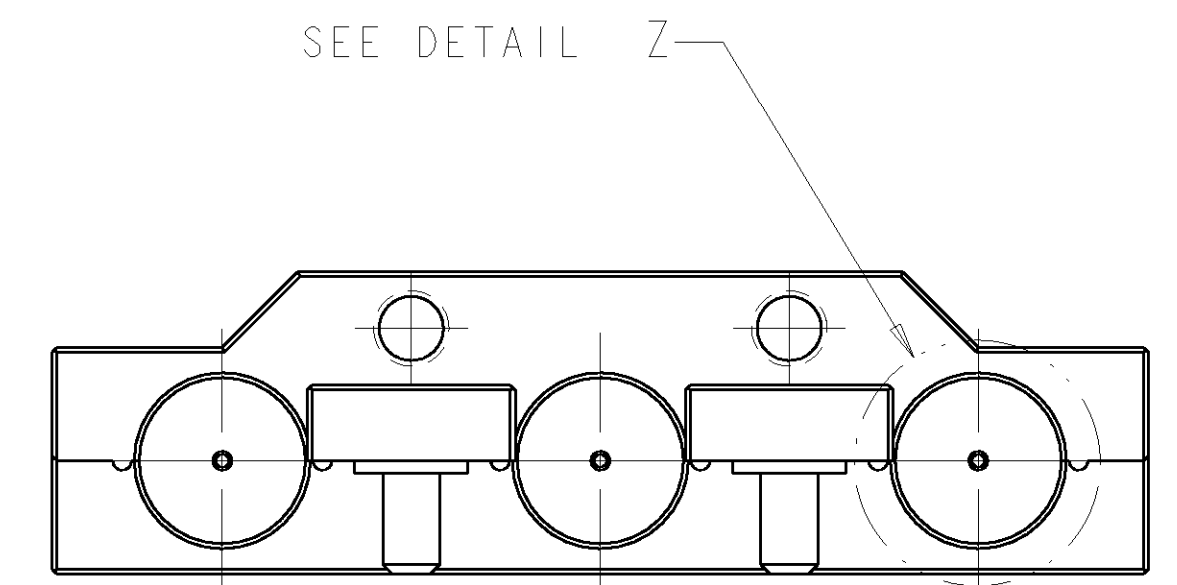
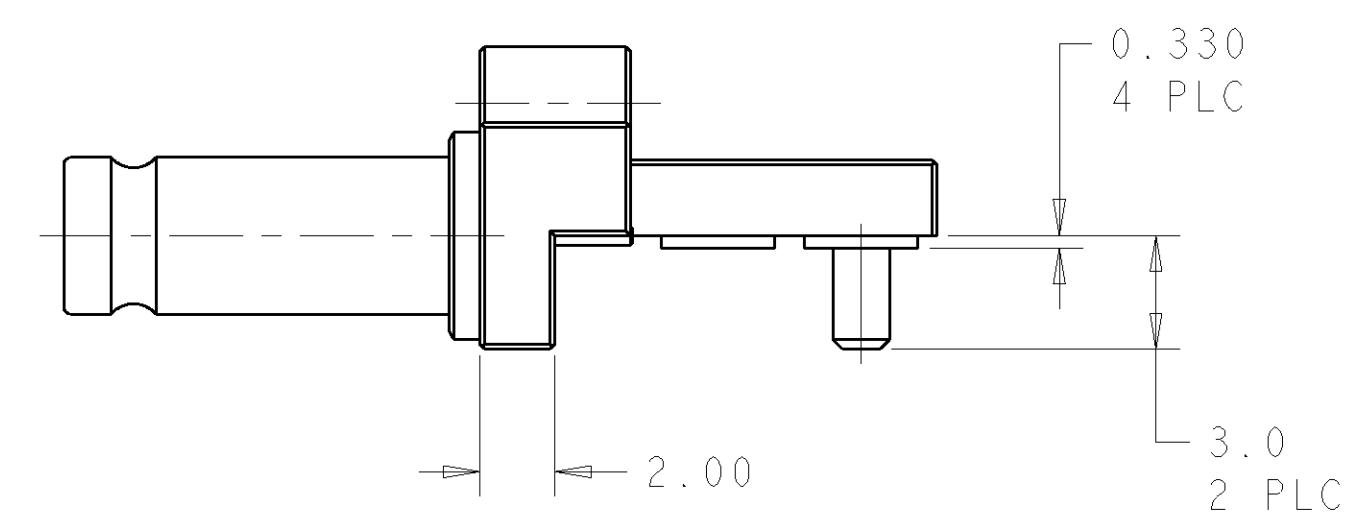
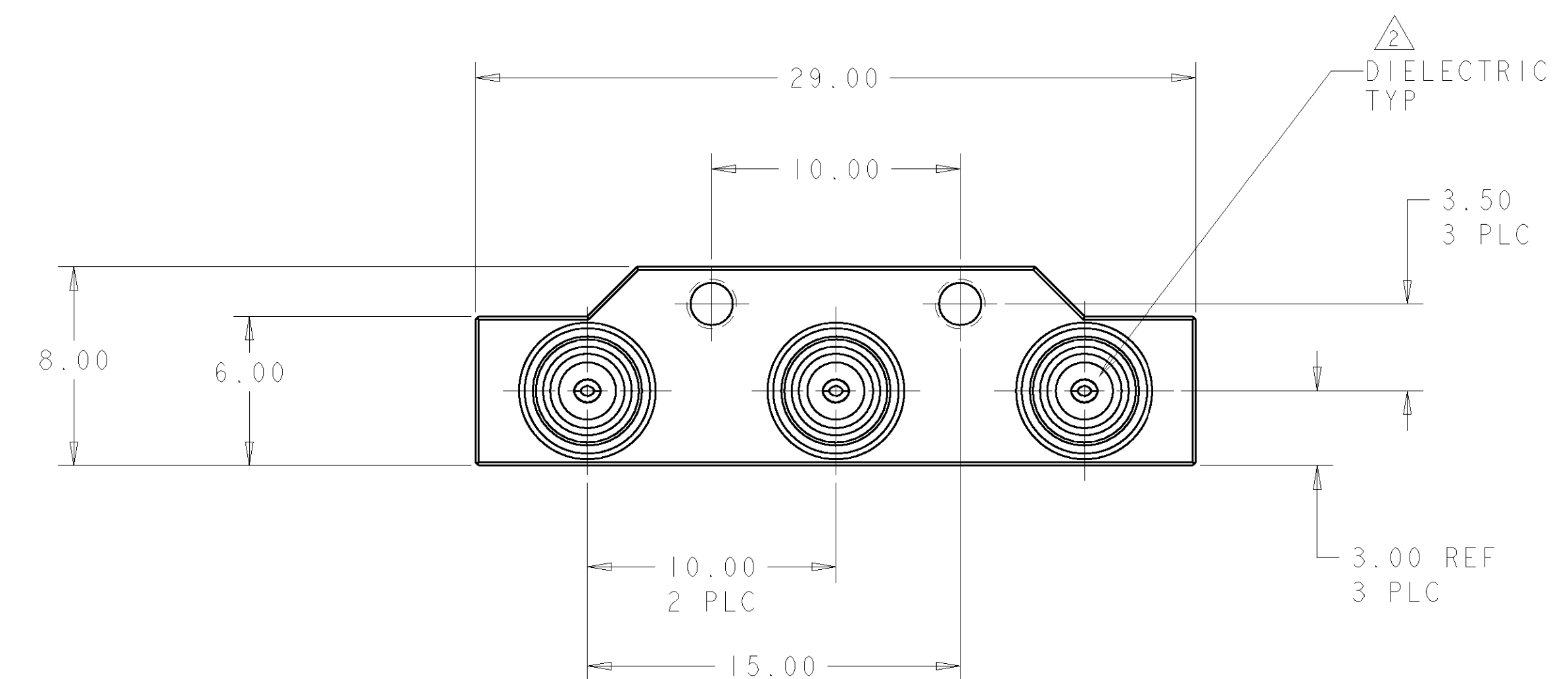


LOC	DIST	REVISIONS			
P	LTR	DESCRIPTION	DATE	DWN	APVD
AJ	16	A	RELEASED PER ECO-06-015764	13JUL2006	KS KW



- △ ZINC PER ASTM B 86
- △ PTFE PER ASTM D 1710
- △ BERYLLIUM COPPER PER ASTM B 196
- △ GOLD PLATE PER ASTM B 488
- △ BRASS PER ASTM B 16
- 6. CONNECTOR INTERFACE PER CECC 22 230
- 7. CONNECTOR DESIGNED FOR 0.15 NOMINAL SOLDER PASTE THICKNESS
- 8. CONNECTOR DESIGNED FOR 2.03 NOMINAL PANEL THICKNESS
- 9. CONNECTOR DESIGNED FOR PCB AND PANEL ATTACHMENT WITH M2x0.4 PAN HEAD SCREW. HEAD 4.0 DIA MAX
- 10. PRODUCT HAS NOT COMPLETED VALIDATION TESTING

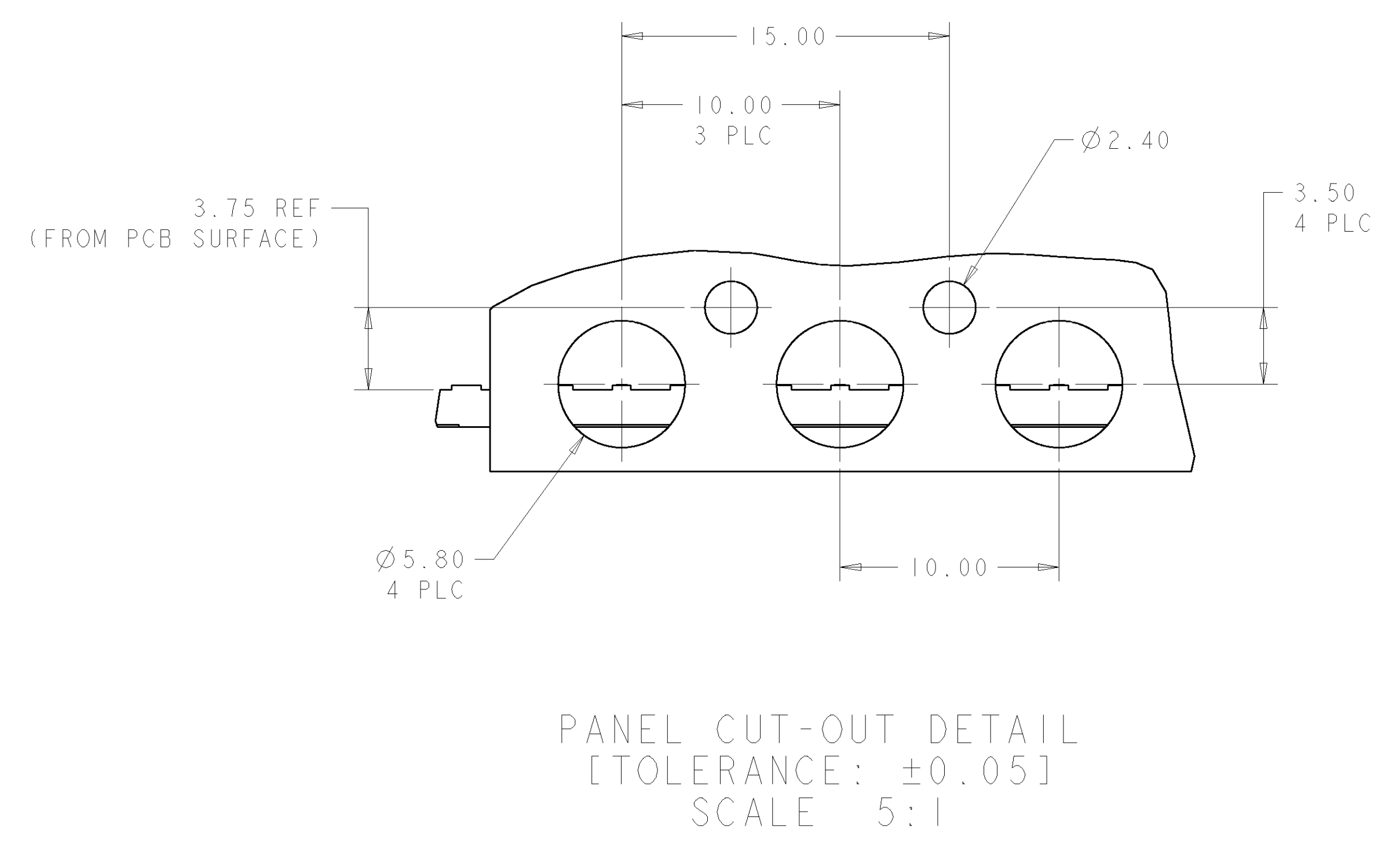
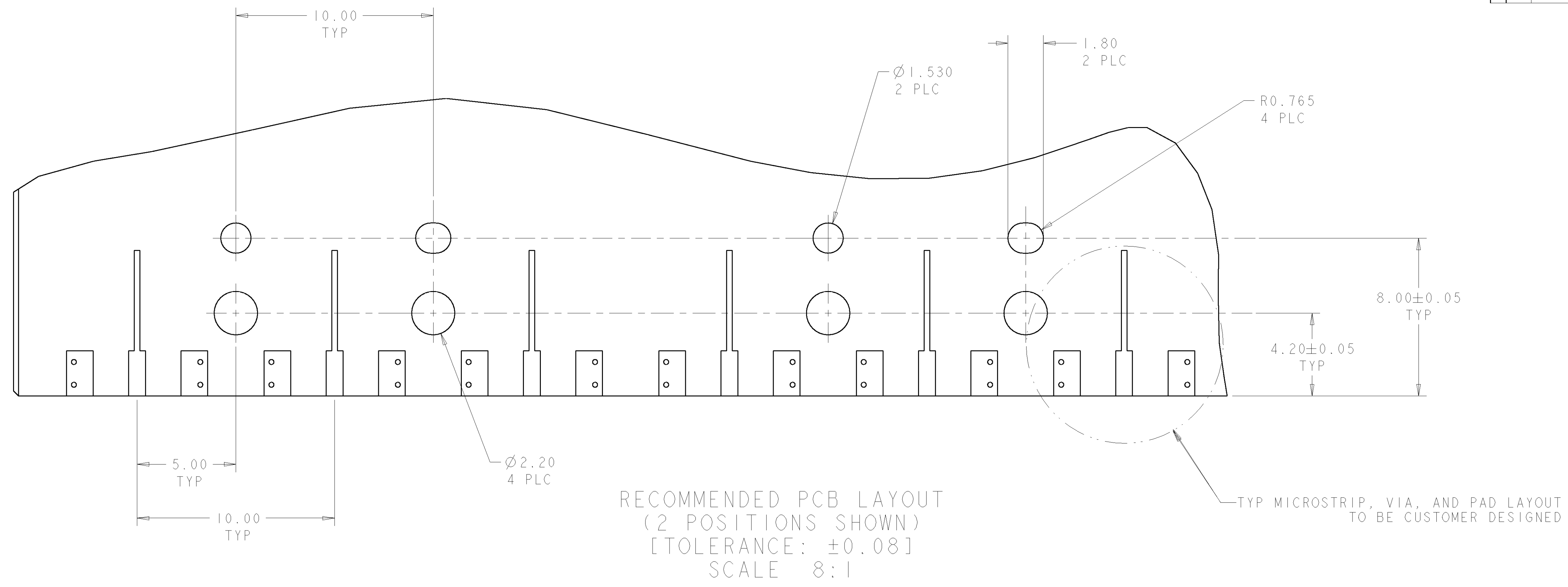


DETAIL Z
SCALE 15:1

1274714-2
PART NUMBER

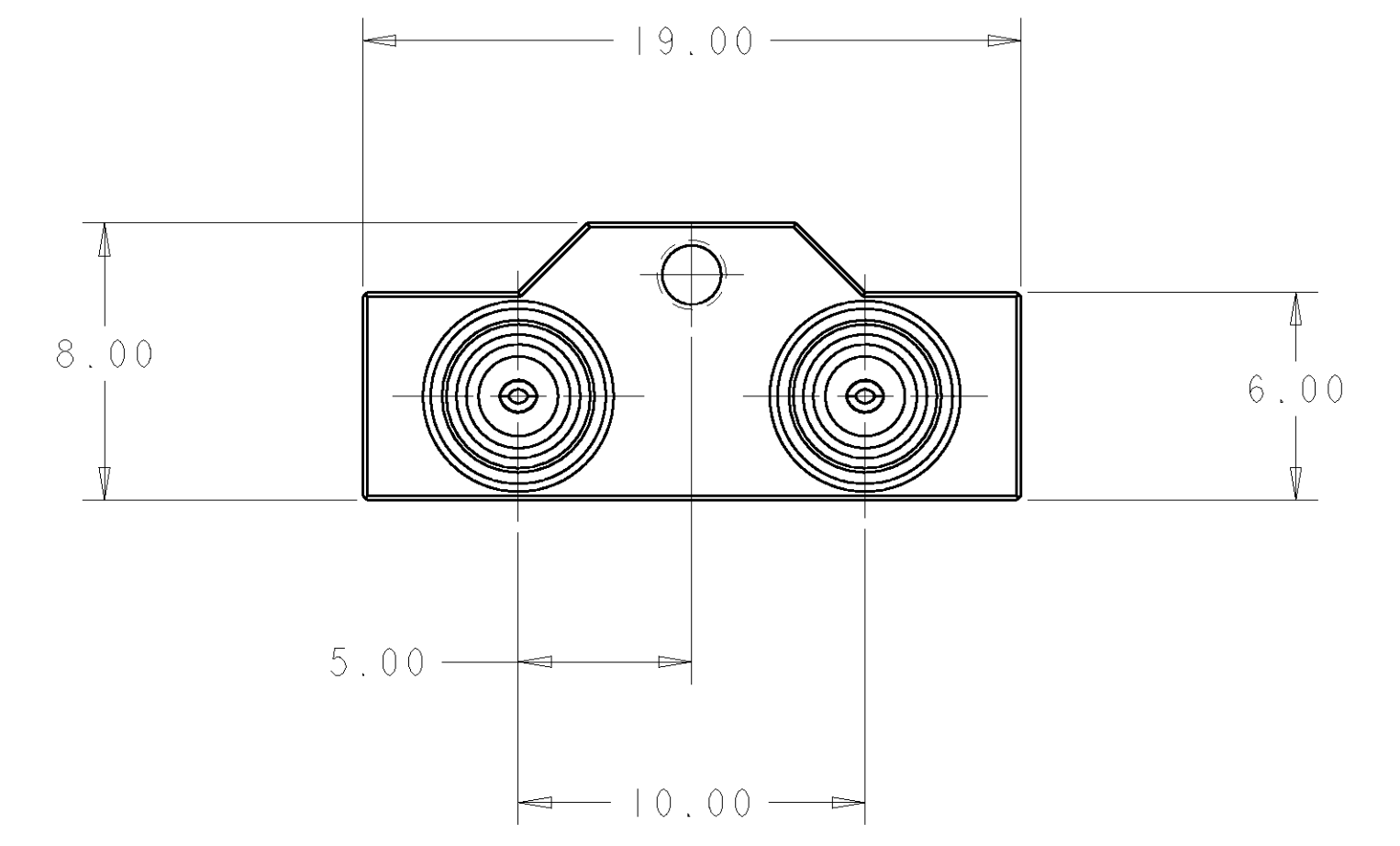
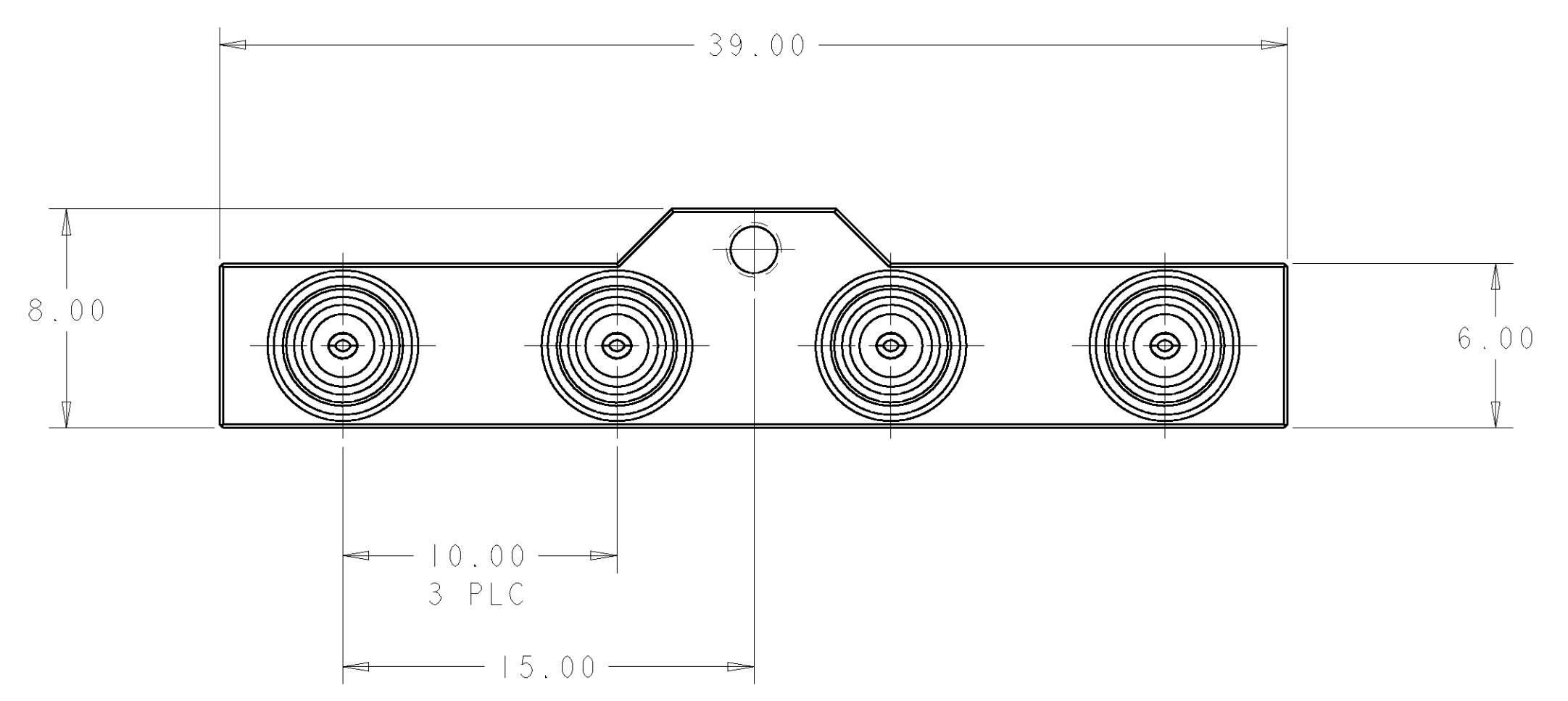
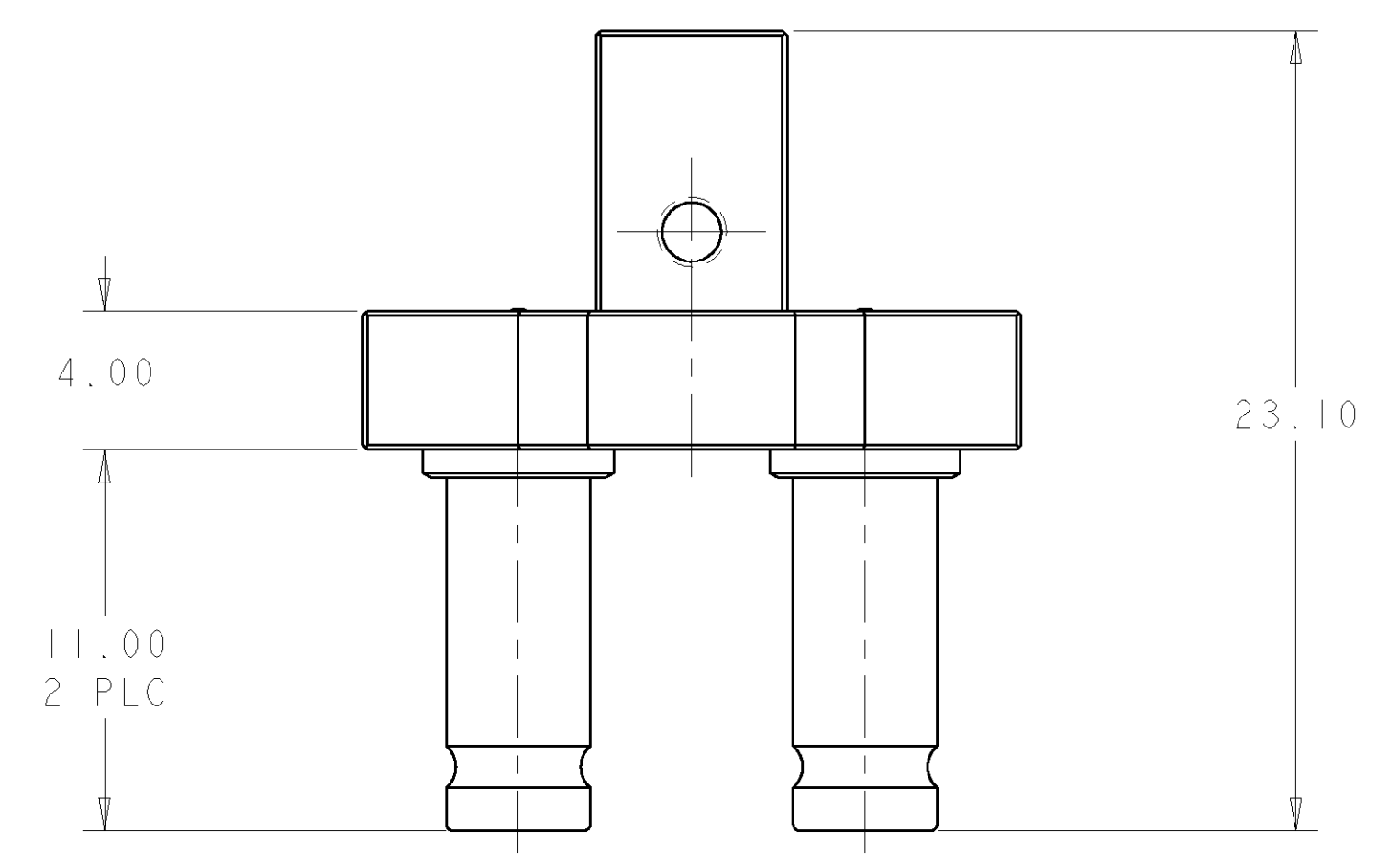
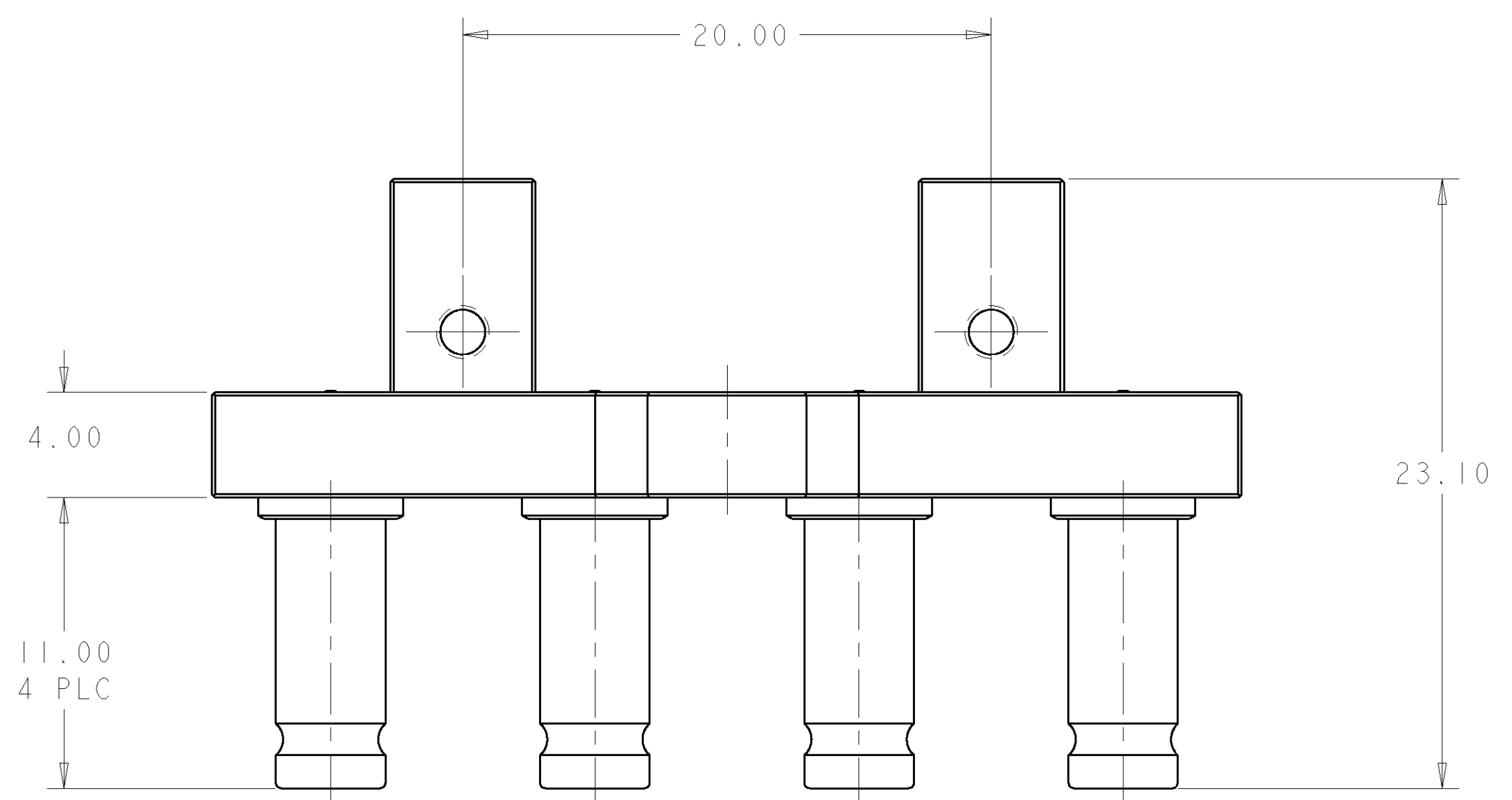
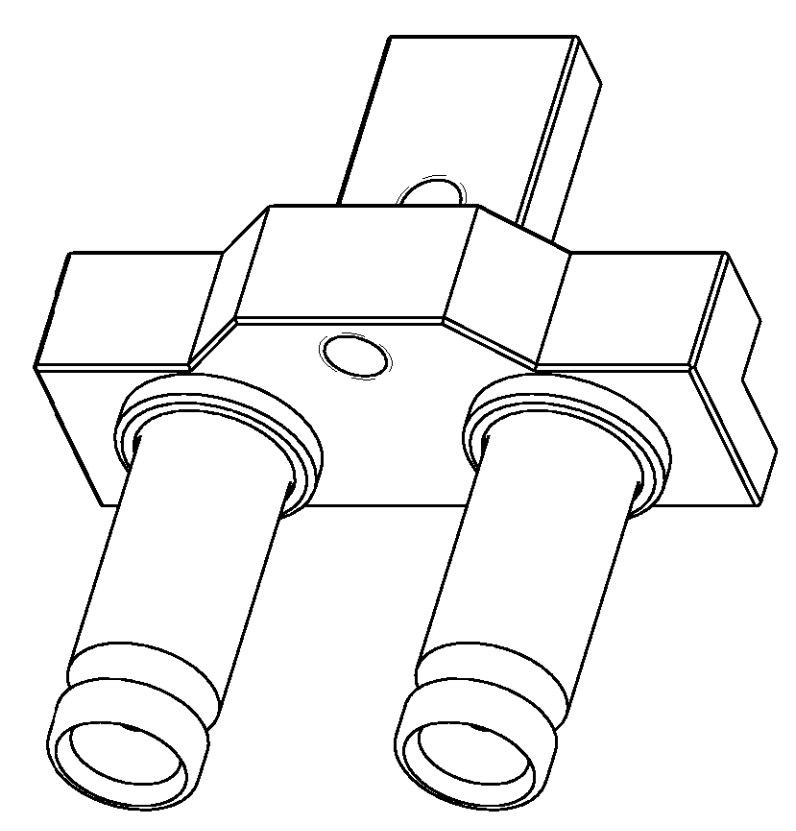
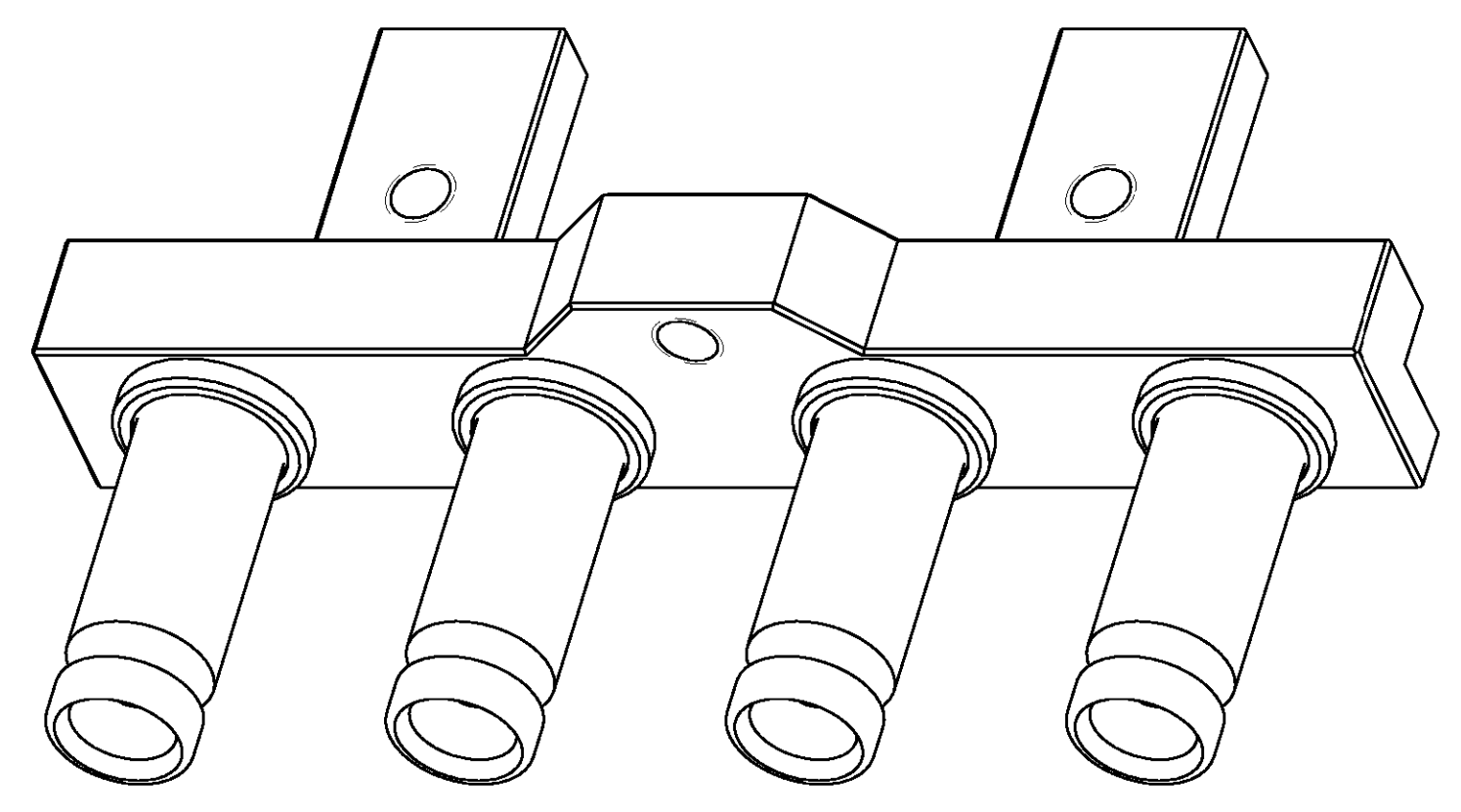
DIMENSIONS: mm 		TOLERANCES UNLESS OTHERWISE SPECIFIED: 0 PLC ± 1 PLC ±0.26 2 PLC ±0.13 3 PLC ±0.013 4 PLC ± ANGLES ± FINISH ±		DWN DK_SCHRUM 11JAN2006 CHK K.WEIDNER 11JAN2006 APVD K.WEIDNER 11JAN2006		tyco Tyco Electronics Harrisburg, PA 17105-3608 Electronics	
MATERIAL - FINISH -		WEIGHT - CUSTOMER DRAWING		NAME ASSEMBLY, JACK, 3 POSITION, DIN 1.0/2.3, 75 Ohm		SIZE CAGE CODE DRAWING NO RESTRICTED TO A 100779 C=1274714 -	
				SCALE 5:1 SHEET 1 OF 3 REV A			

LOC	DIST	REVISIONS			
P	LTR	DESCRIPTION	DATE	DRN	APVD
-	-	SEE SHEET 1	-	-	-



<small>THIS DRAWING IS UNPUBLISHED. RELEASED FOR PUBLICATION BY TYCO ELECTRONICS CORPORATION. ALL RIGHTS RESERVED.</small>		DRN: DK_SCHURM 11JAN2006 CHK: K.WEIDNER 11JAN2006 APVD: K.WEIDNER 11JAN2006	tyco Electronics Tyco Electronics Harrisburg, PA 17105-3608
DIMENSIONS: mm 	TOLERANCES UNLESS OTHERWISE SPECIFIED: 0 PL ± 1 PL ±0.26 2 PL ±0.13 3 PL ±0.013 4 PL ± ANGLES ± FINISH ±	NAME: ASSEMBLY, JACK, 3 POSITION, DIN 1.0/2.3, 75 Ohm PRODUCT SPEC: 108-71032 APPLICATION SPEC:	SIZE: A 00779C=1274714 SCALE: 4:1 SHEET: 2 OF 3 REV: A
MATERIAL: -	FINISH: -	WEIGHT: -	CUSTOMER DRAWING

LOC	DIST	REVISIONS			
P	LTR	DESCRIPTION	DATE	DNW	APVD
AJ	16	SEE SHEET 1	-	-	-



1274714-1
(PRELIMINARY)

1274714-3
(PRELIMINARY)

PARTS ON THIS SHEET ARE
PRELIMINARY
 NOT RELEASED FOR PRODUCTION

<small>THIS DRAWING IS UNPUBLISHED. RELEASED FOR PUBLICATION BY TYCO ELECTRONICS CORPORATION. ALL RIGHTS RESERVED.</small>		DWN: DK SCHRUM 11JAN2006 ENR: K WEIDNER 11JAN2006 APVD: K WEIDNER 11JAN2006	tyco Electronics Tyco Electronics Harrisburg, PA 17105-3608
DIMENSIONS: mm 	TOLERANCES UNLESS OTHERWISE SPECIFIED: 0 PLC ± 1 PLC ±0.26 2 PLC ±0.13 3 PLC ±0.13 4 PLC ± ANGLES ± FINISH ±	NAME: ASSEMBLY, JACK, 3 POSITION, DIN 1.0/2.3, 75 Ohm PRODUCT SPEC: 108-71032 APPLICATION SPEC:	SIZE: CAGE CODE DRAWING NO. RESTRICTED TO: A 00779 C=1274714 -
MATERIAL: -	FINISH: -	WEIGHT: -	CUSTOMER DRAWING
SCALE: 5:1		SHEET: 3 OF 3	REV: A