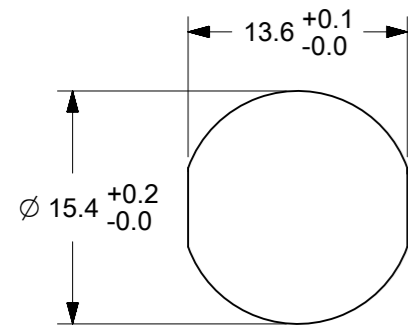


FRONT SIDE WITHOUT LOCKNUT PRESENTED



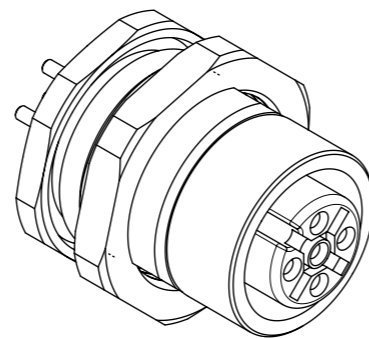
PANEL CUT OUT
MAX. PANEL THICKNESS 4.5 mm

ENG.-NO.: 8R5J40000 /
0912-056GF-05000

| ITEM | QTY | DESCRIPTION | MATERIAL | FINISH |
|------|-----|-----------------|----------|------------|
| 7 | - | POTTING | RESIN | - |
| 6 | 1 | GASKET 7.1x1.35 | FPM, RD | - |
| 5 | 5 | CONTACT FE | BRASS | AU OVER NI |
| 4 | 1 | INSERT | PUR, BK | - |
| 3 | 1 | GASKET 11x2 | NBR, BK | - |
| 2 | 1 | LOCKNUT | BRASS | Ni |
| 1 | 1 | SHELL | BRASS | Ni |

NOTES:

AMPERAGE RATING: 4,0A
VOLTAGE RATING: 60V
OPERATING TEMPERATURE: -25°C TO +85°C
PROTECTION: IP68



SCALE 2:1

THIS DRAWING CONTAINS INFORMATION THAT IS PROPRIETARY TO MOLEX INCORPORATED AND SHOULD NOT BE USED WITHOUT WRITTEN PERMISSION

| | | | | | | | | | | | |
|--|------------|------------|------------------------|---|---|-----------------|----------|---|----------|--|--|
| EC DESCRIPTION EC NO.: 100381 DRWN: RSCHIEBER CHK'D: RSILLER APPR: RSILLER | 2015/04/20 | 2015/05/04 | 2015/05/04 | QUALITY SYMBOLS ▽ = 0 ▽ = 0 ▽ = 0 ▼ = 0 ▽ = 0 ☒ = 0 ■ = 0 ▽ = 0 | GENERAL TOLERANCES (UNLESS SPECIFIED) ANGULAR TOL ± 1.0 ° 4 PLACES ± 3 PLACES ± 2 PLACES ± 0.05 1 PLACE ± 0.3 0 PLACES ± 0.5 DRAFT WHERE APPLICABLE MUST REMAIN WITHIN DIMENSIONS | DIMENSION UNITS | SCALE | <div style="text-align: center; font-size: 2em; font-weight: bold;">molex</div> <p>REC M12 5P AC FE STR UNSH BM PG9</p> <p>PRODUCT CUSTOMER DRAWING</p> | | | |
| | mm | 5:1 | | | | | | | | | |
| | DRWN BY | DATE | RSCHIEBER | | | 2015/03/10 | SERIES | MATERIAL NUMBER | CUSTOMER | | |
| | CHK'D BY | DATE | RSILLER | | | 2015/05/04 | 120070 | 1200705172 | | | |
| APPR BY | DATE | RSILLER | 2015/05/04 | DOCUMENT NUMBER | | DOC TYPE | DOC PART | SHEET NUMBER | | | |
| A1 | REV | A3 | THIRD ANGLE PROJECTION | 1200705172 | | PSD | 000 | 1 OF 1 | | | |