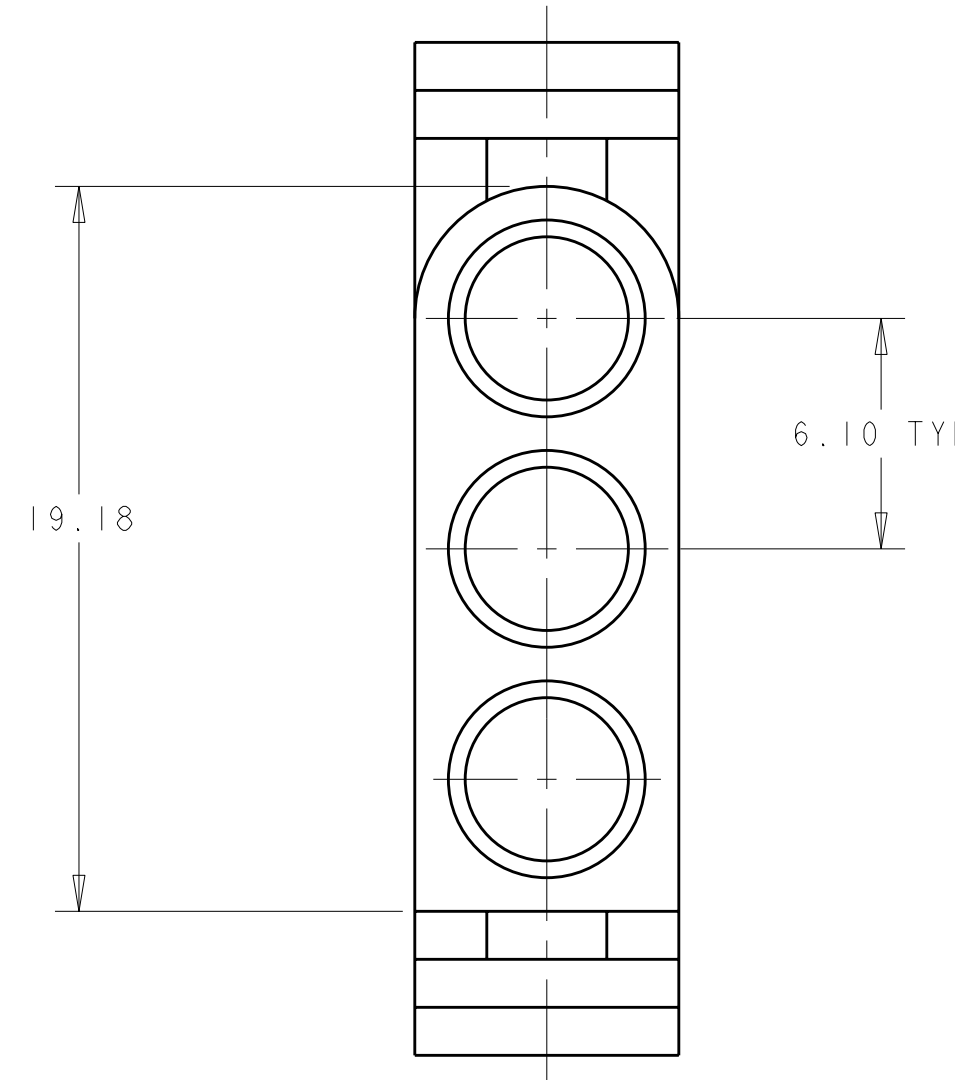
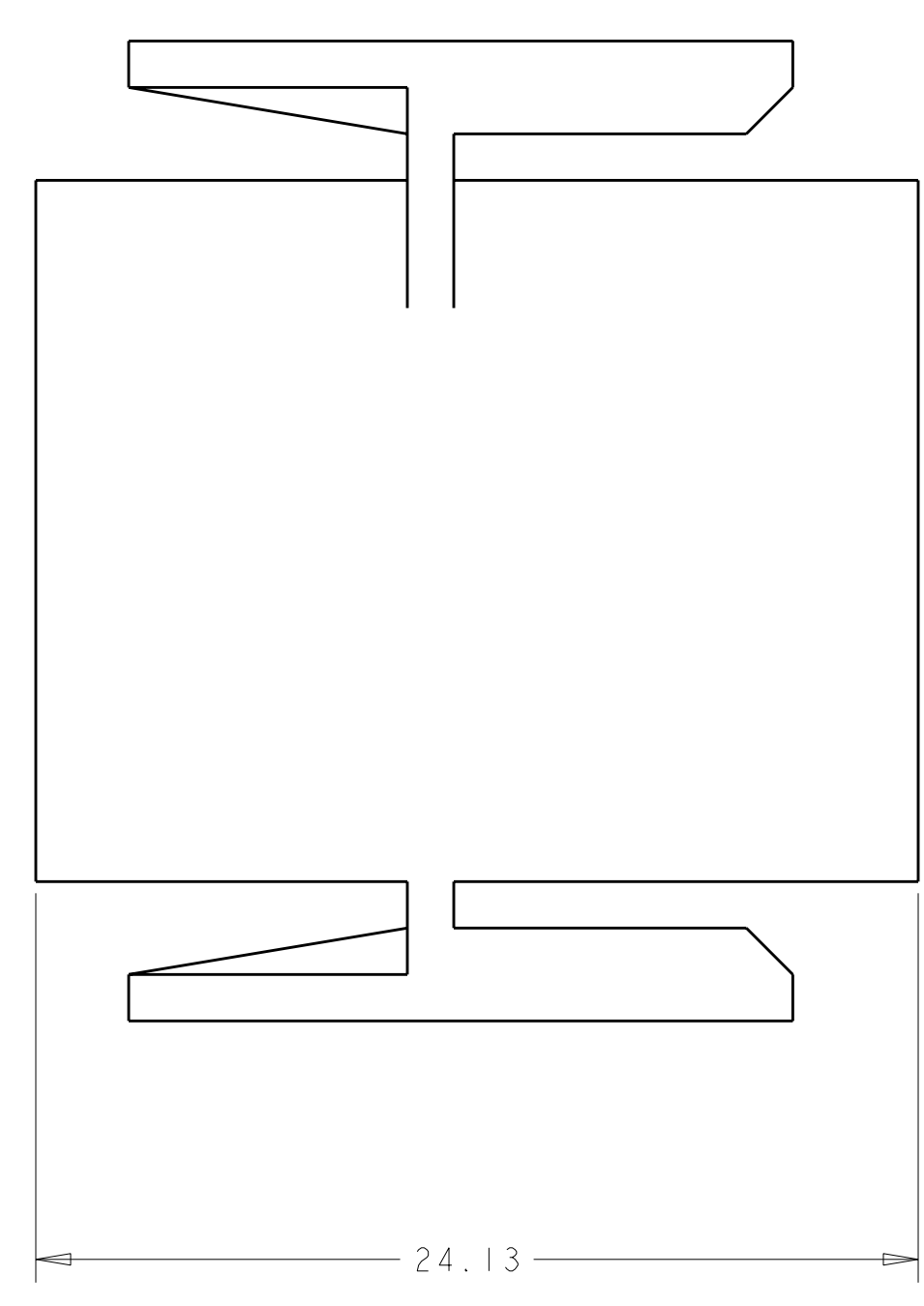
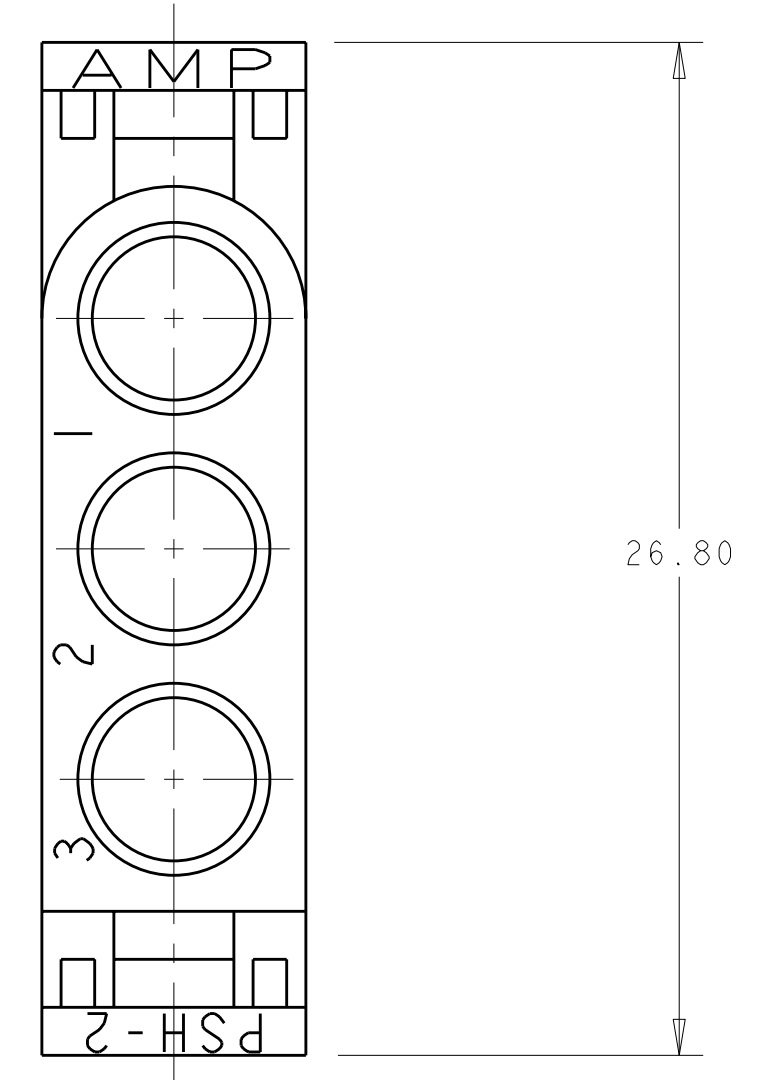
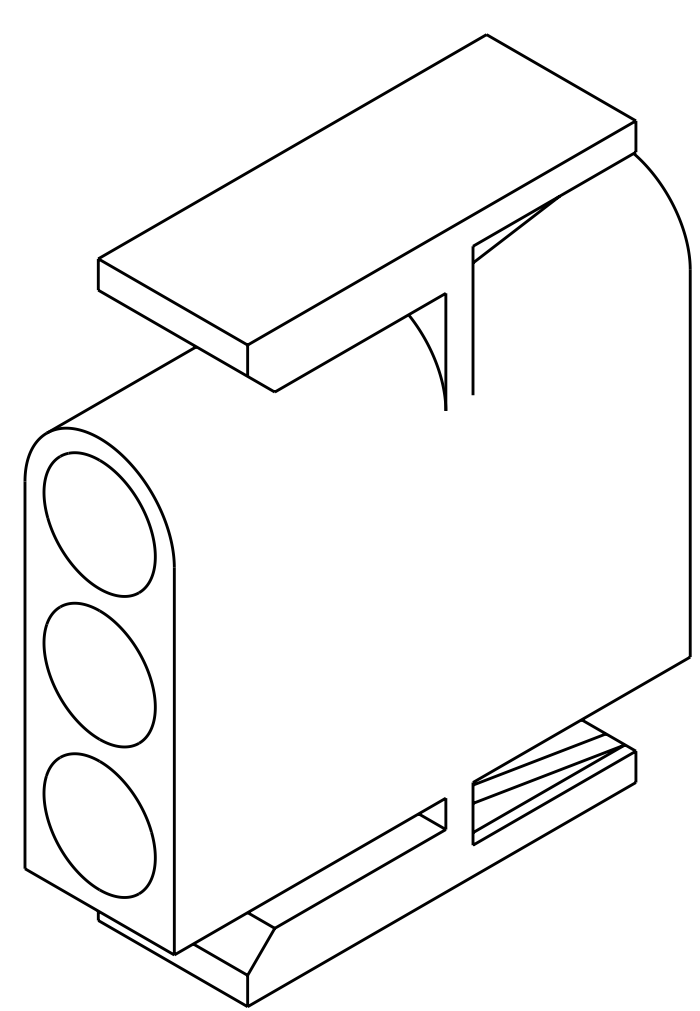


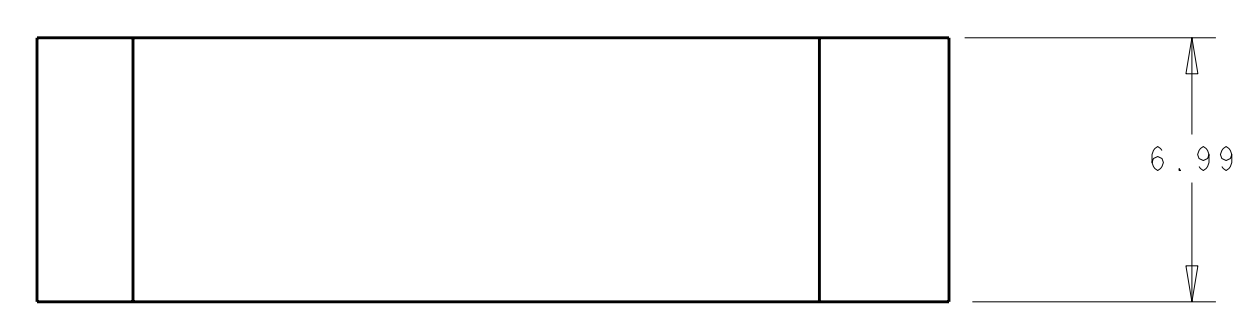
LOC	DIST	REVISIONS					
CM	00	P	LTB	DESCRIPTION	DATE	DWN	APVD
		M1		REVISED PER ECO-11-004917	12APR2011	RK	HMR



1. TO BE USED WITH .140 SERIES SOCKETS.
2. TO BE USED WITH CAP 350347.
3. FOR FOREIGN PRODUCTION ONLY.



3 DIMENSIONAL MODEL
NTS



6.99	.275	-	-
6.10	.240	26.80	1.055
3.56	.140	24.13	.950
0.13	.005	19.18	.755
MM	IN	MM	IN



THIS DRAWING IS A CONTROLLED DOCUMENT.

DIMENSIONS:	TOLERANCES UNLESS OTHERWISE SPECIFIED:	DWN R. WHITAKER 05DEC2002	NAME
mm	0 PLC ± 1 PLC ± 2 PLC ±0.13 3 PLC ± 4 PLC ± ANGLES ±40°30'	CHK D. COLEY 05DEC2002	PLUG, 3 CIRCUIT, .140 MATE-N-LOK
		APVD D. COLEY 05DEC2002	SIZE CAGE CODE DRAWING NO RESTRICTED TO
MATERIAL NYLON UL 94V-0, NATURAL		PRODUCT SPEC	A100779C=350346
FINISH		APPLICATION SPEC	SCALE 5:1 SHEET 1 OF 1 REV. M
CUSTOMER DRAWING		WEIGHT	

COLOR	MATERIAL	PART NUMBER
3. RED	NYLON, UL 94V-2	1-350346-2
NATURAL	NYLON, UL 94V-2	1-350346-0