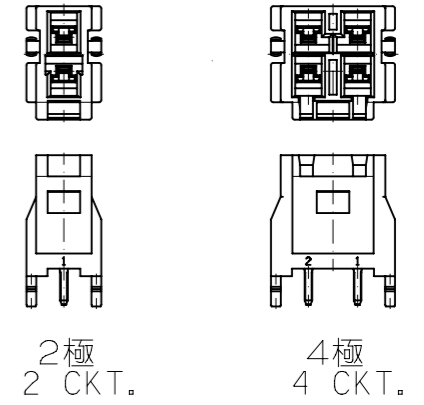
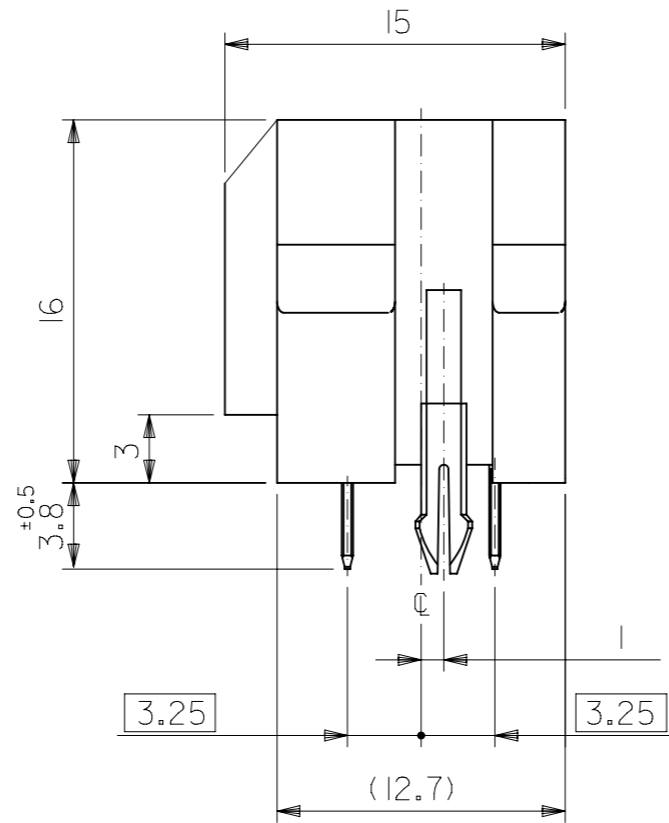
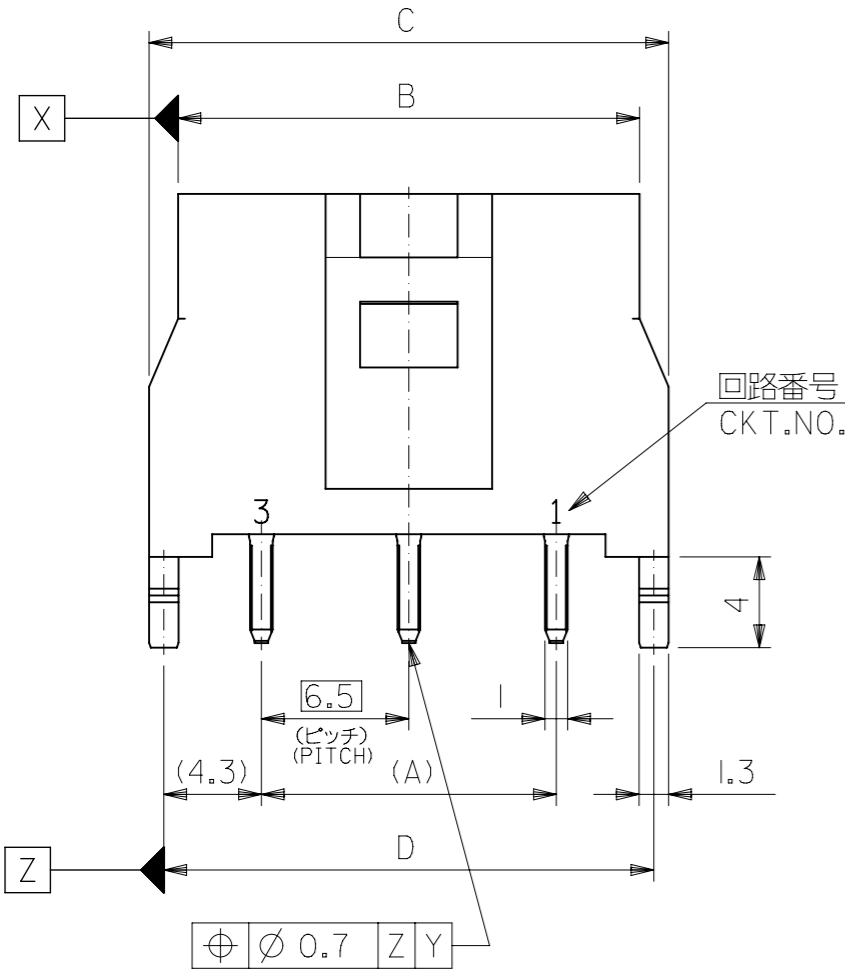


基板取り付け穴推奨寸法 (マウント面)  
(基板厚: t1.6mm)  
RECOMMENDED P.C. BOARD HOLE  
DIM. (MOUNTING SIDE)  
(THK.: t1.6mm)



ロック形状図  
LOCK CONFIGURATION



注記  
NOTES

- 1 嵌合相手: 51142シリーズ  
MATE WITH: 51142 SERIES
- 2 材質 MATERIAL  
ピン: 銅合金, ニッケル下地錫メッキ (t0.5)  
PIN: COPPER ALLOY, TIN OVER NICKEL PLATED (t0.5)  
ヘッダー: 66NYLON (ガラス入: 25%), UL94V-0  
HEADER: 66NYLON(G.F.: 25%), UL94V-0
- 3 本製品は 53721-\*\*10 の鉛フリー品である。  
THIS PRODUCT IS LEAD FREE OF 53721-\*\*10.

53721-**70	7.34	8.6	9.9	7.34	—#—	53721-0270	2
MODEL NO.	E	D	C	B	A	MATERIAL NO.	極数 CKT.

THIS DRAWING CONTAINS INFORMATION THAT IS PROPRIETARY TO MOLEX ELECTRONIC TECHNOLOGIES, LLC AND SHOULD NOT BE USED WITHOUT WRITTEN PERMISSION

角度 ANGLE 30 以上 OVER 10 以上 30 未満 OVER 30 UNDER 10 未満 UNDER 一般公差 GENERAL TOLERANCES	±3°	4 PLACES ±	±	DIMENSION UNITS: mm NTS SCALE: NTS GENERAL TOLERANCES (UNLESS SPECIFIED): MM INCH EC NO: 610661 DRWN: AKUMAR19 2018/12/06 CHK'D: GGA 2019/01/31 APPR: GGA 2019/01/31 INITIAL REVISION: DRWN: M.NABEI 2004/04/06 APPR: M.SASAO 2004/04/06 DRAFT WHERE APPLICABLE MUST REMAIN WITHIN DIMENSIONS THIRD ANGLE PROJECTION DRAWING: A3-SIZE SERIES: 53721 MATERIAL NUMBER: SEE TABLE CUSTOMER: GENERAL MARKET SHEET NUMBER: 1 OF 1
	±0.3	3 PLACES ±	±	
	±0.25	2 PLACES ±	±	
	±0.2	1 PLACE ±	±	
CURRENT REV DESC: OBSOLETE PART NO		<b>molex</b>		
PRODUCT CUSTOMER DRAWING		6.5 WIRE TO BOARD CONN. HEADER ASSY (WITH PEG) -LEAD FREE-		
DOCUMENT NUMBER: SD-53721-001		DOC TYPE: PSD		
DOC PART: 001		REVISION: A		