

(E)

NOTES:

- MATERIAL:
  - (A). SCREW: SEE LEGEND
  - (B). INSULATOR: PBT, UL94V-0
  - (C). TERMINAL: BRASS, TIN PLATED
- NUMBER OF CIRCUIT POSITIONS AVAILABLE: 2 THROUGH 15
- ELECTRICAL RATINGS:
  - (A). MAXIMUM VOLTAGE: 600V
  - (B). MAXIMUM CURRENT: 50A
  - (C). INSULATION RESISTANCE: 500MΩ PER MINUTE
  - (D). DIELECTRIC WITHSTAND VOLTAGE: 2200V AC
- WIRE RANGE: 8 TO 20 AWG (SOLID OR STRANDED COPPER)
- RECOMMENDED WIRE STRIP LENGTH: 0.32 IN. (8mm)
- SCREW TORQUE: 16 LBF. IN. (1.8Nm)
- OPERATING TEMPERATURE: -40°C TO +120°C

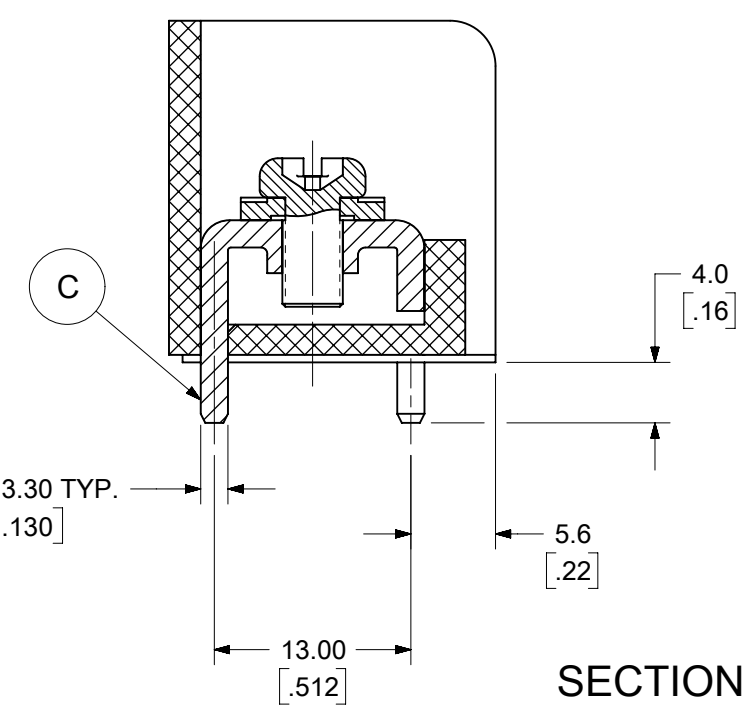
**MATERIAL NUMBER LEGEND**

389 XX X X XX

INSULATOR STYLE ——— NO. OF CIRCUITS  
 69- NO MOUNTING ENDS (02 - 15)

TERMINAL STYLE ——— SCREW STYLE  
 0 - PC TAILS 0 - M4 WITH SQUARE WASHER, STEEL, NICKEL PLATED

TERM. STYLE 0 - PC TAILS



SECTION A-A

THIS DRAWING CONTAINS INFORMATION THAT IS PROPRIETARY TO MOLEX ELECTRONIC TECHNOLOGIES, LLC AND SHOULD NOT BE USED WITHOUT WRITTEN PERMISSION									
SYMBOLS		DIMENSION UNITS		SCALE		CURRENT REV DESC: UPDATED NOTES			
▽ = 0		MM/INCH		2:1		SECTION			
▽ = 0		GENERAL TOLERANCES (UNLESS SPECIFIED)							
▽ = 0		4 PLACES ±		MM		INCH		EC NO: 632901	
▽ = 0		3 PLACES ±		---		---		DRWN: ABENJAMINLW 2020/01/14	
▽ = 0		2 PLACES ±		0.13		0.01		CHK'D: DACHAMMER 2020/02/25	
▽ = 0		1 PLACE ±		0.3		---		APPR: JFMURPHY 2020/03/09	
▽ = 0		0 PLACES ±		---		---		INITIAL REVISION:	
▽ = 0		ANGULAR TOL ±		2°		---		DRWN: CLYORK 2006/11/22	
▽ = 0		DRAFT WHERE APPLICABLE MUST REMAIN WITHIN DIMENSIONS		THIRD ANGLE PROJECTION		DRAWING		SERIES	
▽ = 0				B-SIZE		38969		MATERIAL NUMBER	
		DOCUMENT STATUS		P1		RELEASE DATE		2020/03/09 17:51:51	
		DOCUMENT NUMBER		SD-38969-001		DOC TYPE		PSD	
		CUSTOMER		GENERAL MARKET		DOC PART		001	
		SHEET NUMBER		1 OF 2		REVISION		E	

