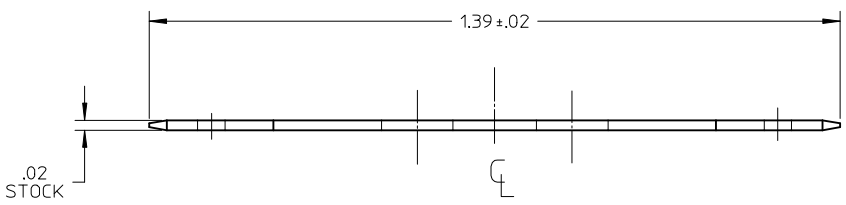
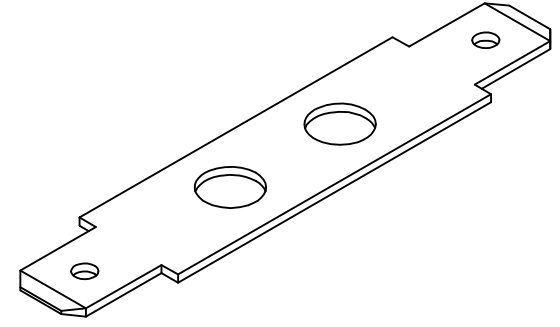
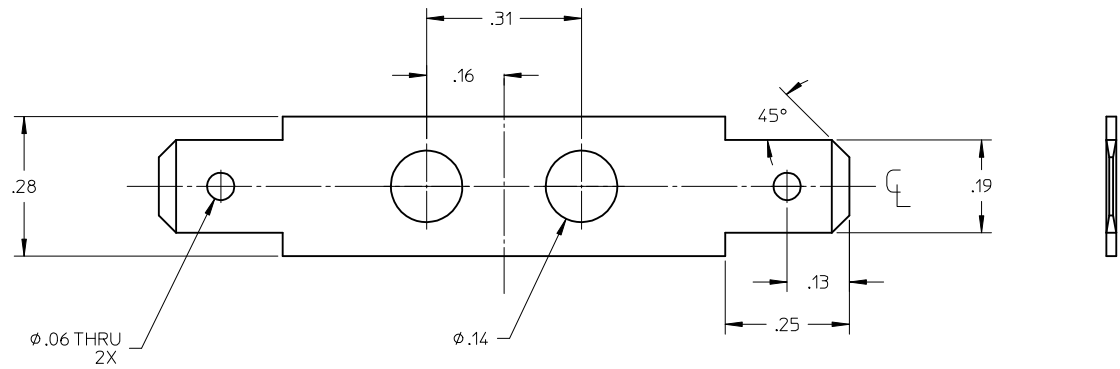


10	9	8	7	6	5	4	3	2	1
MATERIAL NO.	ENGINEERING NO.	DESCRIPTION	MATERIAL	FINISH					
380020163	1410	TERMINAL, FT FLFL	BRASS	TIN OVER COPPER PLATED					



RELEASED EC NO: IPG2016-0008 DRAWN: SVMURTHY 2015/06/30 CHKD: RSTONE 2015/06/30 APPR: JFMURPHY 2016/07/11	QUALITY SYMBOLS ▽=0 ▽=0 ▽=0	GENERAL TOLERANCES (UNLESS SPECIFIED)		DIMENSION STYLE INCH ONLY		SCALE 4:1	DESIGN UNITS INCH	THIRD ANGLE PROJECTION		
			mm	INCH	DRAWN BY SVMURTHY	DATE 2015/06/30	TITLE TERMINAL, FT FLFL			
		4 PLACES	± .005	± .005	CHECKED BY RSTONE	DATE 2015/06/30				
		3 PLACES	± .013	± .01	APPROVED BY JFMURPHY	DATE 2016/07/11				
	ANGULAR ± 2 °		MATERIAL NO.	DOCUMENT NO.	SHEET NO.					
	DRAFT WHERE APPLICABLE MUST REMAIN WITHIN DIMENSIONS		SEE CHART	SD-38002-0163	1 OF 1					
			SIZE B	THIS DRAWING CONTAINS INFORMATION THAT IS PROPRIETARY TO MOLEX INCORPORATED AND SHOULD NOT BE USED WITHOUT WRITTEN PERMISSION						