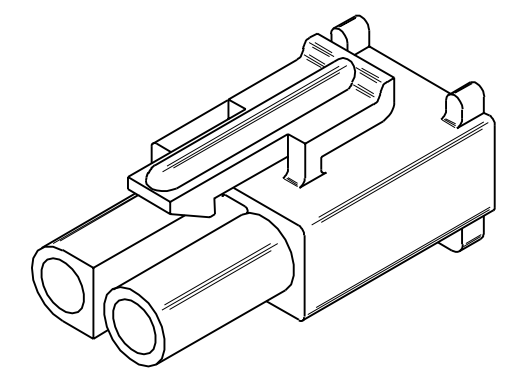
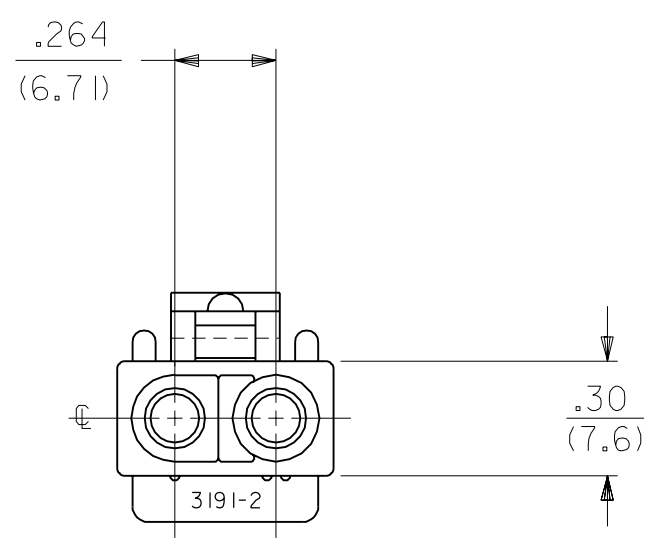
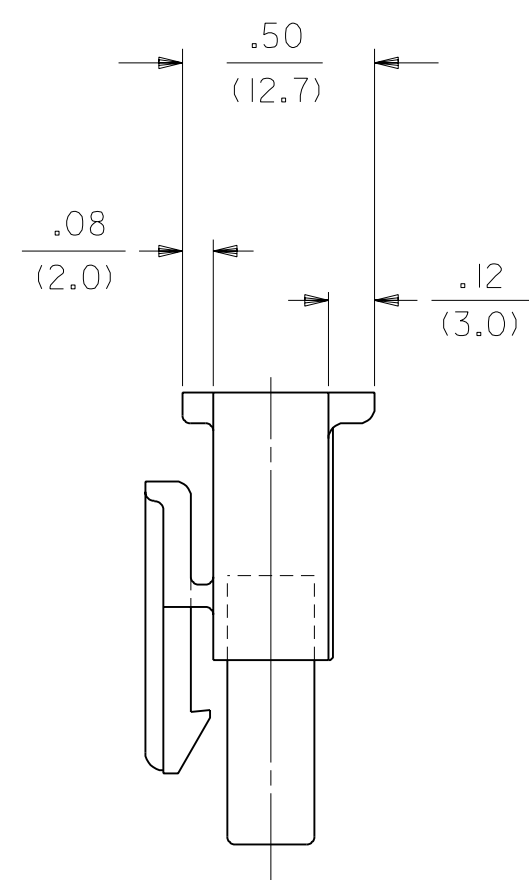
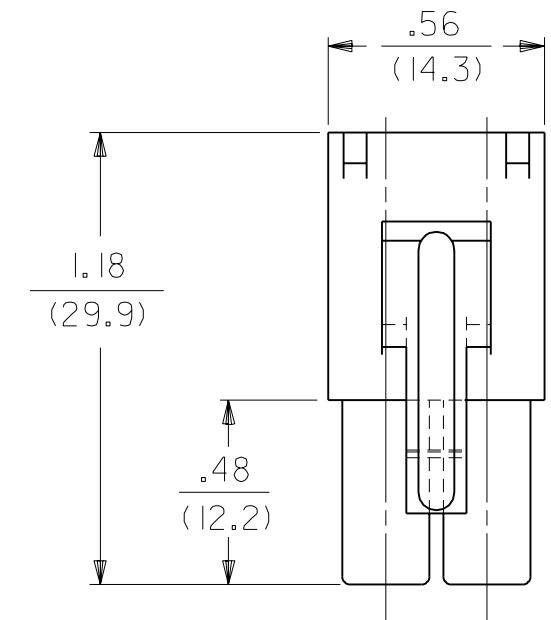
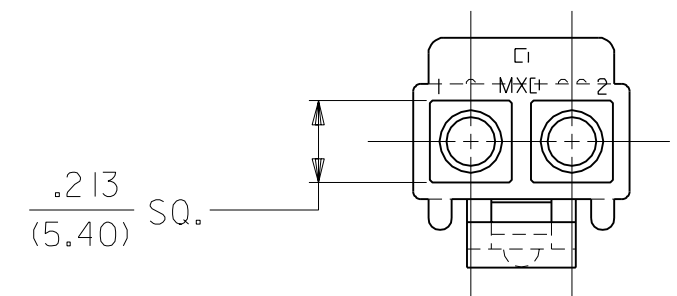


13 12 11 10 9 8 7 6 3191 4 3 2 1



RECEPTACLE

DIMENSIONS SHOWN (METRIC) INCH	
UNLESS OTHERWISE SPECIFIED TOLERANCES: ANGULAR ± 1/2°	
INCH	METRIC
3 PLACE ± .010	---
2 PLACE ± .014	± 0.25
1 PLACE ---	± 0.35

TITLE		REVISIONS	
.093/(2.36) HOUSING, PLUG AND RECEPTACLE, 2 CKT., .264/(6.70) CTRS.		REVISE ONLY ON CAD SYSTEM	
PART NO.		SHEET NO.	DATE
SD-3191-2*		2	11/21/88

DRWG. BY	GEP	CHK'D. BY	RW
APP'D. BY	RAS	SCALE	2 : 1

FILE NAME	S31912X2	DIV.	CP	SIZE	C
THIS DRAWING CONTAINS INFORMATION THAT IS PROPRIETARY TO MOLEX INC. AND SHOULD NOT BE USED WITHOUT WRITTEN PERMISSION.					

LTR.	REVISIONS	LTR.	REVISIONS
		D	SEE SHT. 1

13 12 11 10 9 8 7 6 5 4 3 2 NO P.S. 1

13	12	11	10	9	8	7	6	3191	4	3	2	1
PLUG		RECEPTACLE										
PART NO.	ENG. NO.	PART NO.	ENG. NO.									
19-09-2028	3191-2P	19-09-1029	3191-2R1									
19-09-2029	3191-2P1	19-09-1026	3191-2R1-201									
19-09-2027	3191-2P-201	19-09-1020	3191-2R1RD									
19-09-2026	3191-2P1-201	19-09-1021	3191-2R1BU									
19-09-2020	3191-2P1RD											
19-09-2021	3191-2P1BU											

**LEGEND:**

3191-2\*\*\*\*-\*

CIRCUIT SIZE

P = PLUG

R = RECEPTACLE

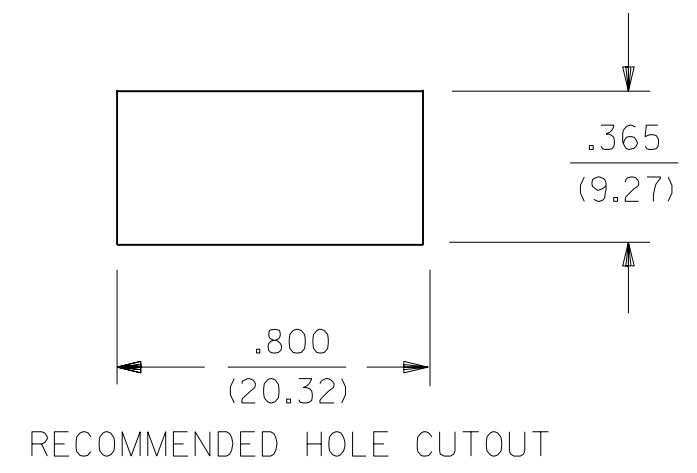
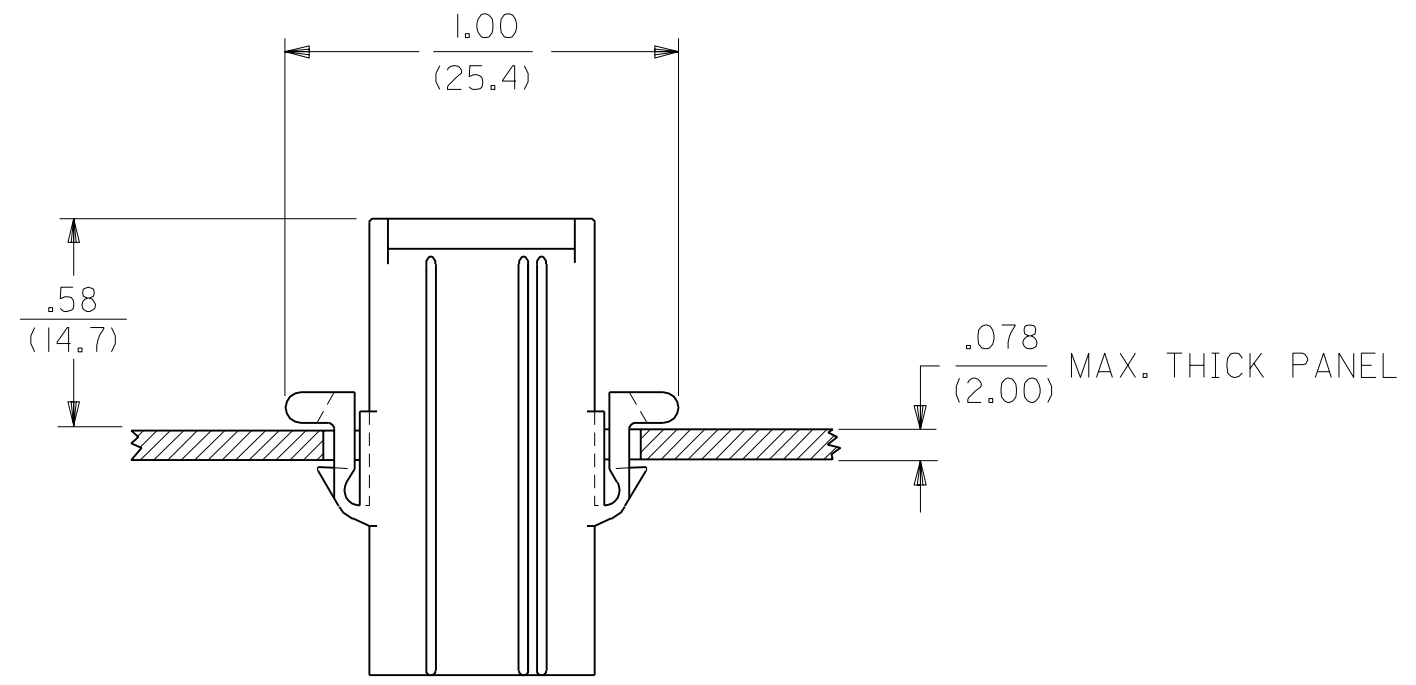
EARS: BLANK = WITH PREBENT EARS (PLUG ONLY)

I = WITHOUT EARS

COLOR: BLANK = NATURAL COLOR

AM=AMBER BK=BLACK BU=BLUE  
 BN=BROWN GY=GRAY GN=GREEN  
 OR=ORANGE RD=RED YW=YELLOW

MATERIAL: BLANK=NYLON TYPE 6/6, 94V-2  
 201=NYLON TYPE 6/6, 94V-0



NOTES:

1. THESE HOUSINGS FOR USE WITH MOLEX .093/(2.36) DIAMETER SERIES TERMINALS.

DIMENSIONS SHOWN (METRIC) INCH		▽ = 0	▼ = 0	REVISE ONLY ON CAD SYSTEM
UNLESS OTHERWISE SPECIFIED TOLERANCES: ANGULAR ± 10°		TITLE		
		.093/(2.36) HOUSINGS PLUG AND RECEPTACLE 2 CKT., .264/(6.70) CTRS.		
		MOLEX INCORPORATED SHEET NO. 3 DATE 11/21/88		
		LITSLIE, ILL. 60532 U.S.A.		
		PART NO. SD-3191-2*		
		SEE CHART		
		FILE NAME S31912X3 DGN		
		THIS DRAWING CONTAINS INFORMATION THAT IS PROPRIETARY TO MOLEX INC. AND SHOULD NOT BE USED WITHOUT WRITTEN PERMISSION.		
		DIV. CP C		
DRWG. BY: GEP	CHK'D. BY: RW			
APP'D. BY: RAS	SCALE: ---:---			
LTR.	REVISIONS	LTR.	REVISIONS	
		E2	SEE SHEET I	
		E1	SEE SHEET I	
		E	SEE SHEET I	
		D	SEE SHEET I	